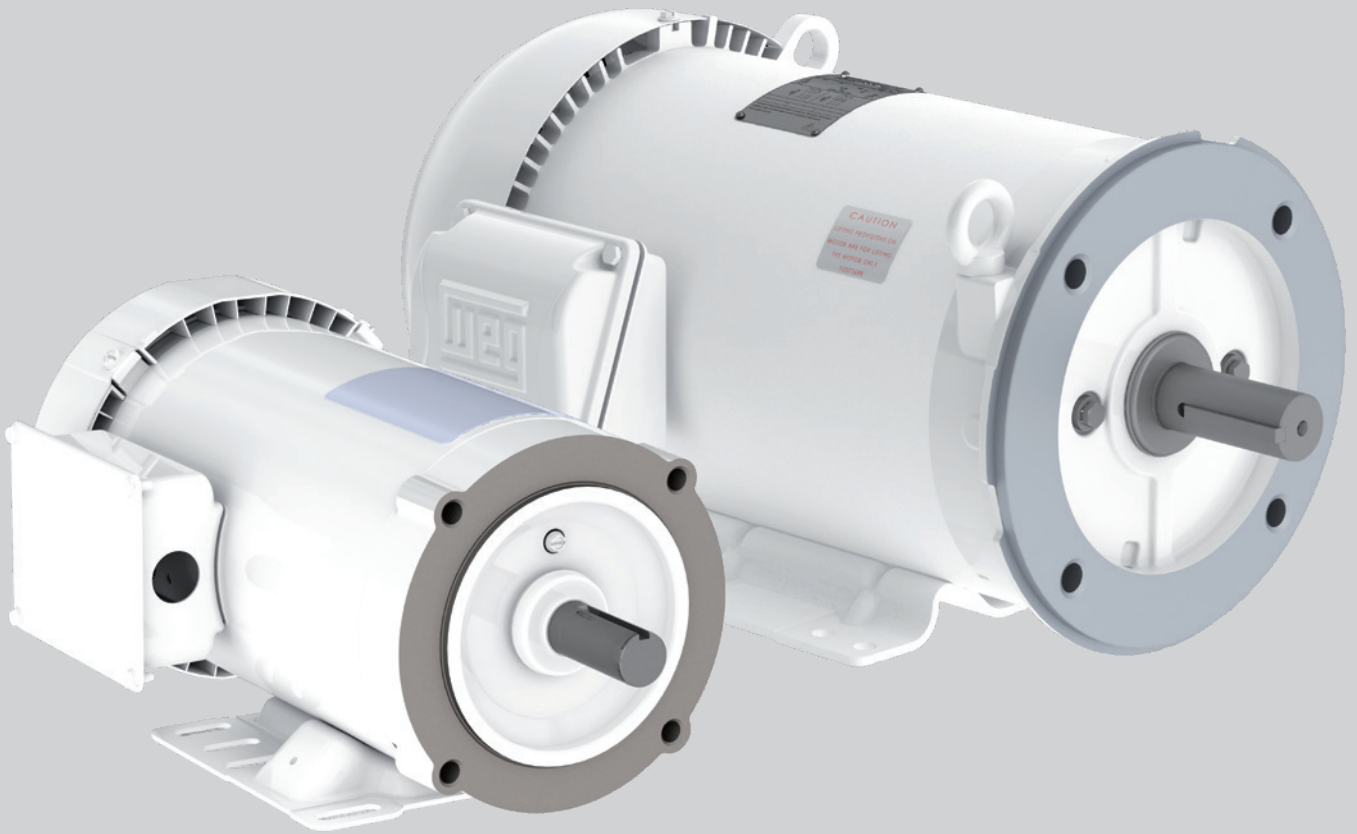


Hydrowash

Fractional and Integral
Horse Power Motors



Motors | Automation | Energy | Transmission & Distribution | Coatings

HYDROWASH™

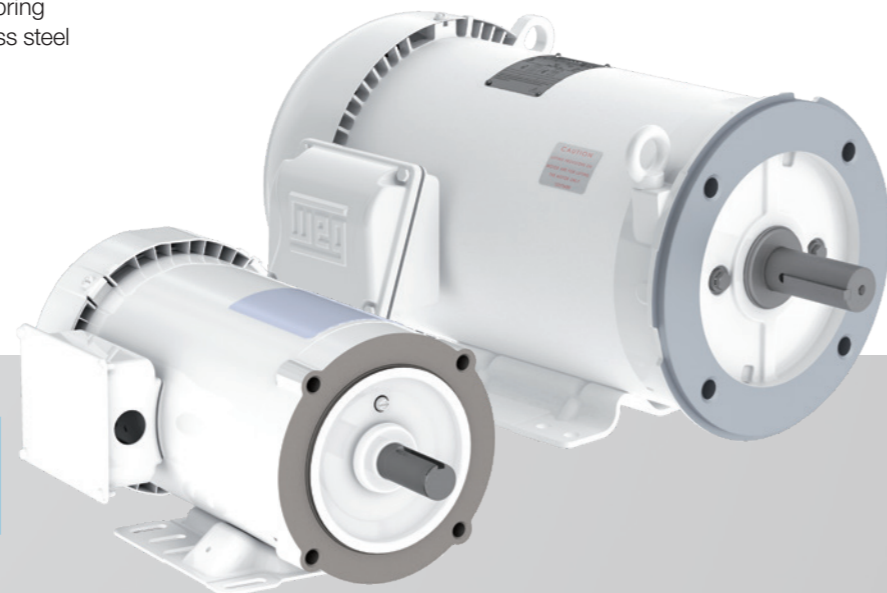
The Washdown line was designed to meet the requirements of industries where there is a constant need for hygiene and cleanliness of the environment through high pressure water jets and/or chemical products. Washdown motors are applied in food, beverage and pharmaceutical industries.

Standard Features

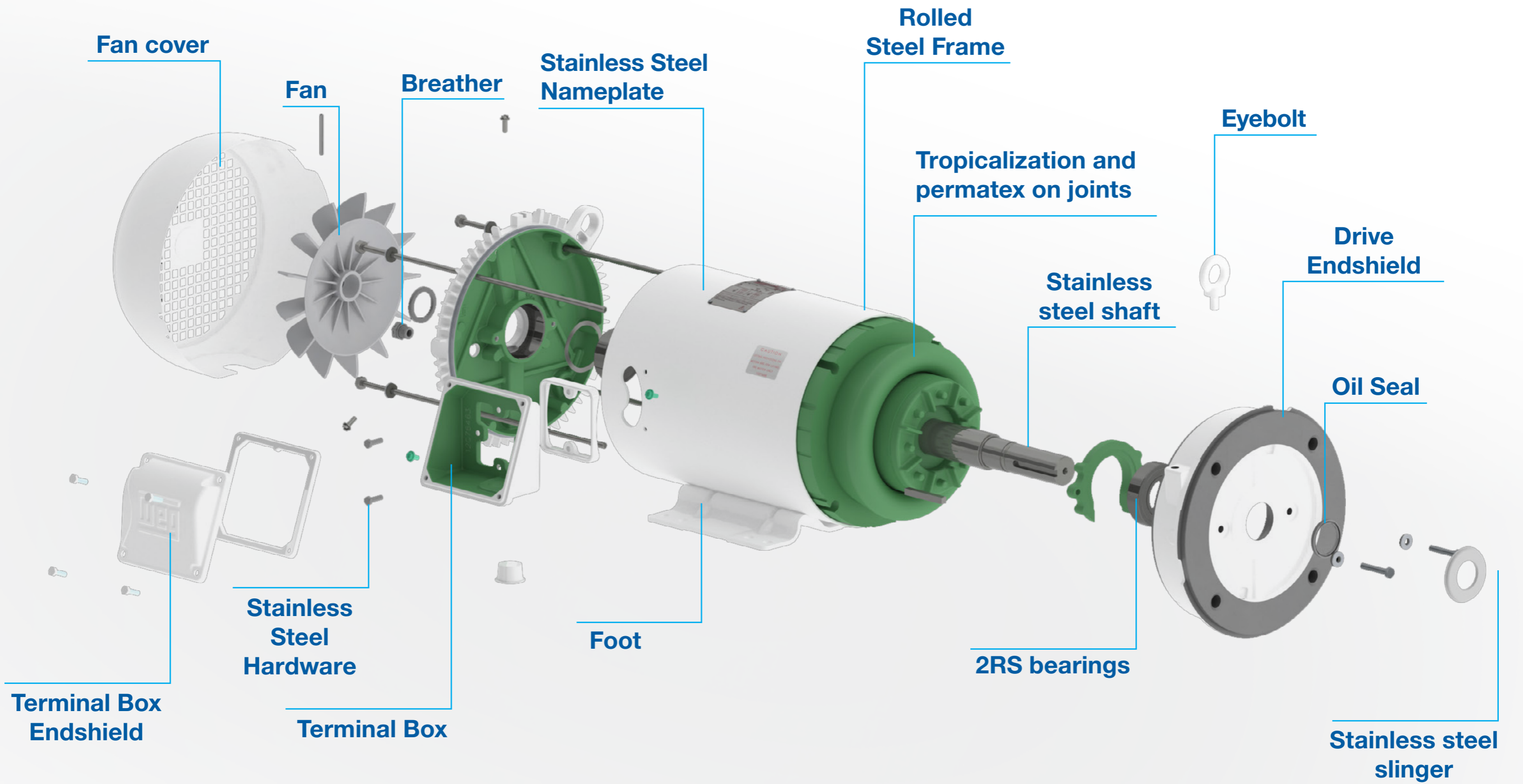
- Output: 1/2 up to 25 HP
- Frames: 56 up to 254/6T
- Number of poles: 2 up to 6
- Certification CSA/UL
- Efficiency: NEMA Standard and NEMA Premium
- Voltage:
 - Frames 56 and 145T - 208-230/460 V with 9 leads
 - Frames 182/4T and 213/5T - 208-230/460//190-220/380-415 V with 9 leads
 - Frames 254/6T - 208-230/460//190-220/380-415 V with 12 leads
- Service factor: 1.15
- Mounting: F-1
- Insulation class "F" (ΔT 80 K)
- Degree of protection: IP56
- Shaft material: Stainless Steel (AISI 304)
- Bearing type: Shielded (2RS)
- Permatex on joints for frames 182/4T and above
- Viton O'Ring on joints for frames 56 and 145T
- Color: Porcelain White - Munsell N 9.5
- Coating NOBAC® for frames 180 and above
- Internal painting: Tropicalized (Epoxy for frames 180 and above)
- Breather on non drive endshield
- Vibration: Grade A
- Drive end bearing seal:
 - Frames 56 and 145T - Oil seal stainless steel spring + slinger (stainless steel)
 - Frames from 182/4T and above - Oil seal stainless steel spring + slinger (stainless steel)
- Non drive end bearing seal:
 - Frames 56 and 145T - Oil seal stainless steel spring
 - Frames from 182/4T and above - Oil seal stainless steel
- Type of grease: Mobil Polyrex EM
- Fan material: plastic
- Aluminium flanges
- Terminal box material: Aluminium
- External screws and key: Stainless Steel

Optionals

- Other mountings
- Voltage: 575 V with 6 leads
- Space heaters
- Thermal protection
- Cable glands
- Threaded center hole (shaft)
- Vibration: Grade B
- SGR shaft grounding ring (Inverter use)
- Shaft material: Stainless Steel (AISI 316)



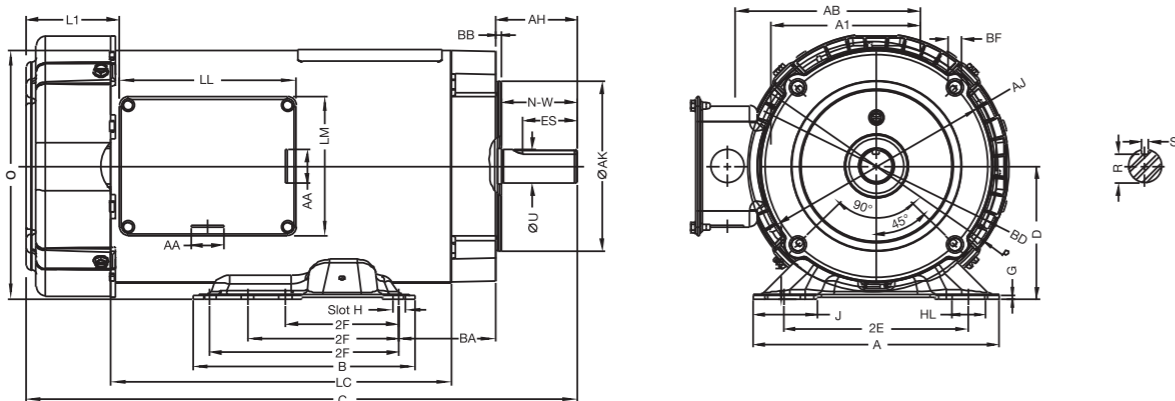
Details for IHP motors - frames 180-250



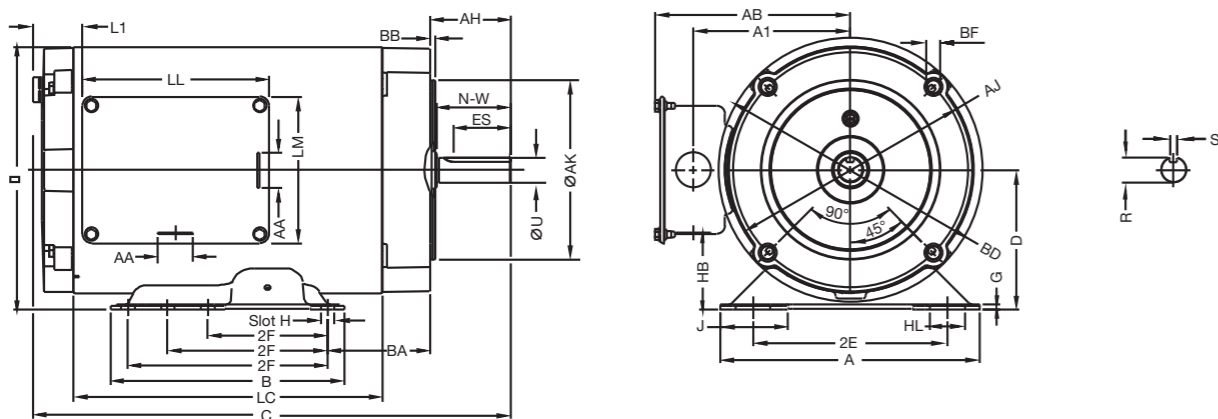
Mechanical Data

(Dimensions in inches)

TEFC - Frames 56 and 143



TENV - Frames 56 and 143

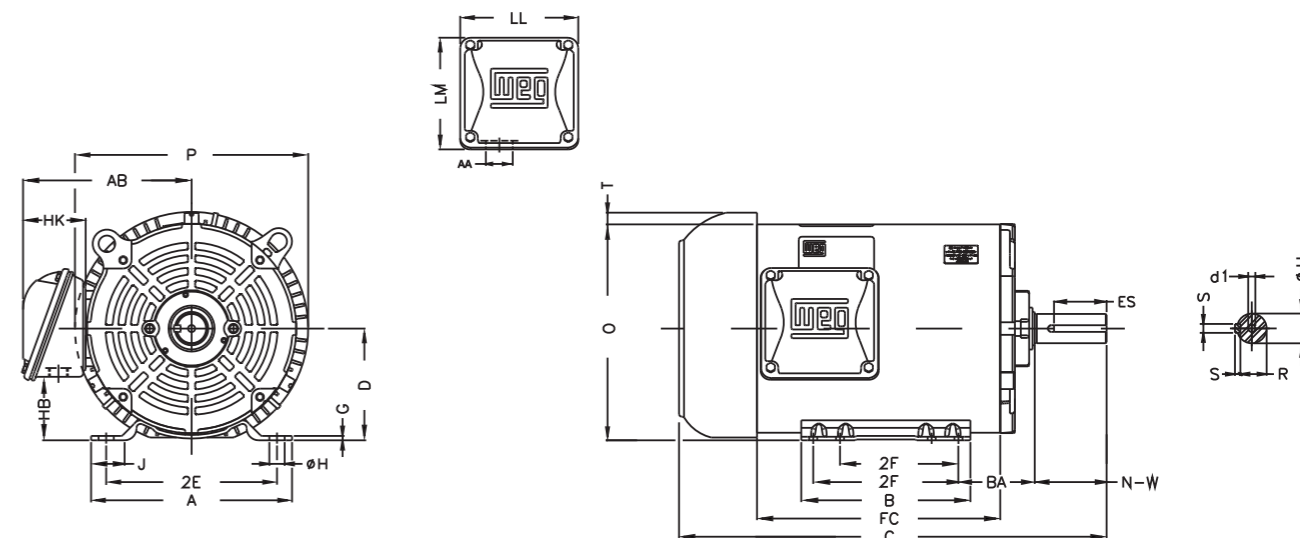


TEFC and TENV - Frames 56 and 143

Cooling Method	Foot	Power (HP)	Frame	Flange	C	LC	2E	J	A	P	AB	2F	B	BA	Shaft end					D	
															U	N-W	ES	R	S		
TEFC	With	1.5	56HCZ	FC-149	14.44	9	4.88	1.69	6.5	6.98	4.89	3.0/5.0	5.87	2.57	0.625	1.85	1.43	0.51	0.187	3.5	
		2	143/5TCZ		4.0/5.0																
		1.5	56HCZ		0.625																
	Without	1.5	56HCZ		14.44							0.625									1.85
		2	143/5TCZ		14.56							0.875									2
		2	143/5TCZ		14.56							0.875									2
TENV	With	0.5	56HCZ	10.22	6	4.88	1.69	6.5	-	4.89	3.0/5.0	5.87	2.57	0.625	1.85	1.43	0.51	0.187	3.5		
		0.75	56HCZ	10.97	6.75																
		1	143/5TCZ	11.97	7.75																
	Without	0.5	56HCZ	10.22	6						0.625									1.85	
		0.75	56HCZ	10.97	6.75						0.625									1.85	
		1	143/5TCZ	11.97	7.75						0.625									1.85	

Cooling Method	Foot	Power (HP)	Frame	G	HB	O	L1	A1	Slot H	HL	LL	LM	AA	BA	AJ	AK	BB	BD	BF	AH															
																					TEFC	With	1.5	56HCZ	0.098	1.9	6.58	2.46	3.94	0.34	0.88	4.67	3.67	0.88	2.74
2	143/5TCZ	2.71	2.14																																
Without	1.5	56HCZ	2.02																																
2	143/5TCZ	2.14	2.14																																
TENV	With	0.5	56HCZ	0.098	1.9	6.58	1.23	3.94	0.34	0.88	4.67	3.67	0.88	2.74	5.875	4.5	0.13	6.61	UNC 3/8"x16-2B	2.02															
0.75	56HCZ	2.71	2.14																																
Without	0.5	56HCZ	2.02																																
1	143/5TCZ	2.14	2.14																																

TEFC - Frames 182 to 254

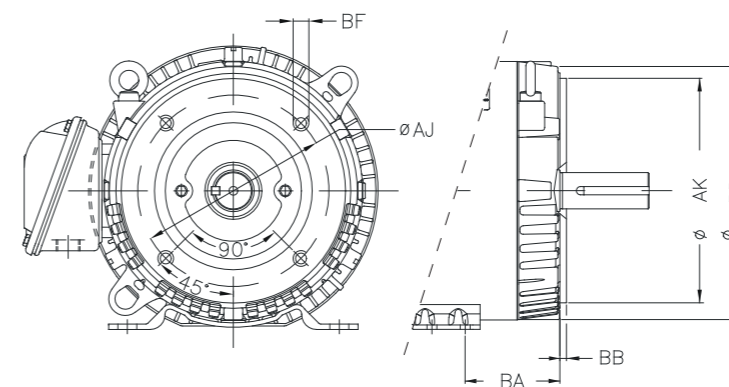


TEFC - Frames 182 to 254

Power (HP)	Frame	2E	J	A	P	AB	2F	B	BA	Shaft end					
										U	D1	N-W	ES	R	S
1.5	182/4T	7.500	1.299	8.661	9.435	6.693	4.508/5.492	6.299	2.750	1.125	A 3,15	2.750	1.969	0.984	0.250
2															
3	213/5T	8.500	1.575	9.449	10.965	7.972	5.492/7.008	7.953	3.500	1.375	A 4	3.380	2.480	1.203	0.313
5	182/4T	7.500	1.299	8.661	9.435	6.693	4.508/5.492	6.299	2.750	1.125	A 3,15	2.750	1.969	0.984	0.250
	213/5T	8.500	1.575	9.449	10.965	7.972	5.492/7.008	7.953	3.500	1.375	A 4	3.380	2.480	1.203	0.313
7.5	254/6T	10.000	1.693	11.417	13.180	9.449	8.248/10.000	11.417	4.250	1.625		A 4	4.000	2.756	1.416
	213/5T	8.500	1.575	9.449	10.965	7.972	5.492/7.008	7.953	3.500	1.375	3.380		2.480	1.203	0.313
10	254/6T	10.000	1.693	11.417	13.180	9.449	8.248/10.000	11.417	4.250	1.625	A 4	4.000	2.756	1.416	0.375
15															
20															
25															

Power (HP)	Frame	D	G	HB	O	HK	Hole H	LL	LM	AA	T	C	LC
2	17.126	9.449											
3	213/5T	5.250	0.167	2.972	10.144	3.031	0.406	5.551	5.256	1.377"	0.761	16.339	8.661
	182/4T	4.500	0.167	2.776	8.557	2.638	0.406	4.547	4.114	1.118"	0.661	17.913	10.236
5	213/5T	5.250	0.167	2.972	10.144	3.031	0.406	5.551	5.256	1.377"	0.761	19.291	10.630
	182/4T	4.500	0.167	2.776	8.557	2.638	0.406	4.547	4.114	1.118"	0.661	17.913	10.236
7.5	254/6T	6.250	0.187	3.622	12.010	3.642	0.530	6.299	6.024	1.732"	0.830	20.079	11.417
	213/5T	5.250	0.167	2.972	10.144	3.031	0.406	5.551	5.256	1.377"	0.761	18.898	10.236
10	254/6T	6.250	0.187	3.622	12.010	3.642	0.530	6.299	6.024	1.732"	0.830	22.559	12.992
	213/5T	5.250	0.167	2.972	10.144	3.031	0.406	5.551	5.256	1.377"	0.761	21.654	10.630
15	254/6T	6.250	0.187	3.622	12.010	3.642	0.530	6.299	6.024	1.732"	0.830	23.346	13.780
20												22.559	12.992
25												23.346	13.780

Flange - TEFC - General Purpose - Frames 182 to 254



Frame	BA	Flange					
		AJ	AK	BB	BD	BF	AH
182/4T	4.500	0.167	2.776	8.557	2.638	0.406	4.547
213/5T	5.250		2.972	10.144	3.031	0.406	5.551
254/6T	6.250	0.187	3.622	12.010	3.642	0.530	6.299

Note: C and LC dimensions depend on the output power and number of poles and are shown on the electrical data tables.

WEG Worldwide Operations

ARGENTINA

San Francisco - Cordoba
Phone: +54 3564 421484
info-ar@weg.net

Cordoba - Cordoba
Phone: +54 3514 641366
weg-morbe@weg.com.ar

Buenos Aires
Phone: +54 1142 998000
ventas@pulverlux.com.ar

AUSTRALIA

Scoresby - Victoria
Phone: +61 3 97654600
info-au@weg.net

AUSTRIA

Markt Piesting - Wiener
Neustadt-Land
Phone: +43 2 633 4040
watt@wattdrive.com

Vienna
Phone: +43 1 796 2048
wtr@weg.net

BELGIUM

Nivelles - Belgium
Phone: +32 67 888420
info-be@weg.net

BRAZIL

Jaraguá do Sul - Santa Catarina
Phone: +55 47 32764000
info-br@weg.net

CHILE

Pudahuel, Santiago
Phone: +56 2 27848900
info-cl@weg.net

CHINA

Nantong - Jiangsu
Phone: +86 513 85989333
info-cn@weg.net

Changzhou - Jiangsu
Phone: +86 519 88067692
info-cn@weg.net

Rugao - Jiangsu
Phone: +86 513 80672011
zhuhua@weg.net

COLOMBIA

San Cayetano - Bogota
Phone: +57 1 4160166
info-co@weg.net

Sabaneta - Antioquia
Phone: +57 4 4449277
info-co@weg.net

ECUADOR

Pradera - Quito
Phone: +593 2 3 922 129
wegecuador@weg.net

FRANCE

Saint-Quentin-Fallavier - Isère
Phone: +33 4 74991135
info-fr@weg.net

GERMANY

Türnich - Kerpen
Phone: +49 2237 92910
info-de@weg.net

Balingen - Baden-Württemberg
Phone: +49 7433 90410
info@weg-antriebe.de

Nuremberg
Phone: +49 911 239568 -700
info@tgmkanis.com

Homburg (Efze) - Hesse
Phone: +49 5681 99520
info@akh-antriebstechnik.de

GHANA

Accra
Phone: +233 30 2766490
ghana@zestweg.com

INDIA

Bangalore - Karnataka
Phone: +91 080 46437450
info-in@weg.net

Hosur - Tamil Nadu
Phone: +91 4344 301577
info-in@weg.net

ITALY

Cinisello Balsamo - Milano
Phone: +39 2 61293535
info-it@weg.net

JAPAN

Yokohama - Kanagawa
Phone: +81 45 5503030
info-jp@weg.net

MALAYSIA

Shah Alam - Selangor
Phone: +60 3 78591626
info@wattdrive.com.my

MEXICO

Huehuetoca - Mexico
Phone: +52 55 53214275
info-mx@weg.net

Tizayuca - Hidalgo
Phone: +52 77 97963790
info-mx@weg.net

NETHERLANDS

Oldenzaal - Overijssel
Phone: +31 541 571080
info-nl@weg.net

PERU

La Victoria - Lima
Phone: +51 1 2097600
info-pe@weg.net

PORTUGAL

Maia - Porto
Phone: +351 22 9477700
info-pt@weg.net

RUSSIA and CIS

Saint Petersburg
Phone: +7 812 363 2172
sales-wes@weg.net

SOUTH AFRICA

Johannesburg
Phone: +27 (0) 11 7236000
info@zestweg.com

Cape Town
Phone: +27 (0) 21 507 7200
gentsets@zestweg.com

Heidelberg
Phone: +27 (0) 16 349 2683/4/5
wta@zestweg.com

SPAIN

Coslada - Madrid
Phone: +34 91 6553008
info-es@weg.net

Valencia
Phone: +34 96 1379296
info@autrial.es

SINGAPORE

Singapore
Phone: +65 68589081
info-sg@weg.net

Singapore
Phone: +65 68622220
info-sg@weg.net

SCANDINAVIA

Mölnlycke - Sweden
Phone: +46 31 888000
info-se@weg.net

UK

Redditch - Worcestershire
Phone: +44 1527 513800
info-uk@weg.net

UNITED ARAB EMIRATES

Jebel Ali - Dubai
Phone: +971 4 8130800
info-ae@weg.net

USA

Duluth - Georgia
Phone: +1 678 2492000
info-us@weg.net

Bluffton - Indiana
Phone: +1 800 5798527
info-us@weg.net

Minneapolis - Minnesota
Phone: +1 612 3788000
info-us@weg.net

Washington - Missouri
Phone: +1 636-239-9300
wegwill@weg.net

VENEZUELA

Valencia - Carabobo
Phone: +58 241 8210582
info-ve@weg.net

For those countries where there is not a WEG own operation, find our local distributor at www.weg.net.



WEG Group - Motors Business Unit
Bluffton, Indiana, USA
Phone: +1 800 5798527
info-us@weg.net
www.weg.net

