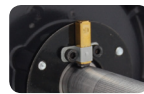




ALUMINUM SERIES

1/3 - 3 HP, Premium Efficient, Three Phase (TEFC)



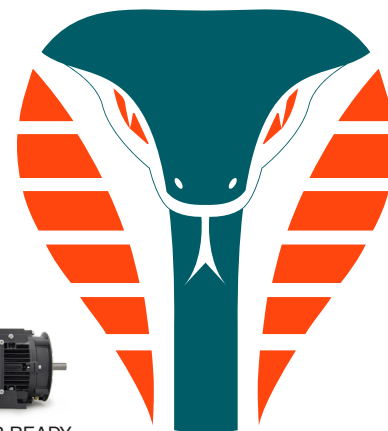
✓ SHAFT GROUNDING



✓ BRAKE READY



✓ ENCODER READY



SPECIFICATIONS

Basic Specifications

- NEMA Premium Efficiency
- Power Ratings from 0.33 to 3 HP
- Three Phase, 2 and 4 Pole
- 60 Hz (50 Hz Capable)
- 230/460V 60 Hz (Usable @ 208V)
- Totally Enclosed Fan Cooled (TEFC)

Operating Parameters

- Continuous (S1) Duty
- Ambient Temperatures up to 40°C
- Installation up to 3300ft

Ingress Protection

- IP 55

Inverter and Insulation Rating

- Inverter Rated 15:1 Constant Torque (1.0 S.F. on VFD Power) per NEMA MG 1 Part 31
- Class F Insulation
- Designed to Class B temperature rise
- Vacuum Pressure Impregnated Stator



MOTOR FEATURES

Motor Features

- Shaft Grounding Brush Installed
- Fully Epoxy Potted Conduit Box Entry
- Stainless Steel Anti-Corrosion Fan Cover
- Brake Kit Ready, Encoder installation available
- PTC Thermal Protection Installed
- Multi-mount Removable feet F1, F2, F0 convertible
- 1.25 Service Factor with 60Hz TEFC operation
- Conduit Box 90° rotatable
- Full Die-Cast Aluminum Frame
- Anti-microbial (tropicalization) coating on stator
- Over sized shielded bearings

- Viton -Double Lip Shaft Seal
- TENV Capable at 1.0 SF
- 1045 steel shaft
- Stainless steel nameplate
- Corrosion resistant Blue Zinc hardware
- Class 1, Division II, Groups A, B, C and D compliant

Surface Finish

- Powder Coated RAL7024 - Graphite Gray

Warranty

- 36 Months from date of purchase

COBRA Line Aluminum Series

1/3 - 3 HP, Premium Efficient, Three Phase (TEFC)



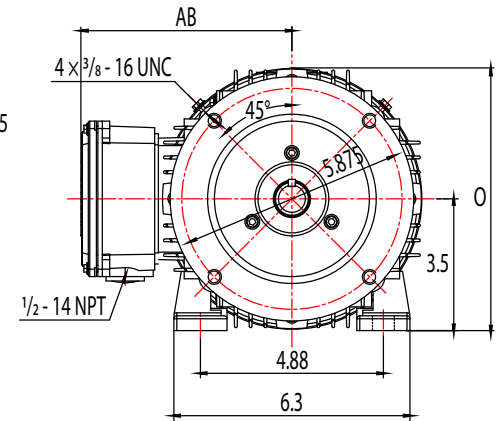
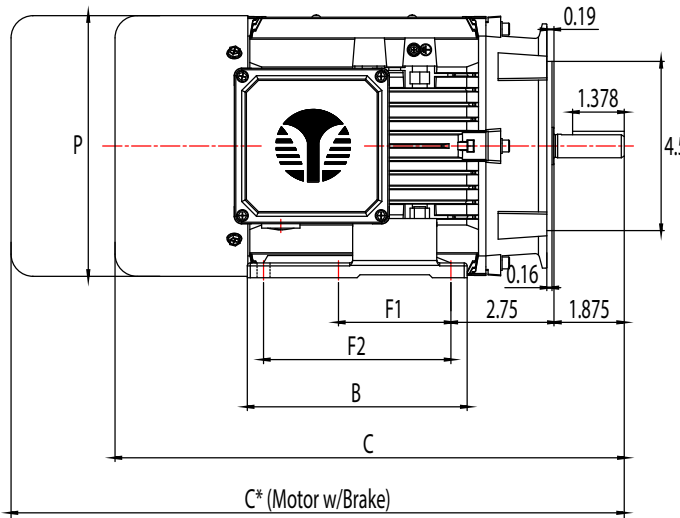
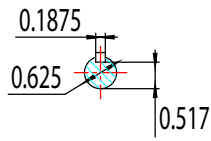
PURCHASING DATA

HP	Model	Sync. RPM	NEMA Frame	Full Load Current I_L (A)		Full Load Eff. (%)	Encl.	Weight (lbs.)	"C" Dim. Inches	List Price	
				230V	460V					Rigid	C-Face
1/3	CB3-AL-TF-56C-2-B-D-.33	3600	56C	1.24	0.62	72	TEFC	14.9	11.5	—	\$318
	CB3-AL-TF-56C-4-B-D-.33	1800	56C	1.34	0.67	74	TEFC	15.8	11.5	—	\$309
1/2	CB3-AL-TF-56C-2-B-D-.5	3600	56C	1.74	0.87	74	TEFC	15.5	11.5	—	\$334
	CB3-AL-TF-56C-4-B-D-.5	1800	56C	1.80	0.90	78.5	TEFC	17.7	11.5	—	\$325
3/4	CB3-AL-TF-56C-2-B-D-.75	3600	56C	2.40	1.20	77	TEFC	17.1	11.5	—	\$356
	CB3-AL-TF-56C-4-B-D-.75	1800	56C	2.50	1.25	78.5	TEFC	20.2	11.5	—	\$353
1	CB3-AL-TF-56C-2-B-D-1	3600	56C	3.10	1.55	79	TEFC	18.2	11.5	—	\$373
	CB3-AL-TF-56C-4-B-D-1	1800	56C	3.18	1.59	85	TEFC	25.7	11.5	—	\$399
1.5	CB3-AL-TF-56C-2-B-D-1.5	3600	56C	3.90	1.95	84	TEFC	24.1	11.5	—	\$390
	CB3-AL-TF-56HC-4-B-D-1.5	1800	56C	4.26	2.13	86.5	TEFC	34.5	13.6	—	\$501
2	CB3-AL-TF-56C-2-B-D-2	3600	56C	5.24	2.62	85.5	TEFC	26.5	11.5	—	\$416
	CB3-AL-TF-56HC-4-B-D-2	1800	56C	5.72	2.86	85.5	TEFC	39.5	13.6	—	\$548
3	CB3-AL-TF-56HC-2-B-D-3	3600	56C	7.26	3.63	86.5	TEFC	38.0	13.6	—	\$578

*Call for models not listed.

COBRA DIMENSIONS

	56C	56HC
AB	5.2	5.65
B	3.95	5.9
C	11.5	13.6
F1	3	3
F2	N/A	5
O	6.65	7
P	6.2	6.95
C*	14.15	15.95



BRAKE KITS

Spring-applied Electromagnetic Brakes

- Spring-applied and dry-friction electromagnetic Brakes
- Release when energized and Braking when power cut off
- Kit includes: Brake, Rectifier, Chrome Fan Cover, Shaft Extension



Size	NEMA Frame	Holding Torque	6 Pole Full Wave Rectifier Voltage	List Price	
				Kit	Installed
BRK56-12-VVV	56	12 NM (8.85 ft-lbs)	*230=208V/230V 460=460V 575=575V	\$365	\$650
BRK56H/140-23-VVV	56H/140T	23 NM (16.96 ft-lbs)		\$450	\$735

"VVV" = AC Voltage Input
* = Ship Standard