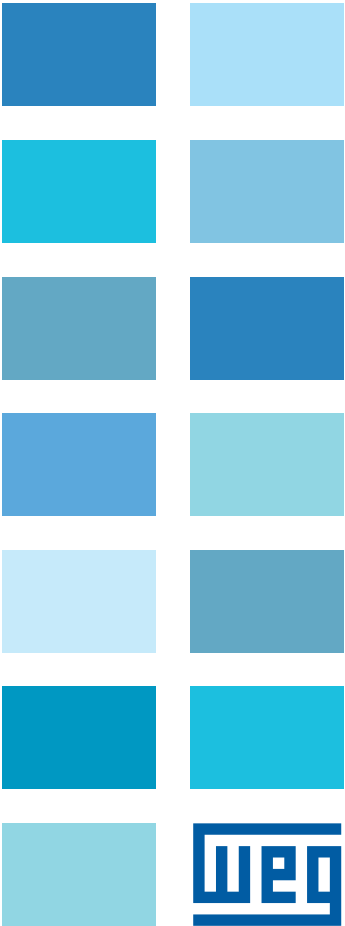
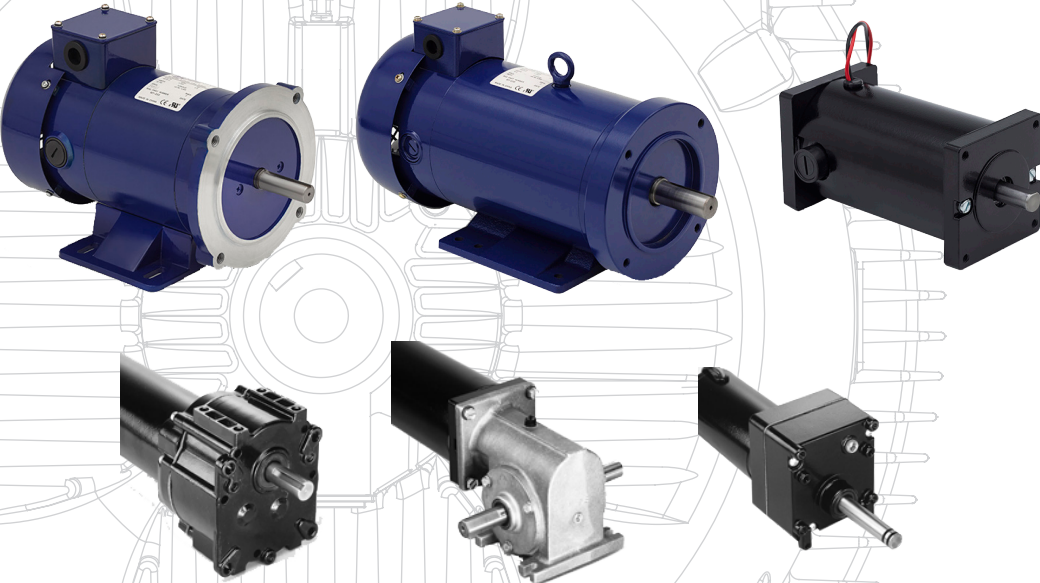


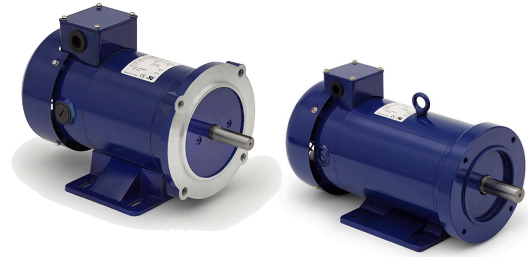
DC Motors and Gearmotors

Permanent Magnet DC Motors
Parallel Shaft Gearmotors
Right Angle Gearmotors



NEMA 56 PMDC Motors

- UL recognized Also CE and RoHs listed.
- Replaceable brushes
- ¼ Hp thru ½ Hp ratings have a 4.45" frame/tube OD
- ¾ Hp and 1.0 Hp ratings have a 4.85" frame/tube OD.
- Optional Low Voltage (12v or 24V), or TENV Enclosed



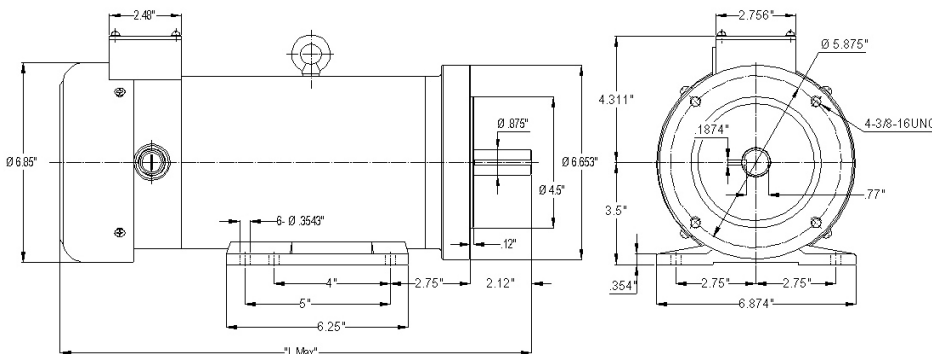
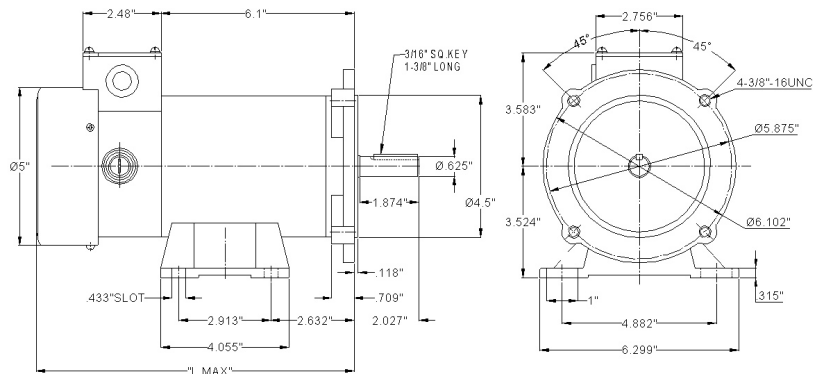
Catalog Number	HP	Voltage	Current	Speed	INSUL Class	Torque	L Max	List Price	Multiplier
			(Amp)	(RPM)		(In/lbs)	(inches)		
MT-031	0.25	90	2.9	1750	F	9	9.63	\$516	DC1
MT-041	0.25	180	1.39	1750	F	9	9.63	\$516	DC1
MT-033	0.33	90	3.7	1750	F	12	9.63	\$563	DC1
MT-042	0.33	180	1.85	1750	F	12	9.63	\$563	DC1
MT-032	0.5	90	5.3	1750	F	18	10.24	\$644	DC1
MT-043	0.5	180	2.78	1750	F	18	10.24	\$644	DC1
MT-035	0.75	90	7.8	1750	F	27	11.67	\$791	DC1
MT-044	0.75	180	3.9	1750	F	27	11.67	\$791	DC1
MT-034	1	90	10.4	1750	F	36	13.05	\$930	DC1
MT-037	1	180	5.2	1750	F	36	13.05	\$930	DC1

NEMA 145TC PMDC Motors

- Optional 90V ratings for both 1.5 Hp and 2.0 Hp ratings

Catalog Number	HP	Voltage	Current	Speed	INSUL Class	Torque	L Max	List Price	Multiplier
			(Amp)	(RPM)		(In/lbs)	(inches)		
MT-038	1.5	180	8	1750	F	54	15.6	\$1,151	DC1
MT-039	2	180	9.5	1750	F	72	16.5	\$2,093	DC1
MT-040	3	180	14	1750	F	108	18.7	\$2,930	DC1

NEMA 56 Dimensions



NEMA 145TC Dimensions

M1600

The M1600 Series Permanent Magnet Motor features a compact 2.375" diameter design that provides continuous duty torque ratings.

Features

- High Energy Ceramic Magnets
- Double Shielded Ball Bearings
- Dynamically Balanced Armature
- Reversible Design
- 36" Cord
- TENV Design
- Square End Bells
- Externally Replaceable Brushes
- Auto-Hook Tang Type Commutator
- Optional Sleeve Bearings
- Value added options and modifications available
- 1/30 hp up to 1/8 hp
- Speeds up to 5000 rpm
- 12 up to 115 VDC
- 0.312" Maximum Shaft Diameter
- 1.00" Standard Pilot Diameter
- Class "F" Insulation



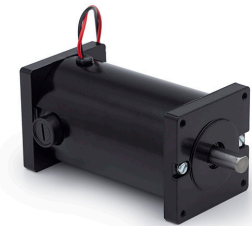
Catalog Number	Hp	Voltage	RPM	FLA	List Price	Multiplier
MH1601	1/20	90	1800	.61	\$258	DC1
ML1601	1/20	12	1800	4.50	\$228	DC1

M4000

The M4000 Series Permanent Magnet Motor offers the design engineer a great deal of flexibility in a 3.12" diameter motor. Continuous duty torque rating.

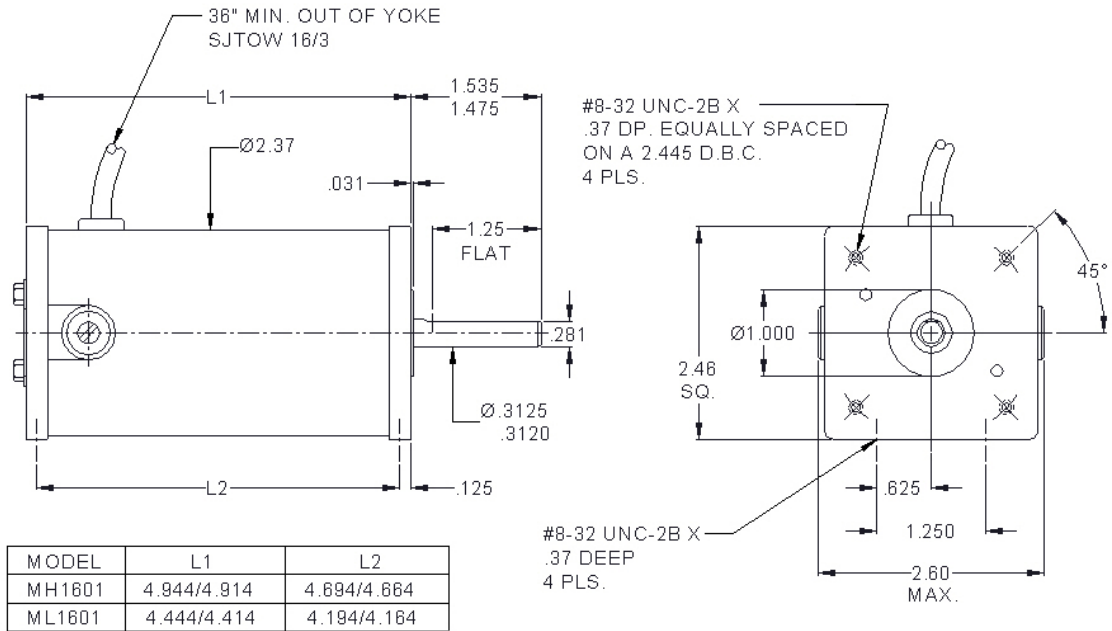
Features

- High Energy Ceramic Magnets
- Double Shielded Ball Bearings
- Dynamically Balanced Armature
- Reversible Design
- 36" Cord
- TENV Design
- Square End Bells
- Externally Replaceable Brushes
- Auto-Hook Tang Type Commutator
- Value added options and modifications available (1/30 hp up to 1/4 hp)
- Speeds up to 3500 rpm
- 12 up to 180 VDC
- 0.500" Maximum Shaft Diameter
- 2.015" Standard Pilot Diameter
- Class "F" Insulation

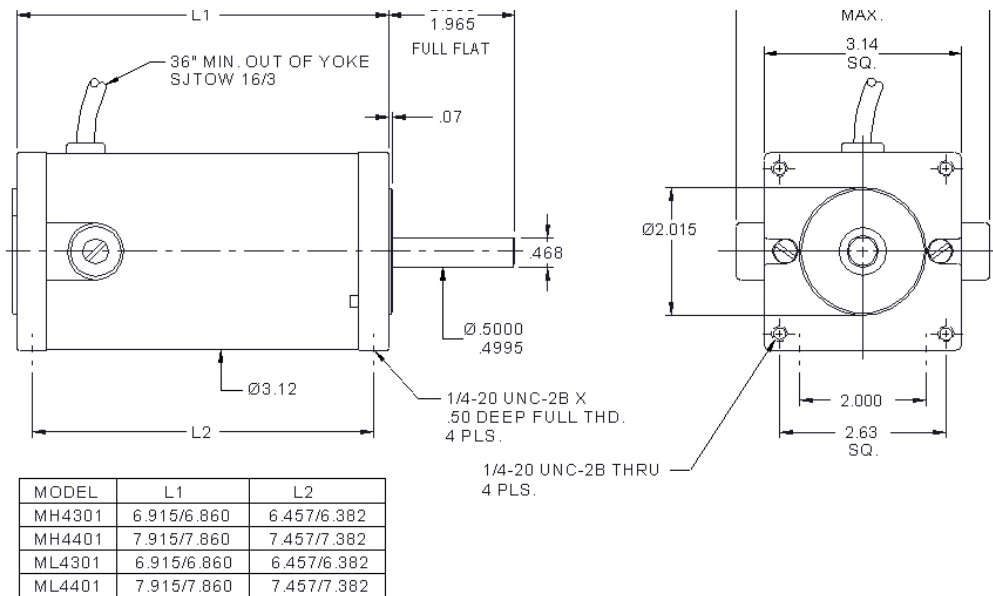


Catalog Number	Hp	Voltage	RPM	FLA	List Price	Multiplier
MH4301	1/8	90	1800	1.30	\$337	DC1
MH4401	1/6	90	1800	1.80	\$344	DC1
ML4301	1/8	12	1800	10.20	\$351	DC1
ML4401	1/6	12	1800	15.20	\$372	DC1

M1600 Dimensions



M4000 Dimensions



GIL100 Series

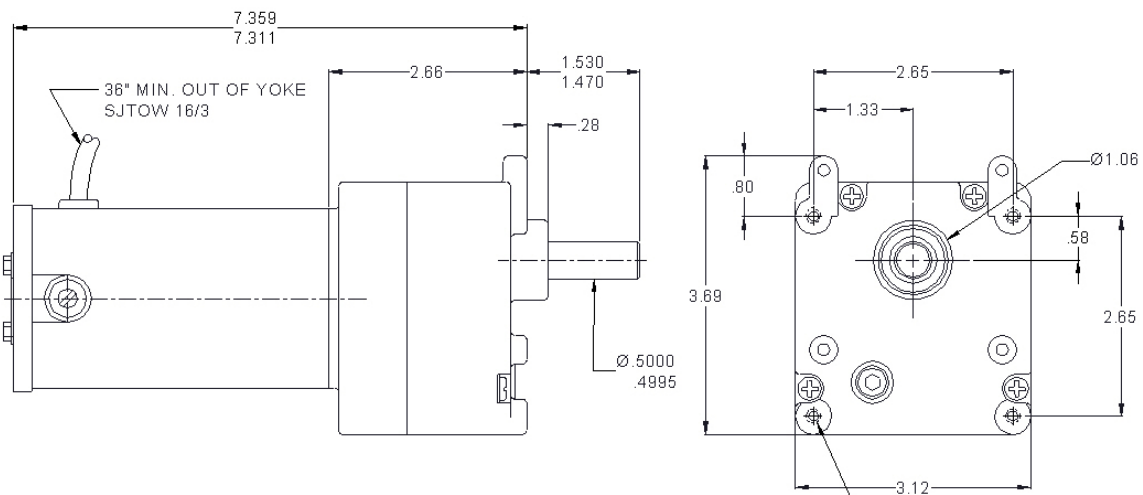
The GL100 Series Gearbox, when matched with the appropriate RAE motor, is a versatile parallel shaft, medium torque gearmotor offering long gear life in a reduced noise design.

Features

- Gearbox Designed to AGMA Standards
- Oil Filled
- Needle Bearings (Gearbox)
- High Energy Ceramic Magnets
- Double Shielded Ball Bearings (Motor)
- Dynamically Balanced Armature
- Reversible Design
- 36" "Cord
- TENV Design
- Externally Replaceable Brushes
- Auto-Hook Tang Type Commutator
- Value Added Options and Modifications Available
- Rating up to 100 in-lbs
- Speeds up to 250 rpm
- 12 up to 115 VDC
- 16:1 up to 488:1 Ratios
- 0.500" Maximum Shaft Diameter
- Class "F" Insulation



Catalog Number	Gearmotor	Hp	Voltage	RPM	FLA	Ratios	FLT in-lbs	List Price	Multiplier
GH1001	Parallel	1/20	90	4	.20	488	100	\$470	DC1
GH1002	Parallel	1/20	90	6	.24	340	100	\$470	DC1
GH1003	Parallel	1/17	90	10	.30	172	100	\$470	DC1
GH1004	Parallel	1/17	90	40	.44	52	50	\$460	DC1
GH1005	Parallel	1/17	90	65	.46	31	30	\$460	DC1
GH1006	Parallel	1/17	90	90	.46	16	20	\$460	DC1



GIL100 Dimensions

#10-32 UNF-2B X .38 DEEP FULL THD. 4 PLS.

PARALLEL SHAFT GEARMOTORS

GIL200

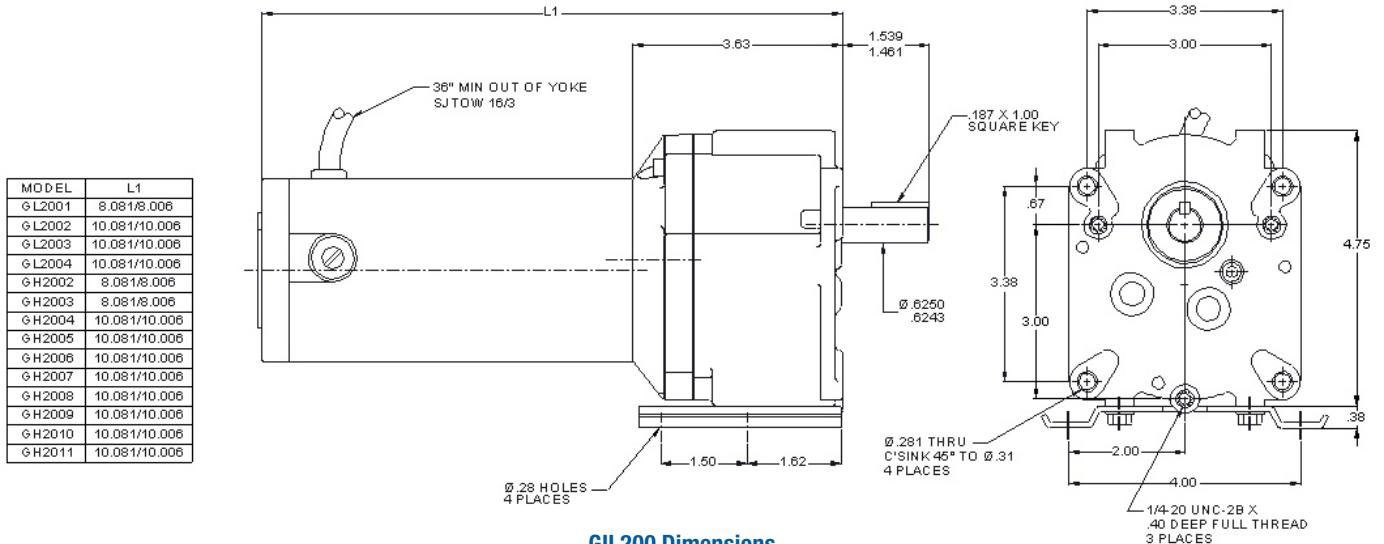
The GIL200 Series Gearbox, when matched with the appropriate RAE motor, provides high output torque in a compact, rugged diecast parallel shaft gearmotor design.

Features

- TENV Design
- Gearbox Designed to AGMA Standards
- Oil Lubrication
- Needle Bearings (Gearbox)
- Double Shielded Ball Bearings (Motor)
- Dynamically Balanced Armature
- Reversible Design
- Externally Replaceable Brushes
- Value Added Options and Modifications Available
- Rating up to 300 in-lbs
- 12 up to 180 VDC
- 5:1 up to 343:1 Ratios
- 0.625" Standard Shaft Diameter
- Class "F" Insulation



Catalog Number	Gearmotor	Hp	Voltage	RPM	FLA	Ratios	FLT in-lbs	List Price	Multiplier
GH2001	Parallel	1/20	90	6	0.59	343	290	\$651	DC1
GH2002	Parallel	1/20	90	9	0.75	202	268	\$651	DC1
GH2003	Parallel	1/20	90	18	0.8	103	150	\$651	DC1
GL2001	Parallel	1/20	12	6	3.89	343	290	\$656	DC1
GH2004	Parallel	1/8	90	21	1.3	88	280	\$656	DC1
GH2005	Parallel	1/8	90	26	1.58	69	280	\$663	DC1
GH2006	Parallel	1/8	90	32	1.5	58	220	\$663	DC1
GH2007	Parallel	1/8	90	54	1.51	34	138	\$663	DC1
GH2008	Parallel	1/8	90	61	1.42	30	113	\$653	DC1
GH2009	Parallel	1/8	90	91	1.58	20	86	\$653	DC1
GH2010	Parallel	1/8	90	165	1.57	11	47	\$653	DC1
GH2011	Parallel	1/8	90	364	1.55	5	21	\$667	DC1
GL2002	Parallel	1/8	12	31	12	58	220	\$667	DC1
GL2003	Parallel	1/8	12	61	11.4	30	113	\$658	DC1
GL2004	Parallel	1/8	12	163	12.6	11	47	\$658	DC1



MODEL	L1
GL2001	8.081/8.006
GL2002	10.081/10.006
GL2003	10.081/10.006
GL2004	10.081/10.006
GH2002	8.081/8.006
GH2003	8.081/8.006
GH2004	10.081/10.006
GH2005	10.081/10.006
GH2006	10.081/10.006
GH2007	10.081/10.006
GH2008	10.081/10.006
GH2009	10.081/10.006
GH2010	10.081/10.006
GH2011	10.081/10.006

G33

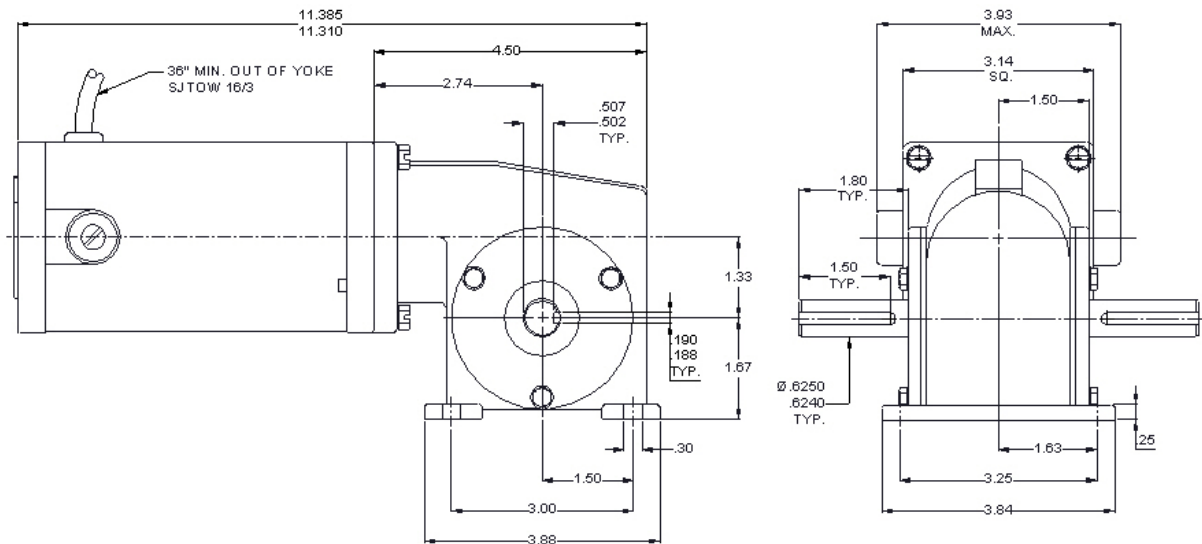
The G33 Series Single Worm Reduction Right Angle Gearbox, when matched with the appropriate RAE motor: is designed for applications requiring high output torques and a dependable, rugged design.

Features

- Lifetime Oil Lubrication
- Antifriction Bearings
- Foot Mounting
- High Energy Ceramic Magnets
- Dynamically Balanced Armature
- Externally Replaceable Brushes
- Auto-Hook Tang Type Commutator
- Value Added Options and Modifications Available
- Continuous Duty
- Rating up to 175 in- lbs
- Speeds up to 500 rpm
- 12 up to 180 VDC
- 5:1 up to 60:1 Ratios
- 0.625" Maximum Shaft Diameter
- Class "F" Insulation



Catalog Number	Gearmotor	Hp	Voltage	RPM	Ratios	FLA	FLT in-lbs	List Price	Multiplier
GH3301	Rt. Angle	1/8	90	42	60	1.76	88	\$581	DC1
GH3302	Rt. Angle	1/8	90	63	40	1.76	69	\$581	DC1
GH3303	Rt. Angle	1/8	90	126	20	1.76	43	\$581	DC1
GH3304	Rt. Angle	1/8	90	253	10	1.76	24	\$581	DC1
GH3305	Rt. Angle	1/8	90	510	5	1.76	13	\$581	DC1



G33 Dimensions



WEG Electric Corp. offers the following products, and more! With a full range of IEC/NEMA Global Certifications and a full line of products, WEG can supply the right solution for your needs anywhere in the world. To learn more about WEG's products and solutions or to locate a Distributor near you, please call **1-800-ASK-4WEG** or visit **www.weg.net**.

**Low Voltage Motors,
Single and 3-Phase, 1/8 – 700HP**

- General Purpose Motors
- Explosion Proof Motors
- Crusher Duty Motors
- IEC Tru-Metric Motors
- Pump Motors including JP/JM
- P-Base Pump Motors
- Oil Well Pumping Motors
- Pool & Spa Motors
- Brake Motors
- Compressor Duty Motors
- Farm Duty Motors
- Poultry Fan Motors
- Auger Drive Motors
- IEEE 841 Motors
- Stainless Steel Wash Down Motors
- Saw Arbor Motors
- Cooling Tower Motors
- Commercial HVAC Motors
- Pad Mounted Motors
- Vector Duty Motors

Large Electric Motors

- Low Voltage 3-phase motors up to 2,500HP
- Motors up to 70,000HP and 13,200V
- Wound Rotor Systems (including starters) up to 70,000HP and 13,200V
- Synchronous Motors up to 70,000HP and 13,200V
- Explosion proof motors (Ex-d) up to 1,500kW and 11kV
- Ex-n, Ex-e, Ex-p motors

Variable Frequency Drives

- Low Voltage 1/4 to 2500HP, 230V – 480V
- Medium Voltage 500-8000HP
- Multi-pump systems
- NEMA 4X
- Dynamic braking resistors
- Line and load reactors
- Plug and play technology
- Network communications: Profibus-DP, DeviceNet, Modbus-RTU
- PLC functions integrated
- Complete line of options and accessories

Soft Starters

- 3-1500HP
- Oriented start-up
- Built-in bypass contactor
- Universal source voltage (230-575V, 50/60Hz)
- Network communications: Profibus-DP, DeviceNet, Modbus-RTU
- Complete Line of options and accessories
- MV Soft-starter 3.3kV, 4.16kV: up to 3500HP, Withdrawable Power Stacks, & 8x PT100 Temperature monitoring

Controls

- Mini – Contactors
- IEC Contactors
- Thermal Overload Relays
- Manual Motor Protectors
- Molded Case Circuit Breakers
- Smart Relays
- Enclosed Starters: combination & non-combination,
- Pushbuttons & Pilot Lights
- Timing & Motor Protection Relays
- Terminal Blocks

Custom Panels

- Custom configured to your specification.
- NEMA 1, 12, 3R, 4 and 4X cabinets
- Quick delivery of preconfigured drives and soft starters
- UL 508 certified
- Low Voltage (230-460)
- Made in the U.S.A.

Generators

- Brushless Synchronous Generators for diesel gen-sets up to 4,200kVA
- Hydro-generators up to 25,000kVA
- Turbo-generators up to 62,500kVA

Power Transformers

- Built and engineered in North America
- Voltages < 500kV
- Ratings 5-300MVA
- Station class, oil filled, round core, copper windings
- Special configurations and designs available!
- Ask your WEG Sales Representative for details.
- Designed, built, and engineered to ANSI standards.

Custom Solution Package Sales

- WEG can package any of its products for ease of sale! Enjoy a single point of contact for the entire package of products and assistance from quote through after-sales support. Ask your WEG Sales Representative for details.



WEG Electric Corp.
6655 Sugarloaf Parkway
Duluth, GA 30097
Phone: 1-800-ASK-4WEG
web: www.weg.net

