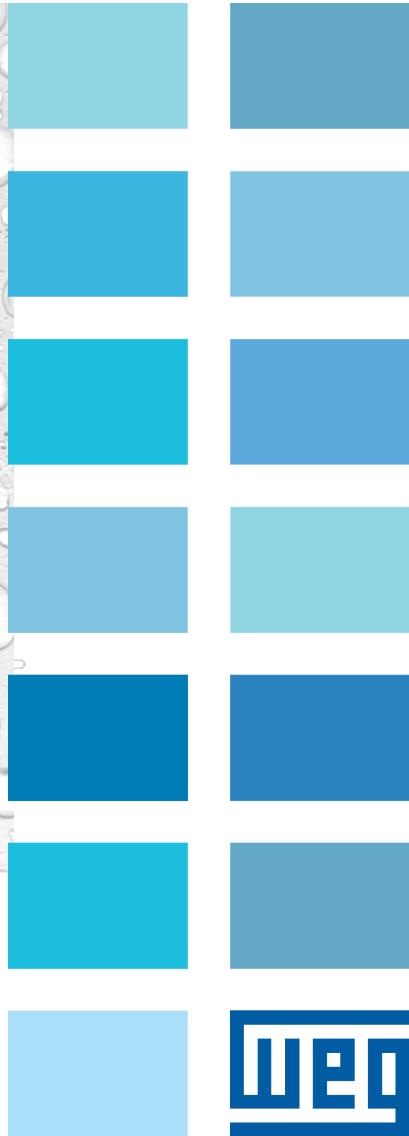


# Washdown Motors & Drives

Optimal Match for the Toughest Washdown Applications



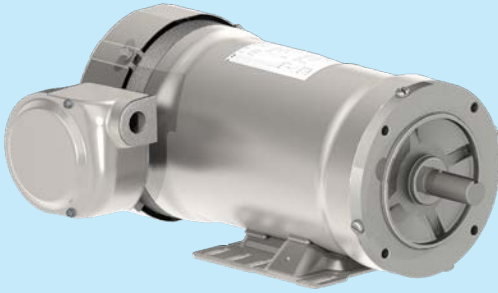
## Four Choices to Reduce Your Washdown Motor Replacement Costs

We offer four motor choices to provide you with the performance, durability and economy you need for specific washdown applications. This offers you more choices to lower your motor replacement costs and increase your return-on-investment.

### Encapsulated Washdown Motors

Encapsulated winding and a patented sealing system to ensure they will “standup” in the most severe applications.

#### Hydroduty™



#### The Ultimate Washdown Motor

- This is the ultimate stainless steel waterproof motor. It has been proven to provide 75% more cycles than other brands through extreme environment testing.
- Significantly reduces motor replacement and downtime costs
- Meets NEMA MG1 Part 31 for InverterDuty operation; 10:1 CT; 10:1 VT



#### Performance Specifications

- 1/2 to 5 hp, 860, 1140, 1725 or 3450 RPM
- TENV or TEFC enclosures
- NEMA Frames 56C, 143TC, 145TC and 182TC
- Metric Frame 80-B5 and 100L
- Meets IP69K enclosure protection

#### PickerPlus™



#### Severe Duty Feather Picker Motor

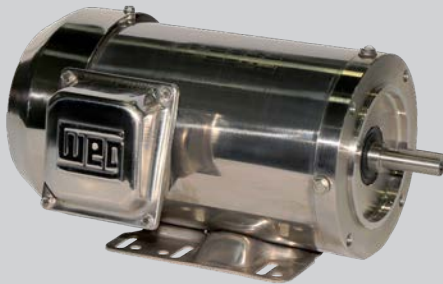
- Withstands frequent sanitizing with high pressure sprays and caustic fluids.
- Designed to withstand extreme side loading requirements

#### Performance Specifications

- 3 hp, 1725 RPM
- TEFC enclosure
- 145TC NEMA or 100L Metric Frames
- Footless or Base Mounted
- C-Face
- Meets IP69K enclosure protection

### General Purpose Washdown Motors

#### Shark™



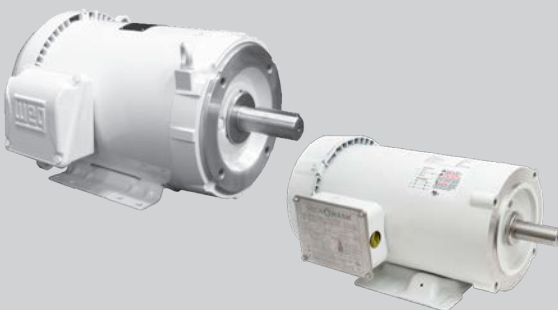
#### Stainless Steel Washdown Motor

- For use in food processing, pharmaceutical and other applications requiring extreme cleanliness
- Class F epoxy insulation
- Meets NEMA MG1 Part 31 for Inverter Duty operation; 6:1 CT; 10:1 VT

#### Performance Specifications

- 1-10 hp NEMA Premium
- 1800 and 3600 RPM
- TEFC enclosures
- Frames 143TC to 215TC
- Base Mounted
- Meets IP55 enclosure protection

#### HydroWash™



#### White Painted Washdown Motor

- Designed for long service life in general purpose washdown applications
- It provides extended service life that can reduce your downtime costs for motor replacement
- Meets NEMA MG1 Part 31 for Inverter Duty operation; 6:1 CT; 10:1 VT

#### Performance Specifications

- 1/2 to 25hp
- TENV or TEFC enclosures
- NEMA Frames 56C - 256TC
- Footless or Base Mounted
- Meets IP56 enclosure protection

# Severe Duty Washdown Motors

## Designed and Built to Last Longer

Indelible Laser Etched Nameplate

**Patented Three Stage Sealing System**  
Ensures watertight fit. Includes custom lip seal, stainless steel shaft slinger and severe duty check seal.

**Sealed Conduit Box**  
Includes patented lead system, potted and encapsulated to prevent water intrusion

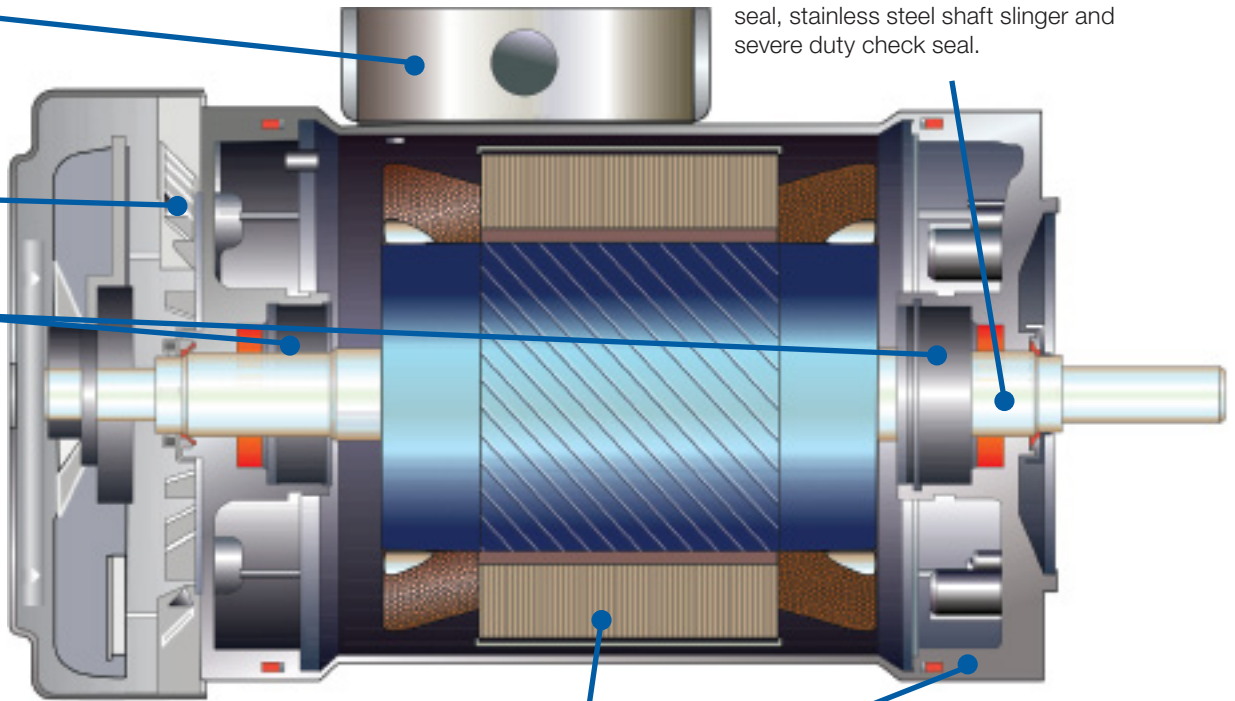
**Patented Breather Vent**  
Prevents oil and water contamination

**Double Sealed Ball Bearings**  
Provide long service life  
Drip grooves keep condensation away from bearings

**Both Endshields include O-Rings**  
Prevents moisture from entering the frame

**Frame and Construction Hydroduty™**  
Premium stainless steel for maximum corrosion resistance

**HydroWash™ and PickerPlus™**  
High grade steel with corrosion resistance



Strategically placed drains

Windings

Hydroduty™ & Picker Plus™: Premium, Patented SprayGuard™ Encapsulated Windings for Optimum Service Life  
NEMA MG1 Inverter Duty

## Trust WEG for the Toughest - Longest Lasting Motors for Washdown Applications

- **Built Durable** Withstands frequent sanitizing with high pressure spray, especially designed for severe duty washdown applications.
- **Economical** Long lasting design providing extended service life that can save you thousands of dollars in downtime costs.
- **Exceptional Warranty** We stand by our motors with an exceptional warranty; 12 months from date of the first installation or 24 months from date on motor nameplate. (Specific to HydroDuty motors this warranty will also cover all water-related motor failures resulting from typical sanitary washdown procedures for the aforementioned period of time.)



# Encapsulated Washdown Motors

**HydroDuty™**



**Find the Optimal Match for your HydroDuty™ Motor on page 6**



## HydroDuty™ - Stainless Steel - TEFC - C-Face - Foot Mount

HP	kW	RPM	Frame	Standard Catalog Number <sup>1</sup>	EZ Connect Model Number	List Price	Mult. Symbol	Approx. Shipping Weight (lbs)	Service Factor	FL Amps @ High	FL. Eff (%)	"C" Dimension Standard/EZ Model	Voltage (V)	Notes
0.5	0.37	1200	56C	1311017133	1311087133	\$1,694	S3	52	1.15	1.10	75.5	13.99/13.88	230/460	21;41
0.75	0.55	1800	56C	1311017121	1311087121	\$1,544	S3	46	1.15	1.30	81.5	13.24/13.88	230/460	21;41
		900	56C	1311017159	1311087159	\$1,794	S3	61	1.00	2.70	70.0	15.42/15.63	230/460	1;21
1	0.75	3600	56C	1313017156	1313087156	\$1,601	S3	48	1.15	1.50	77.0	13.24/13.88	460	21;41
		1800	56C	1311017115	1311087115	\$1,619	S3	53	1.15	1.60	85.5	14.49/14.63	230/460	21;41
		1800	143TC	1311017124	1311087124	\$1,642	S3	53	1.15	1.60	85.5	14.60/14.69	230/460	21;41
		1200	56C	1311017138	1311087138	\$1,875	S3	62	1.15	1.90	82.5	15.49/15.63	230/460	21;41
		1200	145TC	1311017130	1311087130	\$1,886	S3	62	1.15	1.90	82.5	15.56/15.69	230/460	21;41
		3600	56C	1313017154	1313087154	\$1,658	S3	49	1.15	2.30	84.0	13.24/13.88	230/460	21;41
1.5	1.1	1800	56C	1311017110	1311087110	\$1,683	S3	55	1.15	2.20	84.0	15.49/15.63	230/460	21;41
		1800	145TC	1311017111	1311087111	\$1,706	S3	55	1.15	2.20	84.0	15.56/15.69	230/460	21;41
		3600	56C	1313017152	1313087152	\$1,958	S3	54	1.15	2.90	85.5	13.99/14.63	230/460	21;41
2	1.5	3600	145TC	1313017153	1313087153	\$1,976	S3	54	1.15	2.90	85.5	14.06/14.69	230/460	21;41
		1800	56C	1311017114	1311087114	\$1,981	S3	62	1.15	2.80	86.5	15.49/15.63	230/460	21;41
		1800	145TC	1311017113	1311087113	\$2,005	S3	62	1.15	2.80	86.5	15.56/15.69	230/460	21;41
3	2.2	1800	184TC	H311007111		\$4,210	S3	113	1.15	4.30	89.5	19.09	230/460	1;21
5	3.7	1800	184TC	H311007110		\$4,953	S3	121	1.00	6.70	89.5	19.09	230/460	1;21

## HydroDuty™ - Stainless Steel - TENV - C-Face - Foot Mount

HP	kW	RPM	Frame	Standard Catalog Number <sup>1</sup>	EZ Connect Model Number	List Price	Mult. Symbol	Approx. Shipping Weight (lbs)	Service Factor	FL Amps @ High	FL. Eff (%)	"C" Dimension Standard/EZ Model	Voltage (V)	Notes
0.5	0.37	3600	56C	1323007112		\$1,416	S3	46	1.15	0.80	74.0	11.4	230/460	21;41
		1800	56C	1321007115	1321087115	\$1,439	S3	45	1.00	0.90	78.5	11.40/12.87	230/460	1;21;41
0.75	0.55	3600	56C	1323007110	1323087110	\$1,460	S3	52	1.15	1.10	77.0	12.15/12.87	230/460	21;41
		1800	56C	1321007113	1321087113	\$1,483	S3	50	1.00	1.20	81.5	12.15/12.87	230/460	1;21;41
1	1.75	1800	56C	1321007112	1321087112	\$1,591	S3	58	1.00	1.60	85.5	13.15/13.62	230/460	1;21;41
		1800	56C	1321007139**	1321087139**	\$1,696	S3	58	1.00	1.60	85.5	13.15/13.62	230/460	21;41
		1800	143TC/56C <sup>2</sup>	1321007119	1321087119	\$1,615	S3	58	1.00	1.60	85.5	13.22/13.68	230/460	1;21;41

\*\*Low temperature ratings

All ratings are 208-230/460; 40° C ambient; Class F insulation

56 and 145 Frame models also rated 230/460, 50HZ, 1.0SF

<sup>1</sup> Standard model available until inventory is depleted.

<sup>2</sup> EZ-Connect model is 56C frame.



Find the Optimal Match for your HydroDuty™ Motor on page 7



HydroDuty™ - Stainless Steel - TEFC - C-Face - Footless

HP	kW	RPM	Frame	Standard Catalog Number <sup>1</sup>	EZ Connect Model Number	List Price	Mult. Symbol	Approx. Shipping Weight (lbs)	Service Factor	FL Amps @ High	FL. Eff (%)	"C" Dimension Standard/EZ Model	Voltage (V)	Notes
0.75	0.55	1725	56C	1311017122	1311087122	\$1,526	S3	45	1.15	1.30	81.5	13.24/13.88	230/460	1;20;21
1	0.75	3450	56C	1313017161	1313087161	\$1,581	S3	47	1.15	1.50	77.0	13.24/13.88	230/460	20;21;41
		1725	56C	1311017123	1311087123	\$1,601	S3	52	1.15	1.60	85.5	14.49/14.63	230/460	1;20;21
		1725	143TC	1311017125	1311087125	\$1,626	S3	52	1.15	1.60	85.5	14.56/14.69	230/460	1;20;21
		1725	80-B5	1311017152	1311087152	\$1,879	S3	58	1.15	1.60	85.5	15.34/15.47	230/460	20;21;41
1.5	1.1	1725	56C	1311017117	1311087117	\$1,663	S3	54	1.15	2.20	86.5	15.49/15.63	230/460	1;20;21
		1725	145TC	1311017118	1311087118	\$1,688	S3	54	1.15	2.20	86.5	15.56/15.69	230/460	1;20;21
2	1.5	1725	56C	1311017119	1311087119	\$1,962	S3	61	1.15	2.80	86.5	15.49/15.63	230/460	1;20;21
		1725	145TC	1311017120	1311087120	\$1,985	S3	61	1.15	2.80	86.5	15.56	230/460	1;20;21
3	2.2	1725	184TC	H311007113		\$4,155	S3	112	1.15	4.30	89.5	19.09	230/460	1;20;21
5	3.7	1725	184TC	H311007112		\$4,924	S3	120	1.00	6.70	89.5	19.09	230/460	1;20;21

HydroDuty™ - Stainless Steel - TENV - C-Face - Footless

HP	kW	RPM	Frame	Standard Catalog Number <sup>1</sup>	EZ Connect Model Number	List Price	Mult. Symbol	Approx. Shipping Weight (lbs)	Service Factor	FL Amps @ High	FL. Eff (%)	"C" Dimension Standard/EZ Model	Voltage (V)	Notes
0.5	0.37	1725	56C	1321007121	1321087121	\$1,421	S3	44	1.00	0.85	81.5	11.40/12.8	230/460	1;20;21;41
0.75	0.55	3450	56C	1323007114	1323087114	\$1,443	S3	51	1.15	1.10	77.0	12.15/12.8	230/460	1;20;21
		1725	56C	1321007117	1321087117	\$1,465	S3	49	1.00	1.20	81.5	12.15/12.8	230/460	1;20;21;41
1	0.75	1725	56C	1321007125	1321087125	\$1,572	S3	57	1.00	1.60	85.5	13.15/13.62	230/460	1;20;21;41
		1725	56C	1321007140**	1321087140**	\$1,676	S3	58	1.00	1.60	85.5	13.15/13.62	230/460	1;20;21;41
		1725	143TC	1321007124	1321087124	\$1,595	S3	57	1.00	1.60	85.5	13.22/13.68	230/460	1;20;21;41
		1725	100L	1321007158	1321087158	\$1,891	S3	52	1.00	1.60	85.5	13.44/13.91	230/460	1;20;21

\*\*Low temperature ratings

All ratings are 208-230/460; 40° C ambient; Class F insulation

56 and 145 Frame models also rated 230/460, 50HZ, 1.0SF

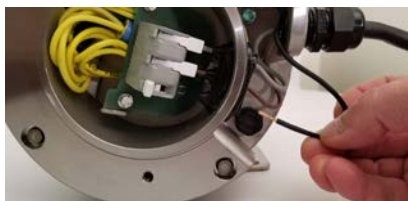
<sup>1</sup> Standard model available until inventory is depleted.



1. Insert the incoming power leads thru the waterproof Seal.

2. Grommets automatically align the leads to the correct slot.

3. Push the levers closed.



1



2



3

# Encapsulated Washdown Motors Hydroduty™ Motor and CFW08 Washdown Drive Quick Selection Guide

Optimal Match



## C-Face Foot Mount

HP	RPM	Volts	Standard Model	EZ Connect Model	Motor List Price	FL Amps @ high	230V Drive	Drive List Price	460V Drive	Drive List Price
0.5	3600	230/460	<a href="#">1323007112</a>		\$1,416	0.80	<a href="#">CFW080073BDN4A1Z</a>	\$929	<a href="#">CFW080027TGN4A1Z</a>	\$894
	1800	230/460	<a href="#">1321007115</a>	<a href="#">1321087115</a>	\$1,439	0.90	<a href="#">CFW080073BDN4A1Z</a>	\$929	<a href="#">CFW080027TGN4A1Z</a>	\$894
	1200	230/460	<a href="#">1311017133</a>	<a href="#">1311087133</a>	\$1,694	1.10	<a href="#">CFW080073BDN4A1Z</a>	\$929	<a href="#">CFW080027TGN4A1Z</a>	\$894
0.75	3600	230/460	<a href="#">1323007110</a>	<a href="#">1323087110</a>	\$1,460	1.10	<a href="#">CFW080073BDN4A1Z</a>	\$929	<a href="#">CFW080027TGN4A1Z</a>	\$894
	1800	230/460	<a href="#">1321007113</a>	<a href="#">1321087113</a>	\$1,483	1.20	<a href="#">CFW080073BDN4A1Z</a>	\$929	<a href="#">CFW080027TGN4A1Z</a>	\$894
	1800	230/460	<a href="#">1311017121</a>	<a href="#">1311087121</a>	\$1,544	1.30	<a href="#">CFW080073BDN4A1Z</a>	\$929	<a href="#">CFW080027TGN4A1Z</a>	\$894
	900	460	<a href="#">1311017159</a>	<a href="#">1311087159</a>	\$1,794	2.70			<a href="#">CFW080027TGN4A1Z</a>	\$894
1	3600	230/460	<a href="#">1313017156</a>	<a href="#">1313087156</a>	\$1,601	1.50	<a href="#">CFW080073BDN4A1Z</a>	\$929	<a href="#">CFW080027TGN4A1Z</a>	\$894
	1800	230/460	<a href="#">1321007112</a>	<a href="#">1321087112</a>	\$1,591	1.60	<a href="#">CFW080073BDN4A1Z</a>	\$929	<a href="#">CFW080027TGN4A1Z</a>	\$894
	1800	230/460	<a href="#">1311017115</a>	<a href="#">1311087115</a>	\$1,619	1.60	<a href="#">CFW080073BDN4A1Z</a>	\$929	<a href="#">CFW080027TGN4A1Z</a>	\$894
	1800	230/460	<a href="#">1321007139</a>	<a href="#">1321087139</a>	\$1,696	1.60	<a href="#">CFW080073BDN4A1Z</a>	\$929	<a href="#">CFW080027TGN4A1Z</a>	\$894
	1800	230/460	<a href="#">1321007119</a>	<a href="#">1321087119</a>	\$1,615	1.60	<a href="#">CFW080073BDN4A1Z</a>	\$929	<a href="#">CFW080027TGN4A1Z</a>	\$894
	1800	230/460	<a href="#">1311017124</a>	<a href="#">1311087124</a>	\$1,642	1.60	<a href="#">CFW080073BDN4A1Z</a>	\$929	<a href="#">CFW080027TGN4A1Z</a>	\$894
	1200	230/460	<a href="#">1311017138</a>	<a href="#">1311087138</a>	\$1,875	1.90	<a href="#">CFW080073BDN4A1Z</a>	\$929	<a href="#">CFW080027TGN4A1Z</a>	\$894
	1200	230/460	<a href="#">1311017130</a>	<a href="#">1311087130</a>	\$1,886	1.90	<a href="#">CFW080073BDN4A1Z</a>	\$929	<a href="#">CFW080027TGN4A1Z</a>	\$894
1.5	3600	230/460	<a href="#">1313017154</a>	<a href="#">1313087154</a>	\$1,658	2.30	<a href="#">CFW080073BDN4A1Z</a>	\$929	<a href="#">CFW080027TGN4A1Z</a>	\$894
	1800	230/460	<a href="#">1311017110</a>	<a href="#">1311087110</a>	\$1,683	2.20	<a href="#">CFW080073BDN4A1Z</a>	\$929	<a href="#">CFW080027TGN4A1Z</a>	\$894
	1800	230/460	<a href="#">1311017111</a>	<a href="#">1311087111</a>	\$1,706	2.20	<a href="#">CFW080073BDN4A1Z</a>	\$929	<a href="#">CFW080027TGN4A1Z</a>	\$894
2	3600	230/460	<a href="#">1313017152</a>	<a href="#">1313087152</a>	\$1,958	2.90	<a href="#">CFW080073BDN4A1Z</a>	\$929	<a href="#">CFW080043TGN4A1Z</a>	\$1,118
	3600	230/460	<a href="#">1313017153</a>	<a href="#">1313087153</a>	\$1,976	2.90	<a href="#">CFW080073BDN4A1Z</a>	\$929	<a href="#">CFW080043TGN4A1Z</a>	\$1,118
	1800	230/460	<a href="#">1311017114</a>	<a href="#">1311087114</a>	\$1,981	2.80	<a href="#">CFW080073BDN4A1Z</a>	\$929	<a href="#">CFW080043TGN4A1Z</a>	\$1,118
	1800	230/460	<a href="#">1311017113</a>	<a href="#">1311087113</a>	\$2,005	2.80	<a href="#">CFW080073BDN4A1Z</a>	\$929	<a href="#">CFW080043TGN4A1Z</a>	\$1,118
3	1800	230/460	<a href="#">H311007111</a>		\$4,210	4.30	<a href="#">CFW080100BDN4A1Z</a>	\$1,039	<a href="#">CFW080065TGN4A1Z</a>	\$1,331
5	1800	230/460	<a href="#">H311007110</a>		\$4,953	6.70	<a href="#">CFW080160TDN4A1Z</a>	\$1,228	<a href="#">CFW080100TGN4A1Z</a>	\$1,516

**Optimal Match**



## Encapsulated Washdown Motors Hydroduty™ Motor and CFW08 Washdown Drive Quick Selection Guide

### C-Face Footless

HP	RPM	Volts	Standard Model	EZ Connect Model	Motor List Price	460V Amps	230V Drive	Drive List Price	460V Drive	Drive List Price
0.50	1800	230/460	<a href="#">1321007121</a>	<a href="#">1321087121</a>	\$1,421	0.85	<a href="#">CFW080073BDN4A1Z</a>	\$929	<a href="#">CFW080027TGN4A1Z</a>	\$894
0.75	3600	230/460	<a href="#">1323007114</a>	<a href="#">1323087114</a>	\$1,443	1.10	<a href="#">CFW080073BDN4A1Z</a>	\$929	<a href="#">CFW080027TGN4A1Z</a>	\$894
	1800	230/460	<a href="#">1321007117</a>	<a href="#">1321087117</a>	\$1,465	1.20	<a href="#">CFW080073BDN4A1Z</a>	\$929	<a href="#">CFW080027TGN4A1Z</a>	\$894
		230/460	<a href="#">1311017122</a>	<a href="#">1311087122</a>	\$1,526	1.30	<a href="#">CFW080073BDN4A1Z</a>	\$929	<a href="#">CFW080027TGN4A1Z</a>	\$894
1	3600	230/460	<a href="#">1313017161</a>	<a href="#">1313087161</a>	\$1,581	1.50	<a href="#">CFW080073BDN4A1Z</a>	\$929	<a href="#">CFW080027TGN4A1Z</a>	\$894
		230/460	<a href="#">1321007125</a>	<a href="#">1321087125</a>	\$1,572	1.60	<a href="#">CFW080073BDN4A1Z</a>	\$929	<a href="#">CFW080027TGN4A1Z</a>	\$894
	1800	230/460	<a href="#">1321007140</a>	<a href="#">1321087140</a>	\$1,676	1.60	<a href="#">CFW080073BDN4A1Z</a>	\$929	<a href="#">CFW080027TGN4A1Z</a>	\$894
		230/460	<a href="#">1311017123</a>	<a href="#">1311087123</a>	\$1,601	1.60	<a href="#">CFW080073BDN4A1Z</a>	\$929	<a href="#">CFW080027TGN4A1Z</a>	\$894
		230/460	<a href="#">1321007124</a>	<a href="#">1321087124</a>	\$1,595	1.60	<a href="#">CFW080073BDN4A1Z</a>	\$929	<a href="#">CFW080027TGN4A1Z</a>	\$894
		230/460	<a href="#">1311017125</a>	<a href="#">1311087125</a>	\$1,626	1.60	<a href="#">CFW080073BDN4A1Z</a>	\$929	<a href="#">CFW080027TGN4A1Z</a>	\$894
		230/460	<a href="#">1321007158</a>	<a href="#">1321087158</a>	\$1,891	1.60	<a href="#">CFW080073BDN4A1Z</a>	\$929	<a href="#">CFW080027TGN4A1Z</a>	\$894
		230/460	<a href="#">1311017152</a>	<a href="#">1311087152</a>	\$1,879	1.60	<a href="#">CFW080073BDN4A1Z</a>	\$929	<a href="#">CFW080027TGN4A1Z</a>	\$894
1.5	1800	230/460	<a href="#">1311017117</a>	<a href="#">1311087117</a>	\$1,663	2.20	<a href="#">CFW080073BDN4A1Z</a>	\$929	<a href="#">CFW080027TGN4A1Z</a>	\$894
		230/460	<a href="#">1311017118</a>	<a href="#">1311087118</a>	\$1,688	2.20	<a href="#">CFW080073BDN4A1Z</a>	\$929	<a href="#">CFW080027TGN4A1Z</a>	\$894
2	1800	230/460	<a href="#">1311017119</a>	<a href="#">1311087119</a>	\$1,962	2.80	<a href="#">CFW080073BDN4A1Z</a>	\$929	<a href="#">CFW080043TGN4A1Z</a>	\$1,118
		230/460	<a href="#">1311017120</a>	<a href="#">1311087120</a>	\$1,985	2.80	<a href="#">CFW080073BDN4A1Z</a>	\$929	<a href="#">CFW080043TGN4A1Z</a>	\$1,118
3	1800	230/460	<a href="#">H311007113</a>		\$4155	4.30	<a href="#">CFW080100BDN4A1Z</a>	\$1,039	<a href="#">CFW080065TGN4A1Z</a>	\$1,331
5	1800	230/460	<a href="#">H311007112</a>		\$4294	6.70	<a href="#">CFW080160TDN4A1Z</a>	\$1,228	<a href="#">CFW080100TGN4A1Z</a>	\$1,516

## PickerPlus™



### C-Face - Foot Mount

HP	RPM	Frame	Catalog Number	List Price	Multi.	Base	Enclosure	HZ	SF	FL Amps	C Dim	KVA Code	Appr. Ship Wt (lbs.)
3	1725	145TC	<a href="#">1311017192</a>	<b>\$1,736</b>	S3	Y	TEFC	60	1.00	8.80/4.40	15.560	J	68
	1725	100L-B14	<a href="#">1311017196</a>	<b>\$1,852</b>	S3	Y	TEFC	60	1.00	8.80/4.40	15.780	J	68



### C-Face - Footless

HP	RPM	Frame	Catalog Number	List Price	Multi.	Base	Enclosure	HZ	SF	FL Amps	C Dim	KVA Code	Appr. Ship Wt (lbs.)
3	1725	100L-B14	<a href="#">1311017195</a>	<b>\$1,803</b>	S3	N	TEFC	60	1.00	8.80/4.40	15.780	J	66
	1725	100L-B5	<a href="#">1311017191</a>	<b>\$1,820</b>	S3	N	TEFC	60	1.00	8.80/4.40	16.180	J	71



**Shark™**



Find the **Optimal Match** for your **Shark™** Motor on page 11



**Shark™ - Stainless Steel - TEFC - C-Face - Foot Mount**

HP	kW	RPM	Frame	Catalog Number	List Price	Mult. Symbol	Approx. Shipping Weight (lbs)	Service Factor	FL Amps @ High	FL. Eff (%)	"C" Dimension (in)	Voltage (V)	Notes
1	0.75	3600	56HC	<a href="#">00136ET3ESS56C</a>	\$701	S1	38	1.15	1.45	77.0	14.000	230/460	21
		1800	56HC	<a href="#">00118ET3ESS56C</a>	\$723	S1	38	1.15	1.46	85.5	14.000	230/460	21
		1800	143TC	<a href="#">00118ET3ESS143TC</a>	\$857	S1	38	1.15	1.46	85.5	13.400	230/460	21
1.5	1.1	3600	56HC	<a href="#">00156ET3ESS56C</a>	\$825	S1	41	1.15	1.99	84.0	14.000	230/460	21
		1800	56HC	<a href="#">00158ET3ESS56C</a>	\$846	S1	44	1.15	2.06	86.5	14.000	230/460	21
		1800	145TC	<a href="#">00158ET3ESS145TC</a>	\$872	S1	43	1.15	2.06	86.5	14.200	230/460	21
2	1.5	3600	56HC	<a href="#">00236ET3ESS56C</a>	\$989	S1	47	1.15	2.55	85.5	14.000	230/460	21
		3600	145TC	<a href="#">00236ET3ESS145TC</a>	\$1,113	S1	45	1.15	2.55	85.5	14.200	230/460	21
		1800	56HC	<a href="#">00218ET3ESS56C</a>	\$1,001	S1	51	1.15	2.71	86.5	14.000	230/460	21
		1800	145TC	<a href="#">00218ET3ESS145TC</a>	\$1,219	S1	52	1.15	2.78	86.5	13.600	230/460	21
3	2.2	3600	182TC	<a href="#">00336ET3ESS182TC</a>	\$1,564	S1	100	1.15	3.73	86.5	17.300	230/460	21
		1800	182TC	<a href="#">00318ET3ESS182TC</a>	\$1,453	S1	113	1.15	3.92	89.5	17.100	230/460	21
5	3.7	3600	184TC	<a href="#">00536ET3ESS184TC</a>	\$1,779	S1	111	1.15	6.01	88.5	17.900	230/460	21
		1800	184TC	<a href="#">00518ET3ESS184TC</a>	\$1,607	S1	120	1.15	6.54	89.5	17.900	230/460	21
7.5	5.5	3600	213TC	<a href="#">00736ET3ESS213TC</a>	\$2,208	S1	158	1.15	8.82	89.5	20.500	230/460	21
		1800	213TC	<a href="#">00718ET3ESS213TC</a>	\$2,201	S1	173	1.15	9.12	91.7	20.500	230/460	21
10	7.5	3600	215TC	<a href="#">01036ET3ESS215TC</a>	\$2,713	S1	177	1.15	11.5	90.2	22.000	230/460	21
		1800	215TC	<a href="#">01018ET3ESS215TC</a>	\$2,452	S1	208	1.15	12.2	91.7	22.000	230/460	21

**Shark™ - Stainless Steel - TENV - C-Face - Foot Mount**

HP	kW	RPM	Frame	Catalog Number	List Price	Mult. Symbol	Approx. Shipping Weight (lbs)	Service Factor	FL Amps @ High	FL. Eff (%)	"C" Dimension (in)	Voltage (V)	Notes
0.33	0.25	1800	56C	<a href="#">.3318EP3ESS56C</a>	\$550	S1	29	1.15	0.53	79.8	11.250	230/460	17;21
0.50	0.37	3600	56C	<a href="#">.5036EP3ESS56C</a>	\$569	S1	30	1.15	0.65	78.3	11.250	230/460	17;21
		1800	56C	<a href="#">.5018EP3ESS56C</a>	\$575	S1	33	1.15	0.73	81.2	11.250	230/460	17;21
		1200	56C	<a href="#">.5012EP3ESS56C</a>	\$682	S1	34	1.15	0.86	79.1	11.670	230/460	17;21
0.75	0.55	3600	56C	<a href="#">.7536EP3ESS56C</a>	\$590	S1	30	1.15	1.02	81.9	11.250	230/460	17;21
		1800	56C	<a href="#">.7518EP3ESS56C</a>	\$616	S1	34	1.15	1.06	81.3	11.250	230/460	17;21
		1200	56HC	<a href="#">.7512EP3ESS56C</a>	\$723	S1	41	1.15	1.22	82.9	11.670	230/460	17;21
1	0.75	3600	56HC	<a href="#">00136NT3ESS56C</a>	\$713	S1	39	1.15	1.45	77.0	11.940	230/460	17;21
		1800	56HC	<a href="#">00118NT3ESS56C</a>	\$735	S1	38	1.15	1.46	85.5	11.940	230/460	17;21
		1800	143TC	<a href="#">00118NT3ESS143TC</a>	\$889	S1	38	1.15	1.46	85.5	11.210	230/460	17;21

continued on next page



Find the **Optimal Match** for your **Shark™** Motor on page 12



**Shark™ - Stainless Steel - TEFC - C-Face - Footless**

HP	kW	RPM	Frame	Catalog Number	List Price	Mult. Symbol	Approx. Shipping Weight (lbs)	Service Factor	FL Amps @ High	FL. Eff (%)	"C" Dimension (in)	Voltage (V)	Notes
1	0.75	3600	56HC	00136ET3ESS56CFL	\$701	S1	37	1.15	1.45	77.0	14.000	230/460	20;21
		1800	56HC	00118ET3ESS56CFL	\$723	S1	37	1.15	1.46	85.5	14.000	230/460	20;21
		1800	143TC	00118ET3ESS143TCFL	\$857	S1	38	1.15	1.46	85.5	13.400	230/460	20;21
1.5	1.1	3600	56HC	00156ET3ESS56CFL	\$825	S1	40	1.15	1.99	84.0	14.000	230/460	20;21
		3600	143TC	00156ET3ESS143TCFL	\$858	S1	41	1.15	1.99	84.0	13.400	230/460	20;21
		1800	56HC	00158ET3ESS56CFL	\$846	S1	43	1.15	2.06	86.5	14.000	230/460	20;21
		1800	145TC	00158ET3ESS145TCFL	\$872	S1	43	1.15	2.06	86.5	14.200	230/460	20;21
2	1.5	3600	56HC	00236ET3ESS56CFL	\$989	S1	45	1.15	2.55	85.5	14.000	230/460	20;21
		3600	145TC	00236ET3ESS145TCFL	\$1,113	S1	45	1.15	2.55	85.5	14.200	230/460	20;21
		1800	56HC	00218ET3ESS56CFL	\$1,001	S1	49	1.15	2.71	86.5	14.000	230/460	20;21
		1800	145TC	00218ET3ESS145TCFL	\$1,219	S1	52	1.15	2.78	86.5	13.600	230/460	20;21
3	2.2	3600	145TC	00336ET3ESS145TCFL	\$1,564	S1	59	1.15	3.78	86.5	16.200	230/460	20;21
		3600	182TC	00336ET3ESS182TCFL	\$1,564	S1	98	1.15	3.73	86.5	17.300	230/460	20;21
		1800	182TC	00318ET3ESS182TCFL	\$1,453	S1	111	1.15	3.92	89.5	17.100	230/460	20;21
5	3.7	3600	184TC	00536ET3ESS184TCFL	\$1,779	S1	109	1.15	6.01	88.5	17.900	230/460	20;21
		1800	184TC	00518ET3ESS184TCFL	\$1,607	S1	118	1.15	6.54	89.5	17.900	230/460	20;21
7.5	5.5	3600	213TC	00736ET3ESS213TCFL	\$2,208	S1	155	1.15	8.82	89.5	20.500	230/460	20;21
		1800	213TC	00718ET3ESS213TCFL	\$2,201	S1	170	1.15	9.12	91.7	20.500	230/460	20;21
10	7.5	3600	215TC	01036ET3ESS215TCFL	\$2,713	S1	174	1.15	11.5	90.2	22.000	230/460	20;21
		1800	215TC	01018ET3ESS215TCFL	\$2,452	S1	205	1.15	12.2	91.7	22.000	230/460	20;21

**Shark™ - Stainless Steel - TENV - C-Face - Footless**

HP	kW	RPM	Frame	Catalog Number	List Price	Mult. Symbol	Approx. Shipping Weight (lbs)	Service Factor	FL Amps @ High	FL. Eff (%)	"C" Dimension (in)	Voltage (V)	Notes
0.33	0.25	1800	56C	.3318EP3ESS56CFL	\$550	S1	28	1.15	0.53	79.8	11.250	230/460	17;20;21
0.50	0.37	3600	56C	.5036EP3ESS56CFL	\$569	S1	29	1.15	0.65	78.3	11.250	230/460	17;20;21
		1800	56C	.5018EP3ESS56CFL	\$575	S1	32	1.15	0.73	81.2	11.250	230/460	17;20;21
		1200	56C	.5012EP3ESS56CFL	\$682	S1	33	1.15	0.86	79.1	11.670	230/460	17;20;21
0.75	0.55	3600	56C	.7536EP3ESS56CFL	\$590	S1	29	1.15	1.02	81.9	11.250	230/460	17;20;21
		1800	56C	.7518EP3ESS56CFL	\$616	S1	33	1.15	1.06	81.3	11.250	230/460	17;20;21
		1200	56C	.7512EP3ESS56CFL	\$723	S1	40	1.15	1.22	82.9	11.670	230/460	17;20;21
1	0.75	3600	56HC	00136NT3ESS56CFL	\$713	S1	38	1.15	1.45	77.0	11.940	230/460	17;20;21
		1800	56HC	00118NT3ESS56CFL	\$735	S1	38	1.15	1.46	85.5	11.940	230/460	17;20;21
		1800	143TC	00118NT3ESS143TCFL	\$889	S1	38	1.15	1.46	85.5	11.210	230/460	17;20;21

## Shark™ Motor and CFW08 Washdown Drive Quick Selection Guide



### Shark™ - Stainless Steel - TENV - C-Face - Foot Mount

HP	RPM	Volts	Catalog Number	Motor List Price	460V Amps	230V Drive	Drive List Price	460V Drive	Drive List Price
0.33	1800	230/460	<a href="#">.3318EP3ESS56C</a>	\$550	0.53	<a href="#">CFW080073BDN4A1Z</a>	\$929	<a href="#">CFW080027TGN4A1Z</a>	\$894
	3600	230/460	<a href="#">.5036EP3ESS56C</a>	\$569	0.65	<a href="#">CFW080073BDN4A1Z</a>	\$929	<a href="#">CFW080027TGN4A1Z</a>	\$894
0.5	1800	230/460	<a href="#">.5018EP3ESS56C</a>	\$575	0.73	<a href="#">CFW080073BDN4A1Z</a>	\$929	<a href="#">CFW080027TGN4A1Z</a>	\$894
	1200	230/460	<a href="#">.5012EP3ESS56C</a>	\$682	0.86	<a href="#">CFW080073BDN4A1Z</a>	\$929	<a href="#">CFW080027TGN4A1Z</a>	\$894
0.75	3600	230/460	<a href="#">.7536EP3ESS56C</a>	\$590	1.02	<a href="#">CFW080073BDN4A1Z</a>	\$929	<a href="#">CFW080027TGN4A1Z</a>	\$894
	1800	230/460	<a href="#">.7518EP3ESS56C</a>	\$616	1.06	<a href="#">CFW080073BDN4A1Z</a>	\$929	<a href="#">CFW080027TGN4A1Z</a>	\$894
1	1200	230/460	<a href="#">.7512EP3ESS56C</a>	\$723	0.22	<a href="#">CFW080073BDN4A1Z</a>	\$929	<a href="#">CFW080027TGN4A1Z</a>	\$894
	3600	230/460	<a href="#">00136NT3ESS56C</a>	\$713	1.45	<a href="#">CFW080073BDN4A1Z</a>	\$929	<a href="#">CFW080027TGN4A1Z</a>	\$894
	1800	230/460	<a href="#">00118NT3ESS56C</a>	\$735	1.46	<a href="#">CFW080073BDN4A1Z</a>	\$929	<a href="#">CFW080027TGN4A1Z</a>	\$894
	1800	230/460	<a href="#">00118NT3ESS143TC</a>	\$889	1.46	<a href="#">CFW080073BDN4A1Z</a>	\$929	<a href="#">CFW080027TGN4A1Z</a>	\$894

### Shark™ - Stainless Steel - TEFC - C-Face - Foot Mount

HP	RPM	Volts	Catalog Number	Motor List Price	460V Amps	230V Drive	Drive List Price	460V Drive	Drive List Price
1	3600	230/460	<a href="#">00136ET3ESS56C</a>	\$701	1.45	<a href="#">CFW080073BDN4A1Z</a>	\$929	<a href="#">CFW080027TGN4A1Z</a>	\$894
	1800	230/460	<a href="#">00118ET3ESS56C</a>	\$723	1.46	<a href="#">CFW080073BDN4A1Z</a>	\$929	<a href="#">CFW080027TGN4A1Z</a>	\$894
	1800	230/460	<a href="#">00118ET3ESS143TC</a>	\$857	1.46	<a href="#">CFW080073BDN4A1Z</a>	\$929	<a href="#">CFW080027TGN4A1Z</a>	\$894
1.5	3600	230/460	<a href="#">00156ET3ESS56C</a>	\$825	1.99	<a href="#">CFW080073BDN4A1Z</a>	\$929	<a href="#">CFW080027TGN4A1Z</a>	\$894
	1800	230/460	<a href="#">00158ET3ESS56C</a>	\$846	2.06	<a href="#">CFW080073BDN4A1Z</a>	\$929	<a href="#">CFW080027TGN4A1Z</a>	\$894
	1800	230/460	<a href="#">00158ET3ESS145TC</a>	\$872	2.06	<a href="#">CFW080073BDN4A1Z</a>	\$929	<a href="#">CFW080027TGN4A1Z</a>	\$894
2	3600	230/460	<a href="#">00236ET3ESS56C</a>	\$989	2.55	<a href="#">CFW080073BDN4A1Z</a>	\$929	<a href="#">CFW080043TGN4A1Z</a>	\$1,118
	3600	230/460	<a href="#">00236ET3ESS145TC</a>	\$1,113	2.55	<a href="#">CFW080073BDN4A1Z</a>	\$929	<a href="#">CFW080043TGN4A1Z</a>	\$1,118
	1800	230/460	<a href="#">00218ET3ESS56C</a>	\$1,001	2.71	<a href="#">CFW080073BDN4A1Z</a>	\$929	<a href="#">CFW080043TGN4A1Z</a>	\$1,118
	1800	230/460	<a href="#">00218ET3ESS145TC</a>	\$1,219	2.78	<a href="#">CFW080073BDN4A1Z</a>	\$929	<a href="#">CFW080043TGN4A1Z</a>	\$1,118
3	3600	230/460	<a href="#">00336ET3ESS182TC</a>	\$1,564	3.73	<a href="#">CFW080100BDN4A1Z</a>	\$1,039	<a href="#">CFW080043TGN4A1Z</a>	\$1,118
	1800	230/460	<a href="#">00318ET3ESS182TC</a>	\$1,453	3.92	<a href="#">CFW080100BDN4A1Z</a>	\$1,039	<a href="#">CFW080065TGN4A1Z</a>	\$1,331
5	3600	230/460	<a href="#">00536ET3ESS184TC</a>	\$1,779	6.01	<a href="#">CFW080160TDN4A1Z</a>	\$1,228	<a href="#">CFW080100TGN4A1Z</a>	\$1,516
	1800	230/460	<a href="#">00518ET3ESS184TC</a>	\$1,607	6.54	<a href="#">CFW080160TDN4A1Z</a>	\$1,228	<a href="#">CFW080100TGN4A1Z</a>	\$1,516
7.5	3600	230/460	<a href="#">00736ET3ESS213TC</a>	\$2,208	8.82	<a href="#">CFW080220TDN4A1Z</a>	\$1,769	<a href="#">CFW080130TGN4A1Z</a>	\$1,856
	1800	230/460	<a href="#">00718ET3ESS213TC</a>	\$2,201	9.12	<a href="#">CFW080220TDN4A1Z</a>	\$1,769	<a href="#">CFW080130TGN4A1Z</a>	\$1,856
10	3600	230/460	<a href="#">01036ET3ESS215TC</a>	\$2,713	11.50	<a href="#">CFW080280TDN4A1Z</a>	\$2,266	<a href="#">CFW080160TGN4A1Z</a>	\$2,144
	1800	230/460	<a href="#">01018ET3ESS215TC</a>	\$2,452	12.20	<a href="#">CFW080280TDN4A1Z</a>	\$2,266	<a href="#">CFW080160TGN4A1Z</a>	\$2,144

# Shark™ Motor and CFW08 Washdown Drive Quick Selection Guide

Optimal Match



## Shark™ - Stainless Steel - TENV - C-Face - Footless

HP	RPM	Volts	Catalog Number	Motor List Price	460V Amps	230V Drive	Drive List Price	460V Drive	List Price
0.33	1800	230/460	.3318EP3ESS56CFL	\$550	0.53	CFW080073BDN4A1Z	\$929	CFW080027TGN4A1Z	\$894
0.5	3600	230/460	.5036EP3ESS56CFL	\$569	0.65	CFW080073BDN4A1Z	\$929	CFW080027TGN4A1Z	\$894
	1800	230/460	.5018EP3ESS56CFL	\$575	0.73	CFW080073BDN4A1Z	\$929	CFW080027TGN4A1Z	\$894
0.75	1200	230/460	.5012EP3ESS56CFL	\$682	0.86	CFW080073BDN4A1Z	\$929	CFW080027TGN4A1Z	\$894
	3600	230/460	.7536EP3ESS56CFL	\$590	1.02	CFW080073BDN4A1Z	\$929	CFW080027TGN4A1Z	\$894
	1800	230/460	.7518EP3ESS56CFL	\$616	1.06	CFW080073BDN4A1Z	\$929	CFW080027TGN4A1Z	\$894
1	1200	230/460	.7512EP3ESS56CFL	\$723	0.22	CFW080073BDN4A1Z	\$929	CFW080027TGN4A1Z	\$894
	3600	230/460	00136NT3ESS56CFL	\$713	1.45	CFW080073BDN4A1Z	\$929	CFW080027TGN4A1Z	\$894
	1800	230/460	00118NT3ESS56CFL	\$735	1.46	CFW080073BDN4A1Z	\$929	CFW080027TGN4A1Z	\$894
	1800	230/460	00118NT3ESS143TCFL	\$889	1.46	CFW080073BDN4A1Z	\$929	CFW080027TGN4A1Z	\$894

## Shark™ - Stainless Steel - TEFC - C-Face - Footless

HP	RPM	Volts	Catalog Number	Motor List Price	460V Amps	230V Drive	List Price	460V Drive	List Price
1	3600	230/460	00136ET3ESS56CFL	\$701	1.45	CFW080073BDN4A1Z	\$929	CFW080027TGN4A1Z	\$894
	1800	230/460	00118ET3ESS56CFL	\$723	1.46	CFW080073BDN4A1Z	\$929	CFW080027TGN4A1Z	\$894
	1800	230/460	00118ET3ESS143TCFL	\$857	1.46	CFW080073BDN4A1Z	\$929	CFW080027TGN4A1Z	\$894
1.5	3600	230/460	00156ET3ESS56CFL	\$825	1.99	CFW080073BDN4A1Z	\$929	CFW080027TGN4A1Z	\$894
	3600	230/460	00156ET3ESS143TCFL	\$858	1.99	CFW080073BDN4A1Z	\$929	CFW080027TGN4A1Z	\$894
	1800	230/460	00158ET3ESS56CFL	\$846	2.06	CFW080073BDN4A1Z	\$929	CFW080027TGN4A1Z	\$894
	1800	230/460	00158ET3ESS145TCFL	\$872	2.06	CFW080073BDN4A1Z	\$929	CFW080027TGN4A1Z	\$894
2	3600	230/460	00236ET3ESS56CFL	\$989	2.55	CFW080073BDN4A1Z	\$929	CFW080043TGN4A1Z	\$1,118
	3600	230/460	00236ET3ESS145TCFL	\$1,113	2.55	CFW080073BDN4A1Z	\$929	CFW080043TGN4A1Z	\$1,118
	1800	230/460	00218ET3ESS56CFL	\$1,001	2.71	CFW080073BDN4A1Z	\$929	CFW080043TGN4A1Z	\$1,118
	1800	230/460	00218ET3ESS145TCFL	\$1,219	2.78	CFW080073BDN4A1Z	\$929	CFW080043TGN4A1Z	\$1,118
3	3600	230/460	00336ET3ESS145TCFL	\$1,564	3.78	CFW080100BDN4A1Z	\$1,039	CFW080065TGN4A1Z	\$1,331
	3600	230/460	00336ET3ESS182TCFL	\$1,564	3.73	CFW080100BDN4A1Z	\$1,039	CFW080043TGN4A1Z	\$1,118
	1800	230/460	00318ET3ESS182TCFL	\$1,453	3.92	CFW080100BDN4A1Z	\$1,039	CFW080065TGN4A1Z	\$1,331
5	3600	230/460	00536ET3ESS184TCFL	\$1,779	6.01	CFW080160TDN4A1Z	\$1,228	CFW080100TGN4A1Z	\$1,516
	1800	230/460	00518ET3ESS184TCFL	\$1,607	6.54	CFW080160TDN4A1Z	\$1,228	CFW080100TGN4A1Z	\$1,516
7.5	3600	230/460	00736ET3ESS213TCFL	\$2,208	8.82	CFW080220TDN4A1Z	\$1,769	CFW080130TGN4A1Z	\$1,856
	1800	230/460	00718ET3ESS213TCFL	\$2,201	9.12	CFW080220TDN4A1Z	\$1,769	CFW080130TGN4A1Z	\$1,856
10	3600	230/460	01036ET3ESS215TCFL	\$2,713	11.50	CFW080280TDN4A1Z	\$2,266	CFW080160TGN4A1Z	\$2,144
	1800	230/460	01018ET3ESS215TCFL	\$2,452	12.20	CFW080280TDN4A1Z	\$2,266	CFW080160TGN4A1Z	\$2,144

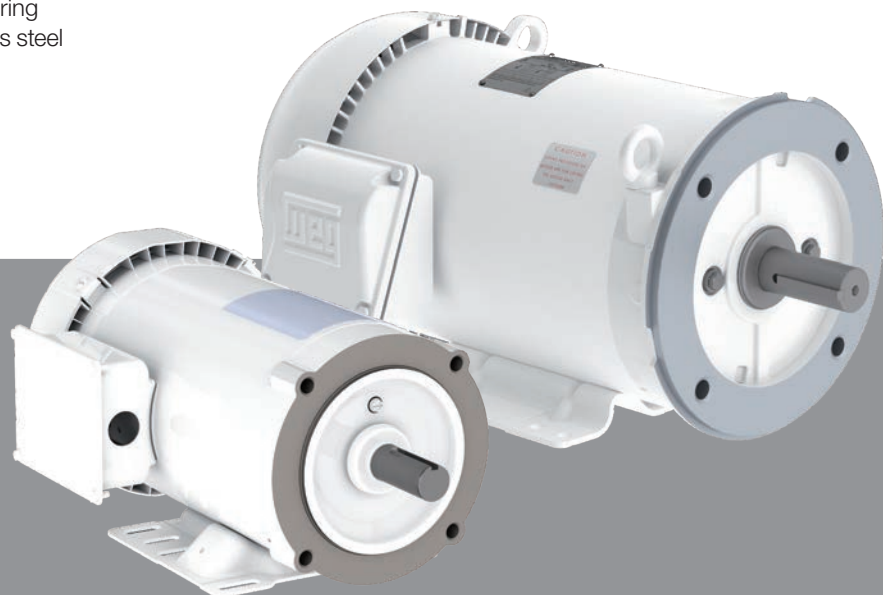
The Washdown line was designed to meet the requirements of industries where there is a constant need for hygiene and cleanliness of the environment through high pressure water jets and/or chemical products. Washdown motors are applied in food, beverage and pharmaceutical industries.

## Standard Features

- Output: 1/2 up to 25 HP
- Frames: 56 up to 254/6T
- Number of poles: 2 up to 6
- Certification CSA/UL
- Efficiency: NEMA Standard and NEMA Premium
- Voltage:
  - Frames 56 and 145T - 208-230/460 V with 9 leads
  - Frames 182/4T and 213/5T - 208-230/460//190-220/380-415 V with 9 leads
  - Frames 254/6T - 208-230/460//190-220/380-415 V with 12 leads
- Service factor: 1.15
- Mounting: F-1
- Insulation class "F" ( $\Delta T$  80 K)
- Degree of protection: IP56
- Shaft material: Stainless Steel (AISI 304)
- Bearing type: Shielded (2RS)
- Permatex on joints for frames 182/4T and above
- Viton O'Ring on joints for frames 56 and 145T
- Color: Porcelain White - Munsell N 9.5
- Coating NOBAC® for frames 180 and above
- Internal painting: Tropicalized (Epoxy for frames 180 and above)
- Breather on non drive endshield
- Vibration: Grade A
- Drive end bearing seal:
  - Frames 56 and 145T - Oil seal stainless steel spring + slinger (stainless steel)
  - Frames from 182/4T and above - Oil seal stainless steel spring + slinger (stainless steel)
- Non drive end bearing seal:
  - Frames 56 and 145T - Oil seal stainless steel spring
  - Frames from 182/4T and above - Oil seal stainless steel
- Type of grease: Mobil Polyrex EM
- Fan material: plastic
- Aluminium flanges
- Terminal box material: Aluminium
- External screws and key: Stainless Steel

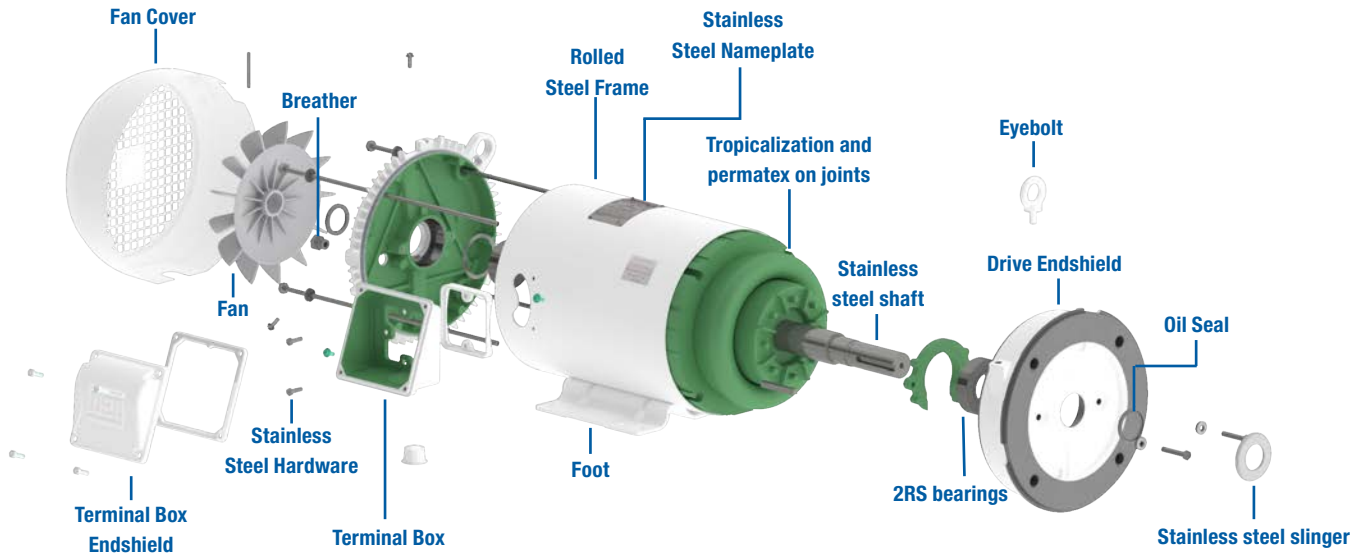
## Optionals

- Other mountings
- Voltage: 575 V with 6 leads
- Space heaters
- Thermal protection
- Cable glands
- Threaded center hole (shaft)
- Vibration: Grade B
- SGR shaft grounding ring (Inverter use)
- Shaft material: Stainless Steel (AISI 316)





## Superior Products - Superior Parts





Find the **Optimal Match** for your **HydroWash™** Motor on page 15



**Foot Mount**

HP	RPM	Frame	Catalog Number	List Price	Multi.	Enclosure	HZ	SF	FL Amps @ high	C Dim	kVA Code	Appr. Ship. Wt (lbs)
0.5	1725	56C	<a href="#">.5018NT3EHW56CZ</a>	\$644	S2	TENV	60	1.15	0.80	10.230	L	27
0.75	1725	56C	<a href="#">.7518NT3EHW56CZ</a>	\$720	S2	TENV	60	1.15	1.20	10.990	M	33
1	1725	56C	<a href="#">00118NT3EHW56CZ</a>	\$843	S2	TENV	60	1.15	1.50	11.980	K	40
	1725	145TC	<a href="#">00118NT3EHW143TCZ</a>	\$859	S2	TENV	60	1.15	1.50	12.040	K	40
1.5	1725	56C	<a href="#">00158ET3EHW56CZ</a>	\$860	S2	TEFC	60	1.15	2.20	14.460	K	42
	1725	145TC	<a href="#">00158ET3EHW145TCZ</a>	\$880	S2	TEFC	60	1.15	2.20	14.570	K	42
2	1725	56C	<a href="#">00218ET3EHW56CZ</a>	\$1,035	S2	TEFC	60	1.15	2.80	14.550	K	49
	1725	145TC	<a href="#">00218ET3EHW145TCZ</a>	\$1,060	S2	TEFC	60	1.15	2.80	14.550	K	49
	1200	182/4TC	<a href="#">00212ET3EHW184TC-S</a>	\$1,410	S2	TEFC	60	1.15	3.0	17.126	K	91
3	3600	182/4TC	<a href="#">00336ET3EHW182TC-S</a>	\$1,409	S2	TEFC	60	1.15	3.7	16.339	K	77
	1800	182/4TC	<a href="#">00318ET3EHW182TC-S</a>	\$1,380	S2	TEFC	60	1.15	3.8	17.913	K	94
	1200	213/5TC	<a href="#">00312ET3EHW213TC-S</a>	\$1,850	S2	TEFC	60	1.15	4.2	19.291	H	144
5	3600	182/4TC	<a href="#">00536ET3EHW184TC-S</a>	\$1,700	S2	TEFC	60	1.15	5.9	17.913	J	92
	1800	182/4TC	<a href="#">00518ET3EHW184TC-S</a>	\$1,728	S2	TEFC	60	1.15	6.5	17.913	J	88
	1200	213/5TC	<a href="#">00512ET3EHW215TC-S</a>	\$2,185	S2	TEFC	60	1.15	6.7	20.079	H	156
7.5	3600	182/4TC	<a href="#">00736ET3EHW184TC-S</a>	\$2,082	S2	TEFC	60	1.15	8.6	17.126	H	96
	3600	213/5TC	<a href="#">00736ET3EHW213TC-S</a>	\$2,214	S2	TEFC	60	1.15	8.7	20.079	H	145
	1800	213/5TC	<a href="#">00718ET3EHW213TC-S</a>	\$2,230	S2	TEFC	60	1.15	9.1	18.898	H	136
	1200	254/6TC	<a href="#">00712ET3EHW254TC-S</a>	\$3,795	S2	TEFC	60	1.15	10.0	22.559	G	239
10	3600	213/5TC	<a href="#">01036ET3EHW215TC-S</a>	\$2,650	S2	TEFC	60	1.15	11.5	21.654	H	175
	1800	213/5TC	<a href="#">01018ET3EHW215TC-S</a>	\$2,568	S2	TEFC	60	1.15	12.2	19.291	H	147
	1200	254/6TC	<a href="#">01012ET3EHW256TC-S</a>	\$4,345	S2	TEFC	60	1.15	13.8	23.346	G	269
15	3600	213/5TC	<a href="#">01536ET3EHW215TC-S</a>	\$3,250	S2	TEFC	60	1.15	17.0	21.654	J	171
	3600	254/6TC	<a href="#">01536ET3EHW254TC-S</a>	\$4,859	S2	TEFC	60	1.15	17.4	22.559	G	210
	1800	254/6TC	<a href="#">01518ET3EHW254TC-S</a>	\$4,826	S2	TEFC	60	1.15	18.2	22.559	G	242
20	3600	254/6TC	<a href="#">02036ET3EHW256TC-S</a>	\$5,772	S2	TEFC	60	1.15	22.7	23.346	G	248
	1800	254/6TC	<a href="#">02018ET3EHW256TC-S</a>	\$5,830	S2	TEFC	60	1.15	24.7	23.346	H	271
25	3600	254/6TC	<a href="#">02536ET3EHW256TC-S</a>	\$6,887	S2	TEFC	60	1.15	28.5	23.346	J	258

continued on next page

# HydroWash™



Find the **Optimal Match** for your **HydroWash™** Motor on page 16



## Footless

HP	RPM	Frame	Catalog Number	List Price	Multi.	Enclosure	HZ	SF	FL Amps @ high	C Dim	kVA Code	Appr. Ship. Wt (lbs)
0.5	1725	56C	<a href="#">.5018NT3EHW56CZFL</a>	<b>\$625</b>	S2	TENV	60	1.15	0.80	10.230	L	27
0.75	1725	56C	<a href="#">.7518NT3EHW56CZFL</a>	<b>\$699</b>	S2	TENV	60	1.15	1.11	10.990	L	33
1	1725	56C	<a href="#">00118NT3EHW56CZFL</a>	<b>\$815</b>	S2	TENV	60	1.15	1.50	11.980	K	40
	1725	145TC	<a href="#">00118NT3EHW145TCZ</a>	<b>\$830</b>	S2	TENV	60	1.15	1.50	12.040	K	40
1.5	1725	56C	<a href="#">00158ET3EHW56CZFL</a>	<b>\$830</b>	S2	TEFC	60	1.15	2.20	14.460	K	42
	1725	145TC	<a href="#">00158ET3EHW145TCZ</a>	<b>\$850</b>	S2	TEFC	60	1.15	2.20	14.530	K	42
2	1725	56C	<a href="#">00218ET3EHW56CZFL</a>	<b>\$995</b>	S2	TEFC	60	1.15	2.80	14.550	K	49
	1725	145TC	<a href="#">00218ET3EHW145TCZ</a>	<b>\$1,020</b>	S2	TEFC	60	1.15	2.80	14.550	K	49
3	1800	182/4TC	<a href="#">00318ET3EHW182TC-S</a>	<b>\$1,259</b>	S2	TEFC	60	1.15	3.81	17.913	K	94
5	3600	182/4TC	<a href="#">00536ET3EHW182TC-S</a>	<b>\$1,600</b>	S2	TEFC	60	1.15	5.90	17.913	J	92
	1800	182/4TC	<a href="#">00518ET3EHW184TC-S</a>	<b>\$1,592</b>	S2	TEFC	60	1.15	6.49	17.913	J	87
7.5	3600	213/5TC	<a href="#">00736ET3EHW213TC-S</a>	<b>\$2,010</b>	S2	TEFC	60	1.15	8.67	20.079	H	151
	1800	213/5TC	<a href="#">00718ET3EHW213TC-S</a>	<b>\$2,011</b>	S2	TEFC	60	1.15	9.07	18.898	H	137
10	3600	213/5TC	<a href="#">01036ET3EHW215TC-S</a>	<b>\$2,442</b>	S2	TEFC	60	1.15	11.50	21.654	H	180
		213/5TC	<a href="#">01018ET3EHW215TC-S</a>	<b>\$2,394</b>	S2	TEFC	60	1.15	12.20	19.291	H	147
15	3600	213/5TC	<a href="#">01536ET3EHW215TC-S</a>	<b>\$3,052</b>	S2	TEFC	60	1.15	17.00	21.654	J	176



## Rigid Base

HP	RPM	Frame	Catalog Number	List Price	Multi.	Enclosure	HZ	SF	FL Amps @ high	C Dim	kVA Code	Appr. Ship. Wt (lbs)
3	3600	182/4T	<a href="#">00336ET3EHW182T-S</a>	<b>\$1,340</b>	TEFC	60	1.15	1.15	3.7	16.339	K	67
	1800	182/4T	<a href="#">00318ET3EHW182T-S</a>	<b>\$1,315</b>	TEFC	60	1.15	1.15	3.8	17.913	K	89
5	3600	182/4T	<a href="#">00536ET3EHW184T-S</a>	<b>\$1,628</b>	TEFC	60	1.15	1.15	5.9	17.913	J	87
	1800	182/4T	<a href="#">00518ET3EHW184T-S</a>	<b>\$1,640</b>	TEFC	60	1.15	1.15	6.5	17.913	J	82
7.5	3600	182/4T	<a href="#">00736ET3EHW184T-S</a>	<b>\$1,978</b>	TEFC	60	1.15	1.15	8.6	17.126	H	91
	3600	213/5T	<a href="#">00736ET3EHW213T-S</a>	<b>\$2,040</b>	TEFC	60	1.15	1.15	8.7	20.079	H	145
	1800	213/5T	<a href="#">00718ET3EHW213T-S</a>	<b>\$2,046</b>	TEFC	60	1.15	1.15	9.1	18.898	H	133
10	1800	213/5T	<a href="#">01018ET3EHW215T-S</a>	<b>\$2,350</b>	TEFC	60	1.15	1.15	12.2	19.291	H	140
15	1800	254/6T	<a href="#">01518ET3EHW254T-S</a>	<b>\$4,602</b>	TEFC	60	1.15	1.15	18.2	22.559	G	236
20	1800	254/6T	<a href="#">02018ET3EHW256T-S</a>	<b>\$5,571</b>	TEFC	60	1.15	1.15	24.7	23.346	H	266

# HydroWash™ Motor and CFW08 Washdown Drive Quick Selection Guide



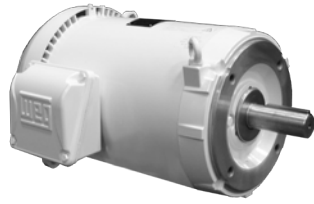
## HydroWash™ - White Epoxy - TEFC - C-Face - Foot Mount

HP	RPM	Volts	Catalog Number	Motor List Price	FL Amps @ high	230V Drive	Drive List Price	460V Drive	Drive List Price
0.5	1800	230/460	.5018NT3EHW56CZ*	\$644	0.80	CFW080073BDN4A1Z	\$929	CFW080027TGN4A1Z	\$894
0.75	1800	230/460	.7518NT3EHW56CZ*	\$720	1.20	CFW080073BDN4A1Z	\$929	CFW080027TGN4A1Z	\$894
1	1800	230/460	00118NT3EHW56CZ*	\$843	1.50	CFW080073BDN4A1Z	\$929	CFW080027TGN4A1Z	\$894
		230/460	00118NT3EHW143TCZ*	\$859	1.50	CFW080073BDN4A1Z	\$929	CFW080027TGN4A1Z	\$894
1.5	1800	230/460	00158ET3EHW56CZ	\$860	2.20	CFW080073BDN4A1Z	\$929	CFW080027TGN4A1Z	\$894
		230/460	00158ET3EHW145TCZ	\$880	2.20	CFW080073BDN4A1Z	\$929	CFW080027TGN4A1Z	\$894
2	1800	230/460	00218ET3EHW56CZ	\$1,035	2.80	CFW080073BDN4A1Z	\$929	CFW080043TGN4A1Z	\$1,118
		230/460	00218ET3EHW145TCZ	\$1,060	2.80	CFW080073BDN4A1Z	\$929	CFW080043TGN4A1Z	\$1,118
2	1200	230/460	00212ET3EHW184TC-S	\$1,410	3.0	CFW080073BDN4A1Z	\$929	CFW080043TGN4A1Z	\$1,118
3	3600	230/460	00336ET3EHW182TC-S	\$1,409	3.7	CFW080100BDN4A1Z	\$1,039	CFW080043TGN4A1Z	\$1,118
3	1800	230/460	00318ET3EHW182TC-S	\$1,380	3.8	CFW080100BDN4A1Z	\$1,039	CFW080065TGN4A1Z	\$1,331
3	1200	230/460	00312ET3EHW213TC-S	\$1,850	4.2	CFW080100BDN4A1Z	\$1,039	CFW080065TGN4A1Z	\$1,331
5	3600	230/460	00536ET3EHW184TC-S	\$1,700	5.9	CFW080160TDN4A1Z	\$1,228	CFW080100TGN4A1Z	\$1,516
5	1800	230/460	00518ET3EHW184TC-S	\$1,728	6.5	CFW080160TDN4A1Z	\$1,228	CFW080100TGN4A1Z	\$1,516
5	1200	230/460	00512ET3EHW215TC-S	\$2,185	6.7	CFW080160TDN4A1Z	\$1,228	CFW080100TGN4A1Z	\$1,516
7.5	3600	230/460	00736ET3EHW184TC-S	\$2,082	8.6	CFW080220TDN4A1Z	\$1,769	CFW080100TGN4A1Z	\$1,516
7.5	3600	230/460	00736ET3EHW213TC-S	\$2,214	8.7	CFW080220TDN4A1Z	\$1,769	CFW080100TGN4A1Z	\$1,516
7.5	1800	230/460	00718ET3EHW213TC-S	\$2,230	9.1	CFW080220TDN4A1Z	\$1,769	CFW080130TGN4A1Z	\$1,856
7.5	1200	230/460	00712ET3EHW254TC-S	\$3,795	10.0	CFW080280TDN4A1Z	\$2,266	CFW080130TGN4A1Z	\$1,856
10	3600	230/460	01036ET3EHW215TC-S	\$2,650	11.5	CFW080280TDN4A1Z	\$2,266	CFW080160TGN4A1Z	\$2,144
10	1800	230/460	01018ET3EHW215TC-S	\$2,568	12.2			CFW080160TGN4A1Z	\$2,144
10	1200	230/460	01012ET3EHW256TC-S	\$4,345	13.8			CFW080160TGN4A1Z	\$2,144
15	3600	230/460	01536ET3EHW215TC-S	\$3,250	17.0			CFW080240TGN4A1Z	\$2,876
15	3600	230/460	01536ET3EHW254TC-S	\$4,859	17.4			CFW080240TGN4A1Z	\$2,876
15	1800	230/460	01518ET3EHW254TC-S	\$4,826	18.2			CFW080240TGN4A1Z	\$2,876
20	3600	230/460	02036ET3EHW256TC-S	\$5,772	22.7			CFW080300TGN4A1Z	\$3,474
20	1800	230/460	02018ET3EHW256TC-S	\$5,830	24.7			CFW080300TGN4A1Z	\$3,474
25	3600	230/460	02536ET3EHW256TC-S	\$6,887	28.5				

\* TENV

continued on next page





### HydroWash™ - White Epoxy - TEFC - C-Face - Footless

HP	RPM	Volts	Catalog Number	Motor List Price	460V Amps	230V Drive	Drive List Price	460V Drive	Drive List Price
0.5	1800	230/460	.5018NT3EHW56CZFL*	\$510	0.80	CFW080073BDN4A1Z	\$929	CFW080027TGN4A1Z	\$894
0.75	1800	230/460	.7518NT3EHW56CZFL*	\$553	1.20	CFW080073BDN4A1Z	\$929	CFW080027TGN4A1Z	\$894
1	1800	230/460	00118NT3EHW56CZFL*	\$599	1.50	CFW080073BDN4A1Z	\$929	CFW080027TGN4A1Z	\$894
		230/460	00118NT3EHW143TCZ*	\$628	1.50	CFW080073BDN4A1Z	\$929	CFW080027TGN4A1Z	\$894
1.5	1800	230/460	00158ET3EHW56CZFL	\$830	2.20	CFW080073BDN4A1Z	\$929	CFW080027TGN4A1Z	\$894
		230/460	00158ET3EHW145TCZ	\$850	2.20	CFW080073BDN4A1Z	\$929	CFW080027TGN4A1Z	\$894
2	1800	230/460	00218ET3EHW56CZFL	\$995	2.80	CFW080073BDN4A1Z	\$929	CFW080043TGN4A1Z	\$1,118
		230/460	00218ET3EHW145TCZ	\$1,020	2.80	CFW080073BDN4A1Z	\$929	CFW080043TGN4A1Z	\$1,118
3	1800	230/460	00318ET3EHW182TC-S	\$1,259	3.81	CFW080100BDN4A1Z	\$1,039	CFW080065TGN4A1Z	\$1,331
5	3600	230/460	00536ET3EHW182TC-S	\$1,600	5.90	CFW080160TDN4A1Z	\$1,228	CFW080100TGN4A1Z	\$1,516
5	1800	230/460	00518ET3EHW184TC-S	\$1,592	6.49	CFW080160TDN4A1Z	\$1,228	CFW080100TGN4A1Z	\$1,516
7.5	3600	230/460	00736ET3EHW213TC-S	\$2,010	8.67	CFW080220TDN4A1Z	\$1,769	CFW080100TGN4A1Z	\$1,516
7.5	1800	230/460	00718ET3EHW213TC-S	\$2,011	9.07	CFW080220TDN4A1Z	\$1,769	CFW080130TGN4A1Z	\$1,856
10	3600	230/460	01036ET3EHW215TC-S	\$2,442	11.50	CFW080280TDN4A1Z	\$2,266	CFW080160TGN4A1Z	\$2,144
10	1800	230/460	01018ET3EHW215TC-S	\$2,394	12.20			CFW080160TGN4A1Z	\$2,144
15	3600	230/460	01536ET3EHW215TC-S	\$3,052	17.00			CFW080240TGN4A1Z	\$2,876

\*TENV



### HydroWash™ - White Epoxy - TEFC - Rigid Base

HP	RPM	Volts	Catalog Number	Motor List Price	460V Amps	230V Drive	Drive List Price	460V Drive	Drive List Price
3	3600	230/460	00336ET3EHW182T-S	\$1,340	3.7	CFW080100BDN4A1Z	\$1,039	CFW080043TGN4A1Z	\$1,118
3	1800	230/460	00318ET3EHW182T-S	\$1,315	3.8	CFW080100BDN4A1Z	\$1,039	CFW080065TGN4A1Z	\$1,331
5	3600	230/460	00536ET3EHW184T-S	\$1,628	5.9	CFW080160TDN4A1Z	\$1,228	CFW080100TGN4A1Z	\$1,516
5	1800	230/460	00518ET3EHW184T-S	\$1,640	6.5	CFW080160TDN4A1Z	\$1,228	CFW080100TGN4A1Z	\$1,516
7.5	3600	230/460	00736ET3EHW184T-S	\$1,978	8.6	CFW080220TDN4A1Z	\$1,769	CFW080100TGN4A1Z	\$1,516
7.5	3600	230/460	00736ET3EHW213T-S	\$2,040	8.7	CFW080220TDN4A1Z	\$1,769	CFW080100TGN4A1Z	\$1,516
7.5	1800	230/460	00718ET3EHW213T-S	\$2,046	9.1	CFW080220TDN4A1Z	\$1,769	CFW080130TGN4A1Z	\$1,856
10	1800	230/460	01018ET3EHW215T-S	\$2,350	12.2			CFW080160TGN4A1Z	\$2,144
15	1800	230/460	01518ET3EHW254T-S	\$4,602	18.2			CFW080240TGN4A1Z	\$2,876
20	1800	230/460	02018ET3EHW256T-S	\$5,571	24.7			CFW080300TGN4A1Z	\$3,474



# Variable Frequency Drive - CFW08 WASH

The WEG CFW08 WASH Series is a redesign of our successful uline VFDs. Engineering improvements have produced one of the most compact and full featured microdrives in the marketplace.

Outstanding features and options in a NEMA 4 enclosure allow the CFW08 WASH to be successfully used in a large variety of washdown applications.

## Standard Features

- Same programming as other WEG VFD's
- V/Hz and Sensorless Vector Control
- NEMA 4X(IP56) Enclosure
- Single and Three-phase input voltage
- 200-240V, 380-480V or 500-600 input voltage
- 150% current overload capacity
- 16 bit DSP controlled PWM output
- 2.5 / 5 / 10 / 15 kHz adjustable switching frequency
- Four isolated programmable digital inputs
- Two programmable relay outputs (1NO, 1NC, 240vac 0.5A)
- Two isolated programmable analog inputs (0-10V, 0/4-20mA)
- Protective features: Over current, motor overload, drive over temperature, output phase-to-phase and phase-to-ground short circuit, DC bus over and under voltage and external fault
- Control features: Linear and "S" ramp acceleration and deceleration, local/remote control, DC braking, torque boost, motor slip compensation, electronic pot, preset speeds, adjustable V/Hz profile, maximum and minimum adjustable frequency limits, two skip frequencies, adjustable output current limit, JOG, ride-thru, flying start and PID regulator.
- Display readings: Motor speed, frequency, voltage, current, last fault, heatsink temperature and drive status
- Ambient: 32°F (0°C) to 104°F (40°C), 3300ft (1000m) altitude, 90% humidity, non-condensing
- SuperDrive (G1) compatible



## Applications NEMA 4X

- Pumps
- Fans
- Blowers
- Conveyors
- Rollout tables
- Agitators
- Mixers
- Any washdown applications

## Optional Features

- Dynamic Braking Resistors available
  - Remote Keypad with Copy Function
  - RS-232 or RS-485 Serial Interface
  - Modbus Communication\*
  - DIN rail mounting through 2HP
- \*Requires optional RS-232 or RS-485 Interface



# Variable Frequency Drive - CFW08 WASH

## Wash Down - NEMA 4X Enclosure

Motor Voltage	Motor HP <sup>1</sup>	Drive Amps <sup>2</sup>	Catalog Number	Braking Transistor	Frame Size	Dimensions (in.) HxWxD	Approx. Weight (lbs.)	List Price	Multiplier	
230 Vac	<b>Input Power Supply: Single or Three-Phase 200-240 Vac</b>									
	2	7.3	CFW080073BDN4A1Z	Yes	A	10.4 x 6.5 x 8.5	5	\$929	V1	
	3	10.0	CFW080100BDN4A1Z	Yes	A	10.4 x 6.5 x 8.5	5	\$1,039	V1	
	<b>Input Power Supply: Three-Phase 230 Vac</b>									
	5	16	CFW080160TDN4A1Z	Yes	A	10.4 x 6.5 x 8.5	5	\$1,228	V1	
	7 1/2	22	CFW080220TDN4A1Z	Yes	B	13.4 x 8.5 x 8.5	18	\$1,769	V1	
10	28	CFW080280TDN4A1Z	Yes	B	13.4 x 8.5 x 8.5	18	\$2,266	V1		
460 Vac	<b>Input Power Supply: Three-Phase 380-480 Vac</b>									
	1	2.7	CFW080027TGN4A1Z	Yes	A	10.4 x 6.5 x 8.5	5	\$894	V1	
	2	4.3	CFW080043TGN4A1Z	Yes	A	10.4 x 6.5 x 8.5	5	\$1,118	V1	
	3	6.5	CFW080065TGN4A1Z	Yes	A	10.4 x 6.5 x 8.5	5	\$1,331	V1	
	5	10	CFW080100TGN4A1Z	Yes	A	10.4 x 6.5 x 8.5	5	\$1,516	V1	
	7 1/2	13	CFW080130TGN4A1Z	Yes	B	13.4 x 8.5 x 8.5	18	\$1,856	V1	
	10	16	CFW080160TGN4A1Z	Yes	B	13.4 x 8.5 x 8.5	18	\$2,144	V1	
	15	24	CFW080240TGN4A1Z	Yes	B	13.4 x 8.5 x 8.5	18	\$2,876	V1	
20	30	CFW080300TGN4A1Z	Yes	B	13.4 x 8.5 x 8.5	18	\$3,474	V1		
575 Vac <sup>3</sup>	<b>Input Power Supply: Three-Phase 500-600 Vac</b>									
	1	1.7	CFW080017THN4A1Z	Yes	B	13.4 x 8.5 x 8.5	18	\$1,259	V1	
	2	3.0	CFW080030THN4A1Z	Yes	B	13.4 x 8.5 x 8.5	18	\$1,421	V1	
	3	4.3	CFW080043THN4A1Z	Yes	B	13.4 x 8.5 x 8.5	18	\$1,485	V1	
	5	7.0	CFW080070THN4A1Z	Yes	B	13.4 x 8.5 x 8.5	18	\$1,767	V1	
	7 1/2	10	CFW080100THN4A1Z	Yes	B	13.4 x 8.5 x 8.5	18	\$2,077	V1	
10	12	CFW080120THN4A1Z	Yes	B	13.4 x 8.5 x 8.5	18	\$2,388	V1		

**Notes:**

- 1) "HP" rating based on "average FLA values". Use as a guide only.
  - 2) Motor FLA may vary with speed and manufacturer. ALWAYS compare motor FLA to Nominal AMPS of drive.
  - 3) All 575V drives are non-stocked items. Consult WEG for availability.
- For other technical data please refer to WEG product manual.

## CFW08 WASH Catalog Number Sequence

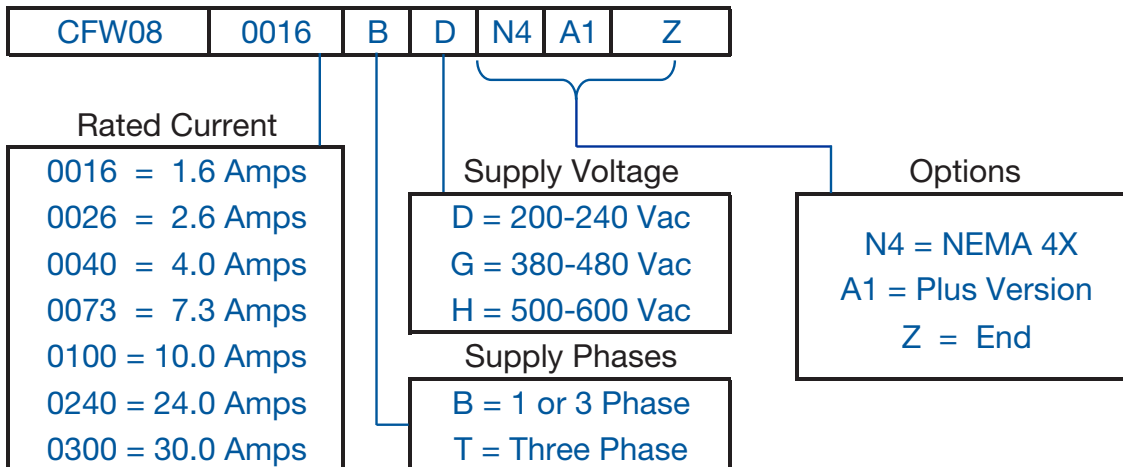


Table intended as reference only and not to create part numbers.



## Variable Frequency Drive - CFW08 WASH

### Options and Accessories

Type	Catalog Number	Description	List Price	Multiplier
Keypad	<b>HMI-CFW08-RS</b>	NEMA12 Remote Keypad (requires MIS-CFW08-RS & cable)	<b>\$135</b>	V1
	<b>MIS-CFW08-RS</b>	Remote Keypad Interface	<b>\$64</b>	V1
	<b>TCL-CFW08</b>	Keypad Cover	<b>\$13</b>	V1
	<b>CAB-RS-1</b>	3.3 ft (1m) Remote Keypad Cable	<b>\$23</b>	V1
	<b>CAB-RS-2</b>	6.6 ft (2m) Remote Keypad Cable	<b>\$31</b>	V1
	<b>CAB-RS-3</b>	9.9 ft (3m) Remote Keypad Cable	<b>\$41</b>	V1
	<b>CAB-RS-5</b>	16 ft (3m) Remote Keypad Cable	<b>\$51</b>	V1
	<b>CAB-RS-7.5</b>	25 ft (7.5m) Remote Keypad Cable	<b>\$62</b>	V1
	<b>CAB-RS-10</b>	33 ft (10m) Remote Keypad Cable	<b>\$72</b>	V1
I/O	<b>KAC-120-CFW08</b>	120VAC Digital Input Adaptor Board (4 inputs)	<b>\$145</b>	V1
Communication	<b>KCS-CFW08</b>	RS-232 Serial Comm. Module (mounted in place of keypad)	<b>\$97</b>	V1
	<b>MIW-02</b>	RS-232/485 Converter (mounted externally)	<b>\$221</b>	V1
	<b>KSD-CFW08</b>	PC Communication Kit	<b>\$124</b>	V1
	<b>KRS-485-CFW08</b>	Interface for RS-485 Communication	<b>\$186</b>	V1
DC Power Supply	<b>KDC-24V-CFW08</b>	24VDC power supply with standard CFW08 HMI integrated	<b>\$177</b>	V1
	<b>KDC-24VR-CFW08</b>	24VDC power supply with interface for remote keypad	<b>\$211</b>	V1
Remote Oper. Station	<b>CSW-SP3PBS</b>	Remote Operator Station-includes 22mm Start PB, Stop PB, 1-NC and 1-NO contact block, 5k-ohm Potentiometer and legends (replaces CFW-REM)	<b>\$460</b>	Z5
	<b>CSW30-SP3PBS</b>	Remote Operator Station-includes 30mm Start PB, Stop PB, 1-NC and 1-NO contact block, 5k-ohm Potentiometer and legends (replaces CFW-REM)	<b>\$535</b>	Z5



# Variable Frequency Drive - CFW08 WASH



## Dynamic Braking Resistors for CFW08 WASH

NON-STOCK (call for lead time)

10% Duty Cycle

Motor Voltage	Motor HP <sup>1</sup>	CFW08 Catalog Number	WEG DB Resistor Catalog Number <sup>2</sup>	Ohms	Watts	List Price	Multiplier
230 Vac	<b>Input Power Supply: Single or Three-Phase 200-240 Vac</b>						
	2	CFW080073BDN4A1Z	<b>CFDB39-224</b>	39	224	<b>\$183</b>	V1
	3	CFW080100BDN4A1Z	<b>CFDB27-298</b>	27	298	<b>\$183</b>	V1
	5	CFW080160TDN4A1Z	<b>CFDB22-373</b>	22	373	<b>\$183</b>	V1
	7 1/2	CFW080220TDN4A1Z	<b>CFDB15-560</b>	15	560	<b>\$319</b>	V1
	10	CFW080280TDN4A1Z	<b>CFDB10-746</b>	10	746	<b>\$319</b>	V1
460 Vac	<b>Input Power Supply: Three-Phase 380-480 Vac</b>						
	1	CFW080027TGN1A1Z	<b>CFDB120-298</b>	120	298	<b>\$183</b>	V1
	2	CFW080043TGN1A1Z	<b>CFDB120-298</b>	120	298	<b>\$183</b>	V1
	3	CFW080065TGN1A1Z	<b>CFDB100-224</b>	100	224	<b>\$183</b>	V1
	5	CFW080100TGN1A1Z	<b>CFDB47-746</b>	47	746	<b>\$319</b>	V1
	7 1/2	CFW080130TGN1A1Z	<b>CFDB33-746</b>	33	746	<b>\$319</b>	V1
	10	CFW080160TGN1A1Z	<b>CFDB33-746</b>	33	746	<b>\$319</b>	V1
	15	CFW080240TGN1A1Z	<b>CFDB22-1119</b>	22	1119	<b>\$481</b>	V1
20	CFW080300TGN1A1Z	<b>CFDB18-1492</b>	18	1492	<b>\$638</b>	V1	

Notes:

- 1) "HP" rating based on "average FLA values". Use as a guide only.
- 2) Dynamic Braking Resistors are non-stock items. Consult WEG for availability



## Variable Frequency Drive - CFW08 WASH

### Technical Data

<b>Power Supply</b>	Voltage	Single Phase or Three Phase	200-240V (+10%, -15%)
		Three phase	380-480V (+10%, -15%)
	Frequency	50 / 60Hz +/- 2Hz	
	Displacement Power Factor (Cos)	Greater than 0.98	
<b>Enclosure</b>	Degree of Protection	NEMA 4	
<b>Control</b>	Control Modes	Volts per Hertz (Scalar)	
		Sensorless Voltage Vector VVV	
	Power Output	Sinusoidal PWM (Space Vector Modulation)	
		IGBT Transistors	
	Switching Frequency	2.5, 5, 10 or 15kHz	
	Frequency Range	0-300 Hz	
	Overload Capacity	150% for 60 seconds, repeatable every 10 min.	
<b>Control Inputs</b>	4 programmable isolated digital inputs, NPN or 24Vdc logic (PNP)		
	2 programmable differential analog inputs; programmable for current or voltage Can be set as DI or as PTC input (0-10V, 4-20mA or 0-20mA)		
<b>Control Outputs</b>	2 programmable relay outputs: One NO (Form A) and one NC (Form B): 240 V / 0.5 A		
	1 Output with independent NO and NC at a same common		
	1 Analog Output; programmable for voltage (0-10V) or current (0-20 mA or 4-20 mA) and with 0.25% linearity error		
<b>Communication</b>	Serial	Optional RS-232 serial interface, RS-485 with external RS-232/485 converter	
	Field Bus	Modbus RTU with external RS-232/485 converter	
<b>Safety</b>	Protections	Motor over current	DC link over voltage
		Motor overload	DC link under voltage
		Output phase-to-phase short circuit	Drive over temperature
		Output phase-to-ground short circuit	External fault
		Programming error	
<b>Ambient</b>	Temperature	32° - 104°F (40°C), up to 122°F (50°C) with 2% / 1.8°F (1°C) output current derating	
	Humidity	5-90% Non Condensing	
	Altitude	0-3300 ft (1000m), up to 13,200 ft (4000m) with 1% output current derating per 330ft (100m) above 3300 ft (1000m).	
<b>Regulatory Conformance</b>	EMC Directive 89 / 336 / EEC	Electromagnetic compatibility – Industrial Environment EMC Emission and Immunity with optional filter	
	EN61800-3		
	LVD 73/23/EEC	Low Voltage Directive	
	UL 508 C	Power Conversion Equipment	
<b>Special Functions</b>	Linear and “S” ramp accel and decel, local/remote control, FWD/REV selection, DC braking, manual and auto torque boost, motor slip compensation, electronic pot, two skip frequencies, maximum and minimum adjustable frequency limits, adjustable output current, PID Controller		
<b>Keypad</b>	4 digit display, 2 indicator LEDs and 8 keys		
	Readouts for: output frequency (Hz), output current (A), output voltage (V), motor torque (%) in vector mode, DC bus voltage (V), value proportional to frequency (Ex.: RPM), heatsink temperature, fault and status messages		
<b>Mounting</b>	Surface mounting with screws.		





**WEG Electric Corp.**

6655 Sugarloaf Pkwy.

Duluth, GA 30097

(800) ASK-4WEG

[www.weg.net](http://www.weg.net)