

SUMP PUMPS

Model: SPV33

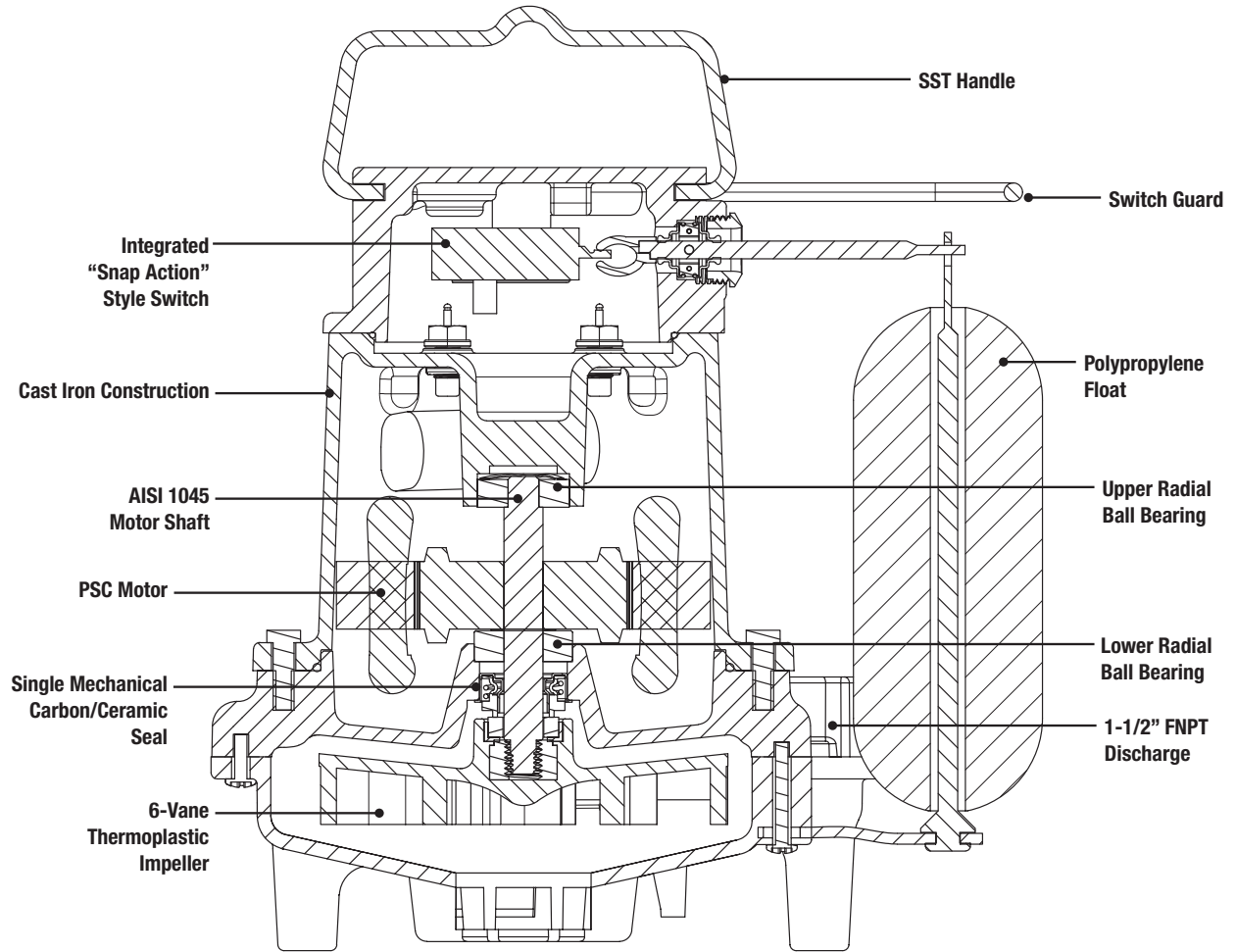


Physical Data:	
DISCHARGE SIZE	1-1/2" NPT
IMPELLER TYPE	6-Vane, Thermoplastic
CABLE LENGTH	10'
Liquid Handling:	
SOLIDS HANDLING	1/4"
MAXIMUM LIQUID TEMP.	104°F – Intermittent
ACCEPTABLE PH RANGE	6-8
Temperature:	
MAXIMUM STATOR	120°C
Technical Data:	
POWER CORD TYPE	SJTW
SENSOR CORD TYPE	18/3C
MOTOR HOUSING	Cast Iron
CASING	Cast Iron
IMPELLER	Thermoplastic
MOTOR SHAFT	AISI 1045
HARDWARE	SST
"O" RINGS	NBR
MECHANICAL SEALS	Single Mechanical - Carbon/Ceramic
UPPER BEARING	6200
LOWER BEARING	6201 - RS
Electrical Data:	
R.P.M.	1750
MOTOR TYPE	PSC
GEN INSULATION CLASS	B
STATOR WINDING CLASS	B
MAXIMUM STATOR TEMPERATURE	120°C
VOLTAGE TOLERANCE	±10%
HP	1/3
VOLTAGE	115
PHASE	1
SERVICE FACTOR	1
FULL LOAD AMPS	5

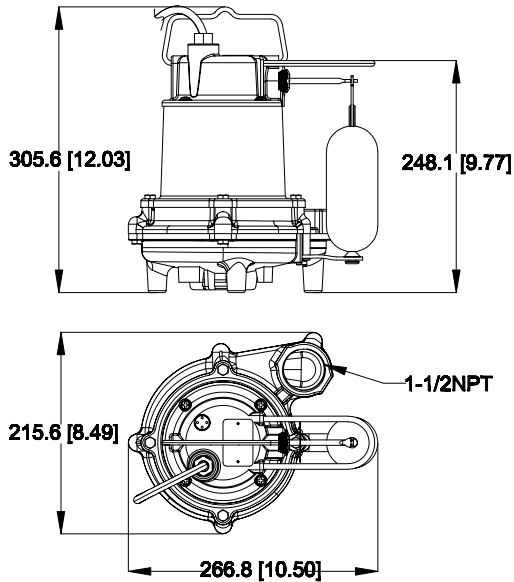
Specifications

Model	HP	Hz	Volts/Ph	RPM	Full Load Amps	Cord Type
SPV33	1/3	60	115	1750	5	SJTW 18/3C

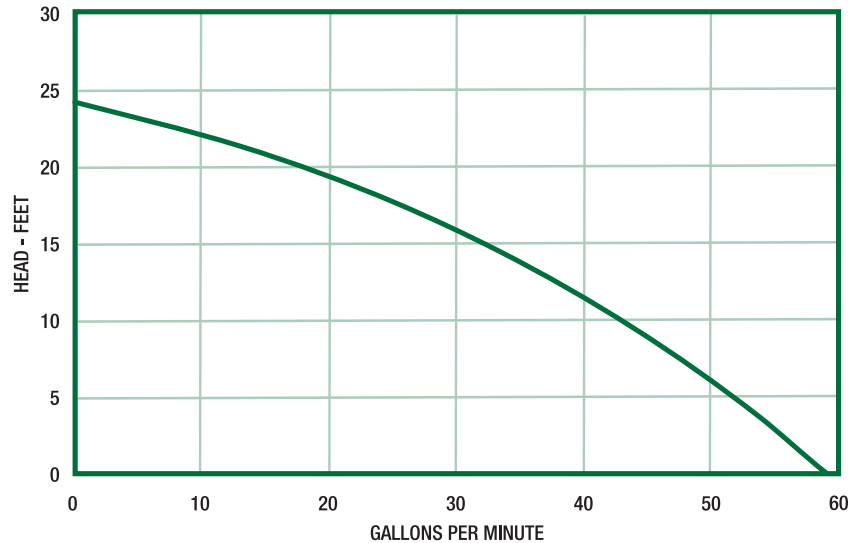
Features



Dimensions



Performance Curve



Ashland

P U M P

Honest, Professional, Dependable

1899 Cottage Street, Ashland, Ohio 44805

Telephone: 855 281-6830 • Fax: 877 326-1994 • ashlandpump.com