

SEWAGE PUMPS

Model: SWFD300



Features

- Heavy duty cast iron construction
- Oil-filled continuous duty CSCR motor (1Ph) and Induction motor (3Ph)
- Semi-open cast iron impeller
- 2" solids handling

Specifications

Physical Data:

DISCHARGE SIZE	3" NPT
IMPELLER TYPE	2-Vane Semi-open - Cast Iron
CABLE LENGTH	20'

Liquid Handling:

SOLIDS SIZE	2"
MAXIMUM LIQUID TEMP.	104°F – Intermittent
ACCEPTABLE PH RANGE	6-8

Technical Data:

MOTOR HOUSING	Cast Iron
CASING	Cast Iron
IMPELLER	Cast Iron
MOTOR SHAFT	SS416
HARDWARE	SST
"O" RINGS	NBR
SEALS	Dual Mechanical, Carbon Ceramic
UPPER BEARING	6203
LOWER BEARING	6206

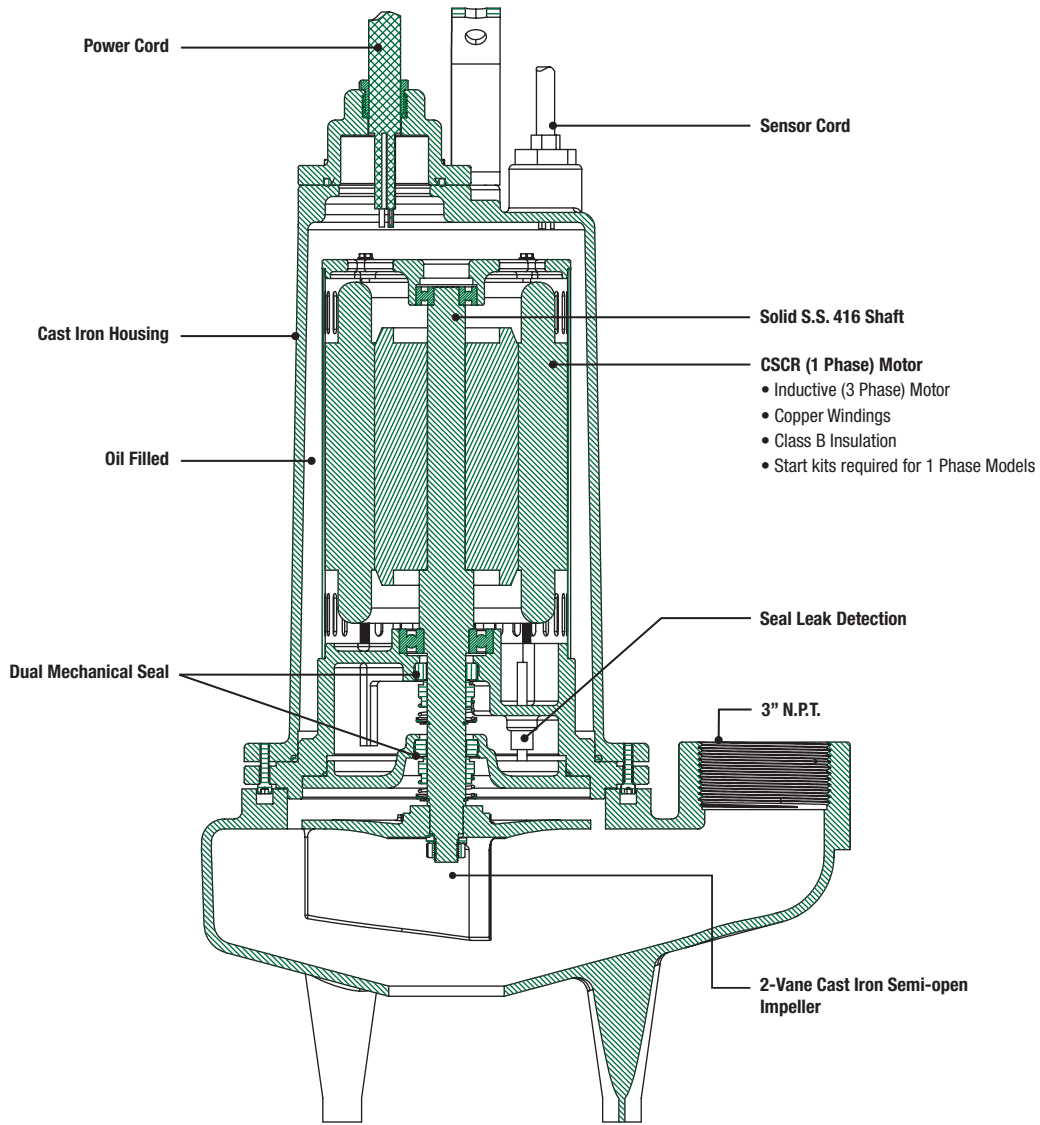
Electrical Data:

R.P.M.	1750
MOTOR TYPE	CSCR/Induction
GEN INSULATION CLASS	B
STATOR WINDING CLASS	B
MAXIMUM STATOR TEMP	130°C
VOLTAGE TOLERANCE	±10%
HP	3
VOLTAGE	208/230/460
PHASE	1/3
SERVICE FACTOR	1

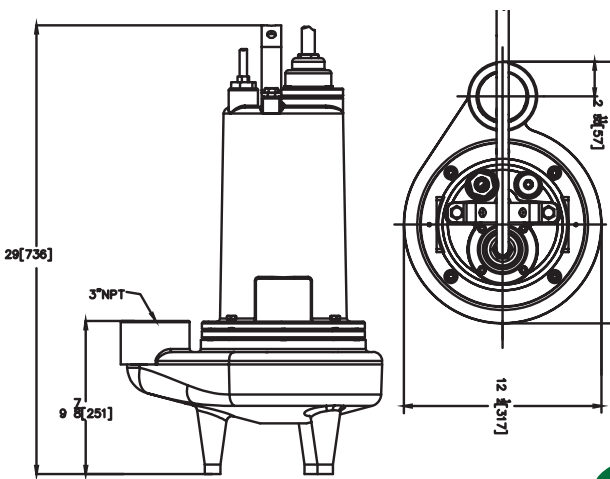
Specifications

Model	HP	Hz	Volts/Ph	RPM	Full Load Amps	Nema Start Code	Cord Type	Cord Power Size	Cord O.D.
SWFD300M2-20	3	60	230/1	1750	28.0	D	SOW	8AWG/4C	1.0
SWFD300M3-20	3	60	230/3	1750	20.0	D	SOW	12AWG/4C	.7
SWFD300M4-20	3	60	460/3	1750	10.0	D	SOW	12AWG/4C	.7
SWFD300M5-20	3	60	208/1	1750	33.5	D	SOW	8AWG/4C	1.0
SWFD300M6-20	3	60	208/3	1750	18.0	D	SOW	12AWG/4C	.7

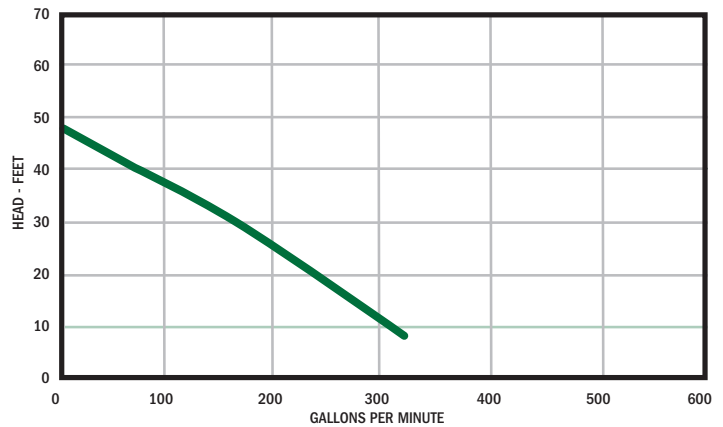
Features



Dimensions



Performance Curve



P U M P

Honest, Professional, Dependable

1899 Cottage Street, Ashland, Ohio 44805

Telephone: 855 281-6830 • Fax: 877 326-1994 • ashlandpump.com