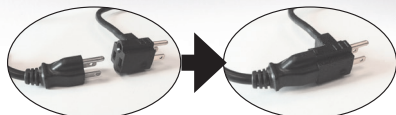


SUMP PUMPS

Model: B33



Piggyback Switch Plug

Features

- Heavy Duty Cast Iron Construction
- Strong PSC Continuous Duty Rated Motor
- Recessed Vortex Impeller To Reduce Clogging
- Piggyback Plug Standard
- 1-1/2" Discharge

Specifications

| Physical Data: | |
|----------------------|-----------------------------------|
| DISCHARGE SIZE | 1-1/2" N.P.T. |
| IMPELLER TYPE | Vortex - Thermoplastic |
| CABLE LENGTH | 10' |
| Liquid Handling: | |
| SOLIDS SIZE | 1/2" |
| MAXIMUM LIQUID TEMP. | 104°F – Intermittent |
| ACCEPTABLE PH RANGE | 6-8 |
| Technical Data: | |
| MOTOR HOUSING | Cast Iron |
| CASING | Thermoplastic |
| IMPELLER | Thermoplastic |
| MOTOR SHAFT | SS430 |
| HARDWARE | SST |
| "O" RINGS | NBR |
| SEAL | Single Mechanical, Carbon Ceramic |
| UPPER BEARING | 608-2RS |
| LOWER BEARING | 6202 |
| Electrical Data: | |
| R.P.M. | 3450 |
| MOTOR TYPE | PSC |
| GEN INSULATION CLASS | B |
| STATOR WINDING CLASS | B |
| MAXIMUM STATOR TEMP | 120°C |
| VOLTAGE TOLERANCE | ±10% |
| MOTOR PROTECTION | Thermally Protected |
| HP | 1/3 HP |
| VOLTAGE | 115 |
| PHASE | 1 |
| SERVICE FACTOR | 1 |

Specifications

| Model | HP | Hz | Volts/Ph | RPM | Full Load Amps | Cord Type |
|------------|-----|----|----------|------|----------------|------------|
| B33M1-10 | 1/3 | 60 | 115/1 | 3450 | 5.0 | SJTW 18/3C |
| B33W1-10 | 1/3 | 60 | 115/1 | 3450 | 5.0 | SJTW 18/3C |
| B33V1-10 | 1/3 | 60 | 115/1 | 3450 | 5.0 | SJTW 18/3C |
| B33M1-10LK | 1/3 | 60 | 115/1 | 3450 | 5.0 | SJTW 18/3C |
| B33W1-10LK | 1/3 | 60 | 115/1 | 3450 | 5.0 | SJTW 18/3C |
| B33V1-10LK | 1/3 | 60 | 115/1 | 3450 | 5.0 | SJTW 18/3C |



Wide Angle Float Switch

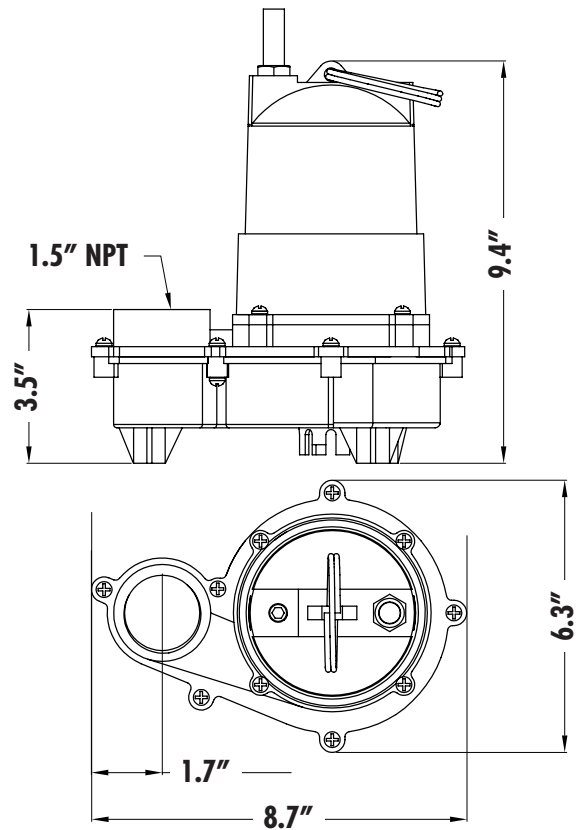


Vertical Float Switch

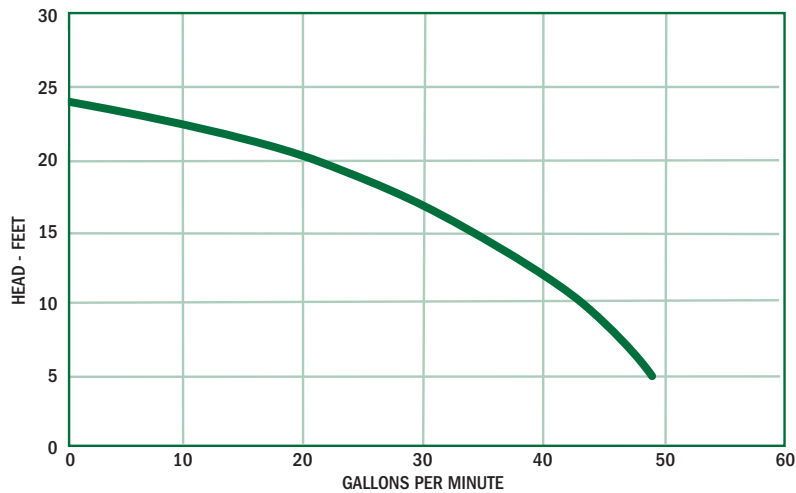


Optional plastic legs
*Identified above as 'LK'
P/N: 091BLEGX
*Leg Kit can be sold separately

DIMENSIONAL DATA



PERFORMANCE CURVE



Ashland

P U M P

Honest, Professional, Dependable

1899 Cottage Street, Ashland, Ohio 44805
Telephone: 855 281-6830 · Fax: 877 326-1994 · ashlandpump.com