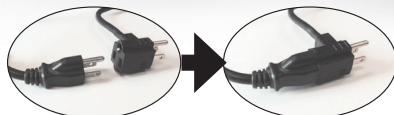


# SUMP PUMPS

## Model: B50



Piggyback Switch Plug

### Features

- Heavy Duty Cast Iron Construction
- Strong PSC Continuous Duty Rated Motor
- Recessed Vortex Impeller To Reduce Clogging
- Piggyback Plug Standard
- 1-1/2" Discharge

### Specifications

Physical Data:	
DISCHARGE SIZE	1-1/2" N.P.T.
IMPELLER TYPE	Vortex - Thermoplastic
CABLE LENGTH	10'
Liquid Handling:	
SOLIDS SIZE	1/2"
MAXIMUM LIQUID TEMP.	104°F – Intermittent
ACCEPTABLE PH RANGE	6-8
Technical Data:	
MOTOR HOUSING	Cast Iron
CASING	Thermoplastic
IMPELLER	Thermoplastic
MOTOR SHAFT	SS430
HARDWARE	SST
"O" RINGS	NBR
SEAL	Single Mechanical, Carbon Ceramic
UPPER BEARING	608-2RS
LOWER BEARING	6202
Electrical Data:	
R.P.M.	3450
MOTOR TYPE	PSC
GEN INSULATION CLASS	B
STATOR WINDING CLASS	B
MAXIMUM STATOR TEMP	120°C
VOLTAGE TOLERANCE	±10%
MOTOR PROTECTION	Thermally Protected
HP	1/2 HP
VOLTAGE	115
PHASE	1



### Specifications

Model	HP	Hz	Volts/Ph	RPM	Full Load Amps	Cord Type
B50M1-10	1/2	60	115/1	3450	7.0	SJTW 18/3C
B50W1-10	1/2	60	115/1	3450	7.0	SJTW 18/3C
B50V1-10	1/2	60	115/1	3450	7.0	SJTW 18/3C
B50M1-10LK	1/2	60	115/1	3450	7.0	SJTW 18/3C
B50W1-10LK	1/2	60	115/1	3450	7.0	SJTW 18/3C
B50V1-10LK	1/2	60	115/1	3450	7.0	SJTW 18/3C



Wide Angle Float Switch

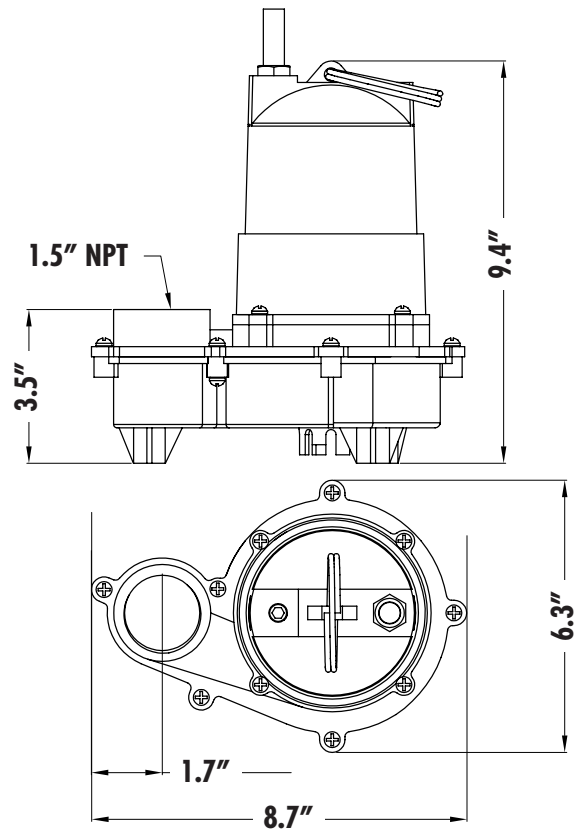


Vertical Float Switch

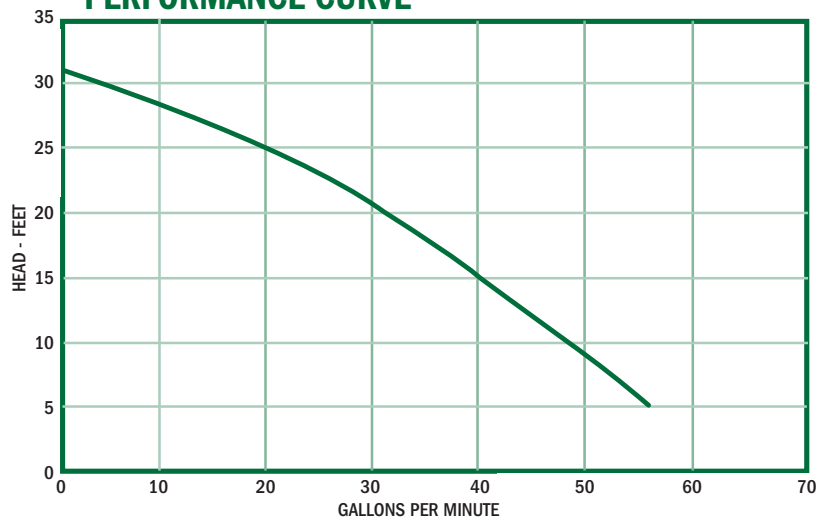


Optional plastic legs  
\*Identified above as 'LK'  
P/N: 091BLEGX  
\*Leg Kit can be sold separately

## DIMENSIONAL DATA



## PERFORMANCE CURVE



**Ashland**

P U M P

*Honest, Professional, Dependable*

1899 Cottage Street, Ashland, Ohio 44805  
Telephone: 855 281-6830 · Fax: 877 326-1994 · [ashlandpump.com](http://ashlandpump.com)