

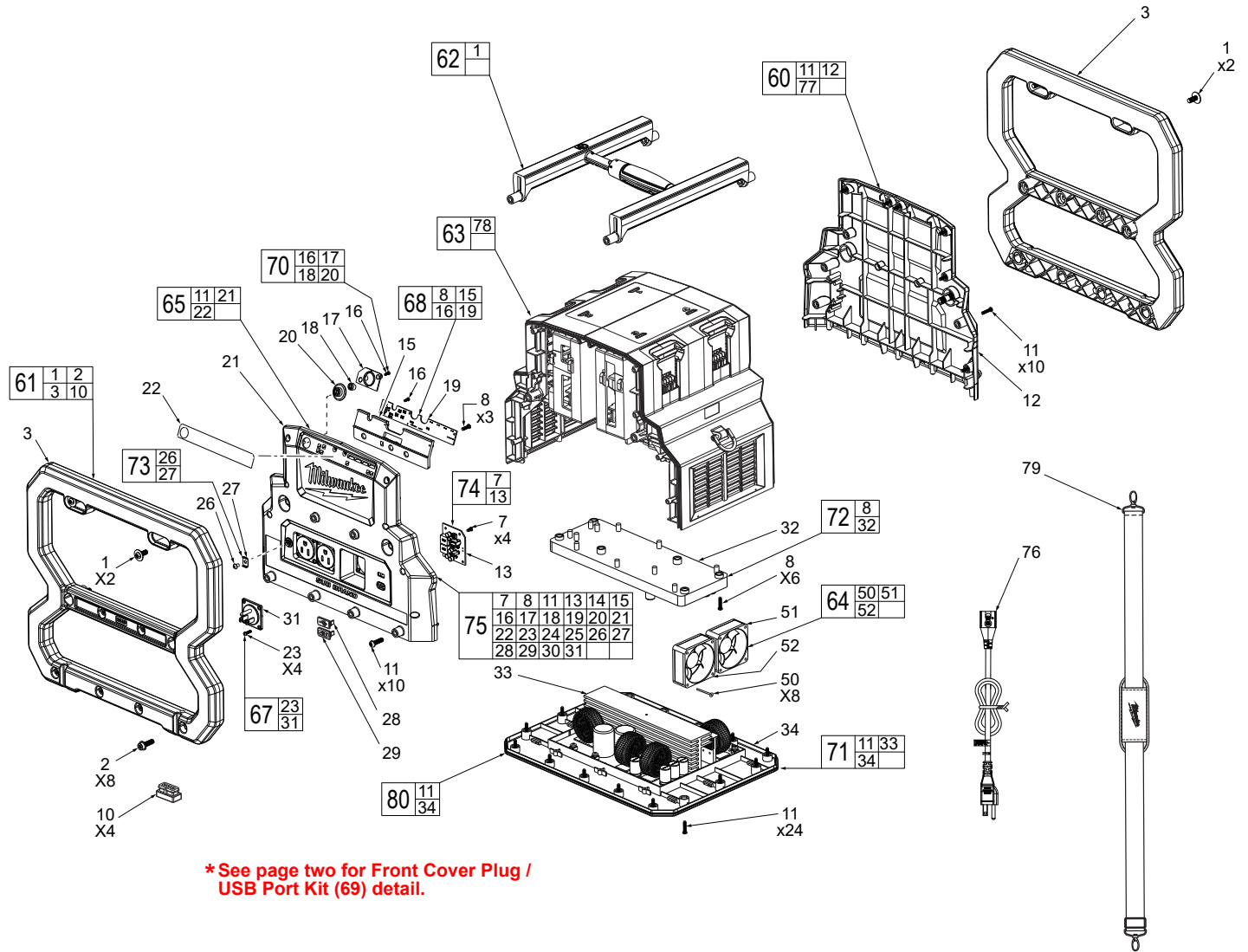


# SERVICE PARTS LIST

**BULLETIN NO.**  
**54-07-2845**

SPECIFY CATALOG NO. AND SERIAL NO. WHEN ORDERING PARTS		REVISED BULLETIN	DATE
<b>M18™ CARRY-ON Power Supply</b>			Mar. 2022
CATALOG NO. <b>2845-20</b>	STARTING SERIAL NO. <b>M30A</b>	WIRING INSTRUCTION <b>Pages 3 thru 4</b>	

**EXAMPLE:**  
Component Parts (Small #) Are Included  
When Ordering The Assembly (Large #).



**\* See page two for Front Cover Plug /  
USB Port Kit (69) detail.**

FIG.	PART NO.	DESCRIPTION OF PART	NO. REQ.	FIG.	PART NO.	DESCRIPTION OF PART	NO. REQ.
1	05-74-0490	M6 x 15 Screw	4	60	31-44-0463	Rear Housing Kit	1
2	05-74-0491	M6 x 20 Screw	16	61	42-46-0022	Roll Cage Kit	1
3		Roll Cage	2	62	31-44-0476	H Handle Kit	1
7	05-74-0492	PA3 x 8 Screw	4	63	31-44-0477	Main Housing Assembly	1
8	05-74-0493	PA3.5 x 14 Screw	9	64	22-84-0020	Fan Kit	1
10	44-34-0037	Rubber Foot	4	65	31-44-0478	Front housing	1
11	05-74-0494	PA3.5 x 20 Screw	44	66	-----	IMD Lens Kit	1
12		Rear Cover	1	67	31-12-0069	AC Plug In Socket Kit	1
13		USB Module	1	68	14-20-0369	HMI PCBA Kit	1
15		PCBA Bracket	1	* 69	31-15-0157	Front Cover Plug / USB Port Kit	1
16	05-74-0495	PA2.5 x 8 Screw	4	70	42-42-0148	HMI Button Kit	1
17		Key Cap 1	1	71	23-37-0015	Inverter PCBA Kit	1
18		Key Cap 2	1	72	14-20-0434	Control PCBA Kit	1
19		HMI Board Module	1	73	43-92-0010	Bonding Lug Kit	1
20		Button	1	74	31-15-0232	USB PCBA Kit	1
21		Front Cover	1	75	31-44-0479	Front Housing Kit	1
22	44-06-0073	IMD Lens	1	76	22-64-0217	Power Cord	1
23	05-74-0496	PA3 x 12 Screw	4	77	12-20-0186	Service Nameplate (Not Shown)	1
26	05-74-0497	M4 x 10 Screw	2	78	10-20-7142	Warning Label (Not Shown)	1
27		Gasket	1	79	49-16-2845	Shoulder Strap (Accessory)	1
28	22-68-0051	USB-A Cover	1	80	22-68-0037	Bottom Cover Kit	1
29	22-68-0052	USB-C Cover	1				
31		AC Plug	1				
32		Control Board Module	1				
33		Inverter Module	1				
34		Bottom Cover	1				
50	05-74-0498	PA3 x 35 Screw	1				
51		Fan 1	1				
52		Fan 2	1				

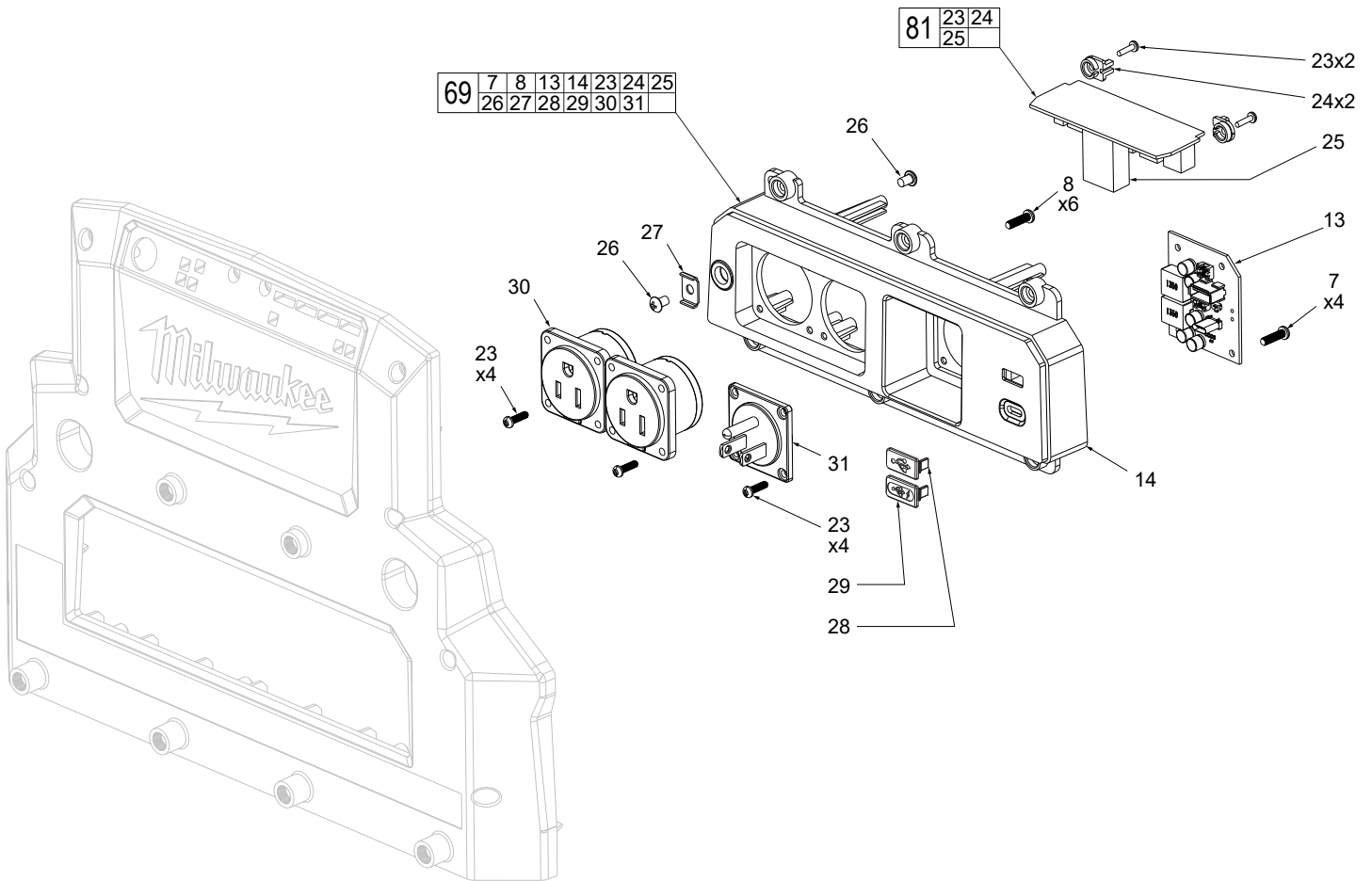
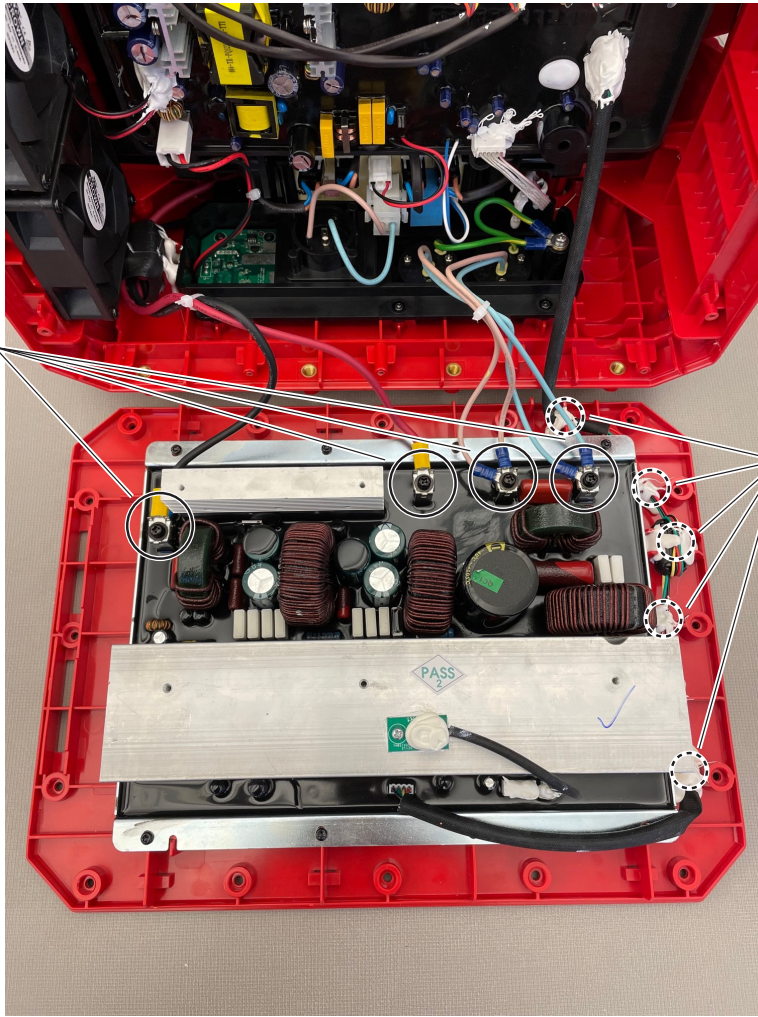


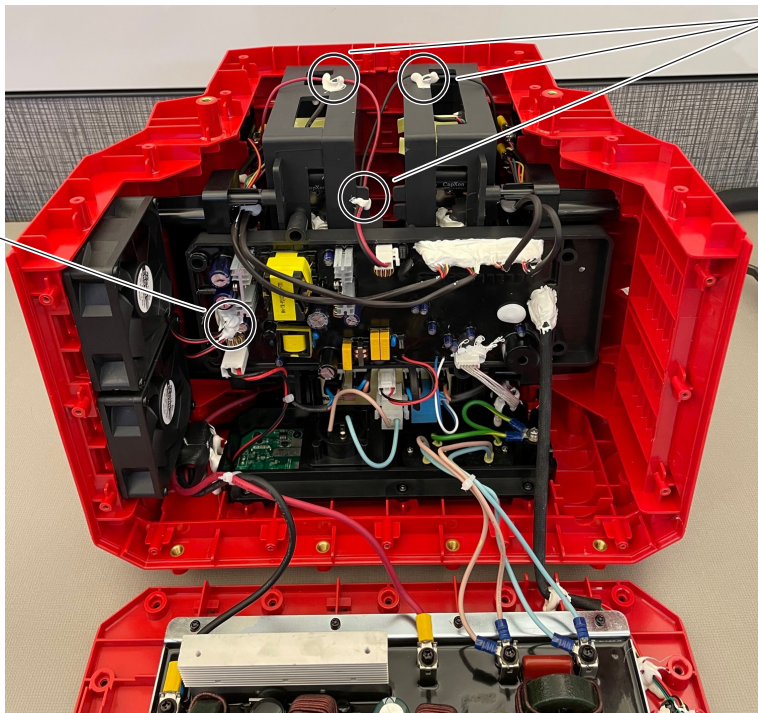
FIG.	PART NO.	DESCRIPTION OF PART	NO. REQ.
7	05-74-0492	PA3 x 8 Screw	4
8	05-74-0493	PA3.5 x 14 Screw	6
13	-----	USB Board Module	1
14	-----	Panel	1
23	05-74-0496	PA3 x 12 Screw	14
24	-----	PCBA Mounting Clip	2
25	-----	Adapter Board	1
26	05-74-0497	M4 x 10 PW Screw	2
27	-----	Gasket	1
28	22-68-0051	USB-A Cover	1
29	22-68-0052	USB-C Cover	1
30	-----	AC Plug Out	2
31	-----	AC Plug In	1
69	31-15-0157	Front Cover Plug / USB Port Kit	1
81	31-12-0281	AC Plug PCBA Kit	1

# Wire Routing

Follow wire orientation of Main Housing Assembly (63) wires to Inverter PCBA (71).



Wire harness from Main Housing Assembly (63) will have glued connection points in key wire traps.



Fan connection points.

Wire trap or channel.



Wire Routing Cont.

