

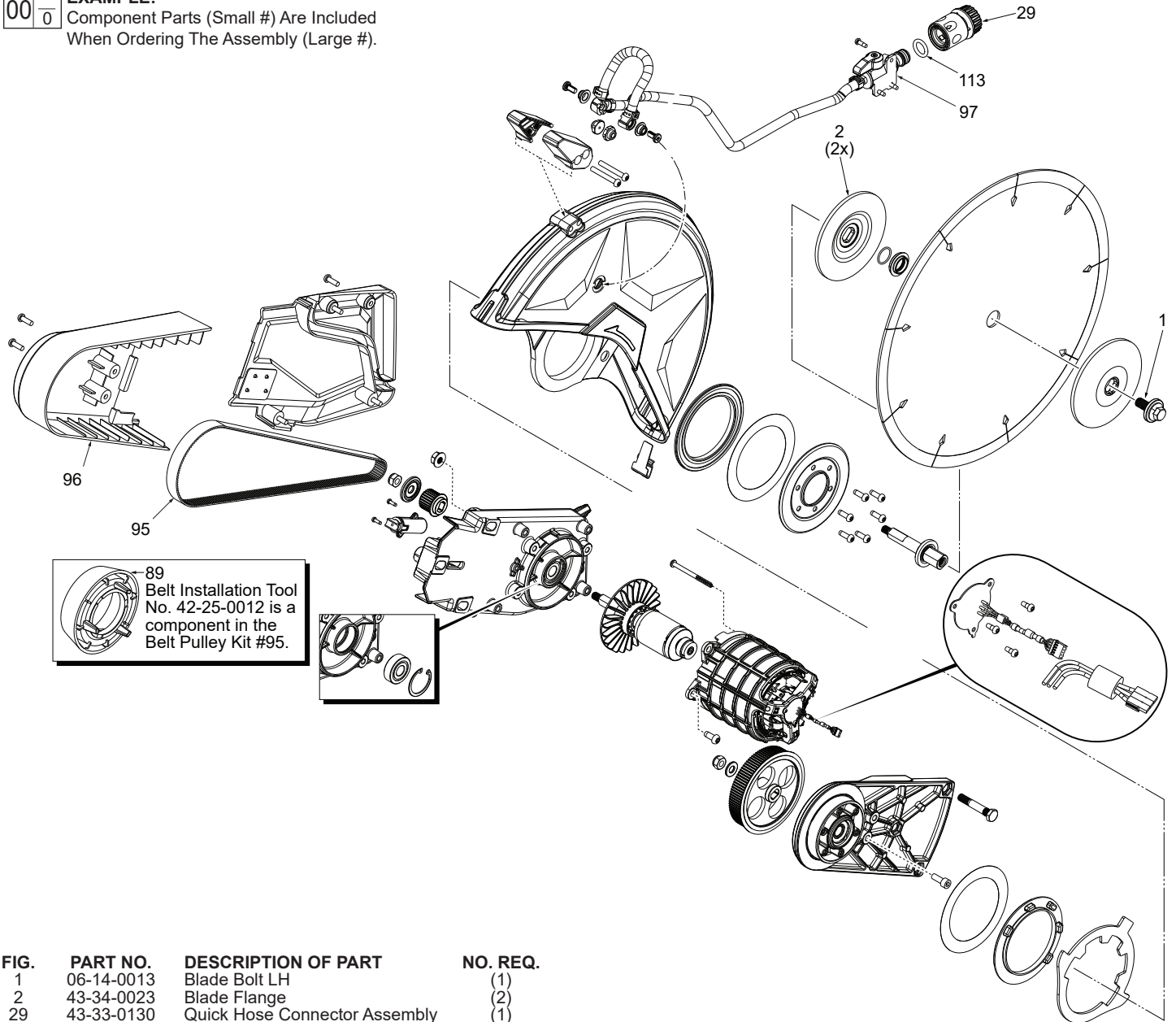


SERVICE PARTS LIST

BULLETIN NO.
54-00-0314

SPECIFY CATALOG NO. AND SERIAL NO. WHEN ORDERING PARTS		REVISED BULLETIN	DATE
MX FUEL™ 14" Cut-Off Saw			Aug. 2020
CATALOG NO.	MXF314	SERIAL NUMBER	K26A
WIRING INSTRUCTION			

EXAMPLE:
Component Parts (Small #) Are Included
When Ordering The Assembly (Large #).



89
Belt Installation Tool
No. 42-25-0012 is a
component in the
Belt Pulley Kit #95.

FIG.	PART NO.	DESCRIPTION OF PART	NO. REQ.
1	06-14-0013	Blade Bolt LH	(1)
2	43-34-0023	Blade Flange	(2)
29	43-33-0130	Quick Hose Connector Assembly	(1)
89	42-25-0012	Belt Installation Tool	(1)
95	42-70-0012	Belt Pulley Kit	(1)
96	42-92-0093	Belt Cover Kit	(1)
97	45-80-0012	Hose/Valve Assembly	(1)
113	34-40-0166	O-Ring	(1)

Service for Milwaukee Tool MX FUEL Products
Please Call: 1-833-953-2010

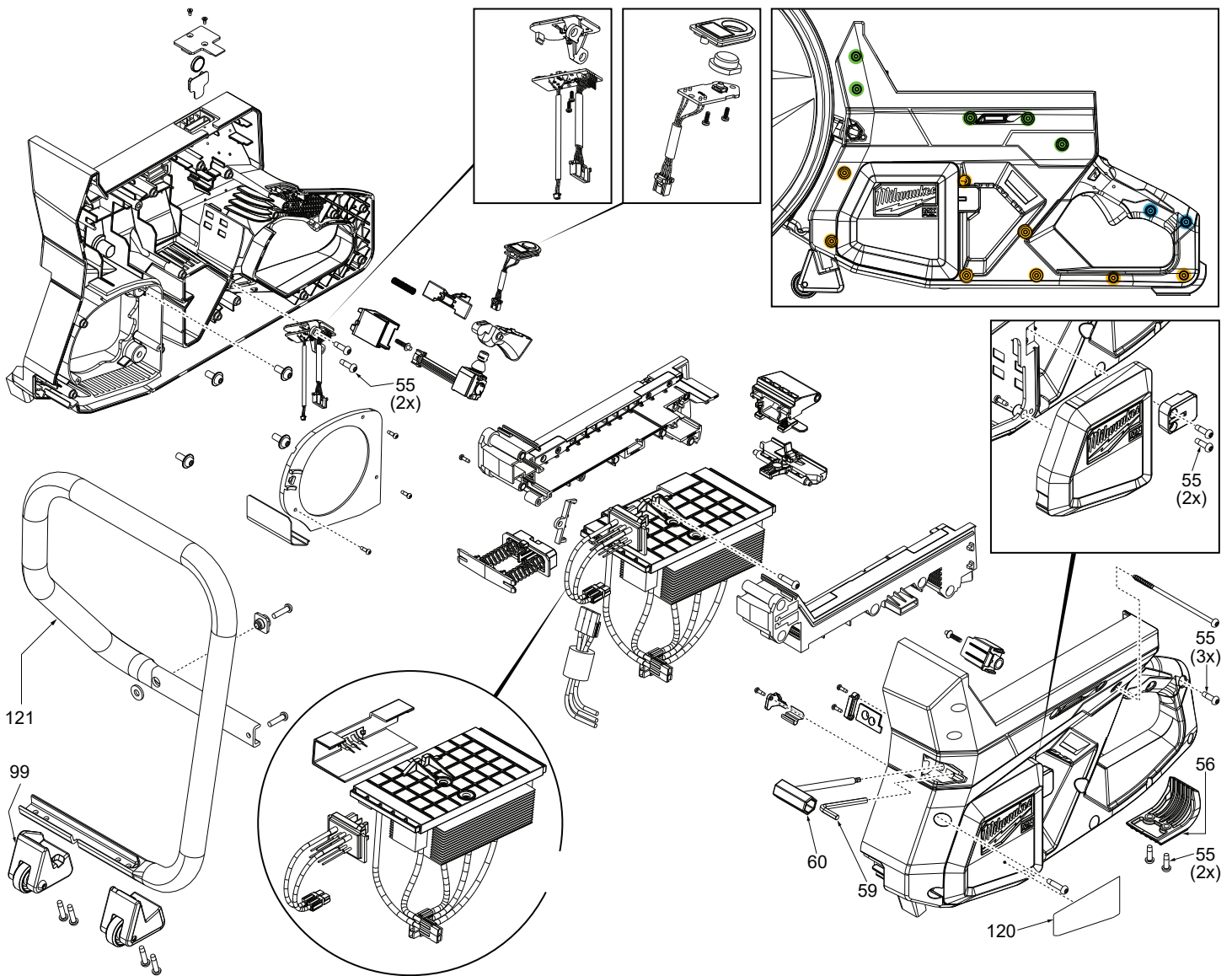


FIG.	PART NO.	DESCRIPTION OF PART	NO. REQ.
55	06-82-0029	M5 x 16mm Pan Hd. ST T-25 Screw	(8)
56	42-38-0023	Rear Foot	(1)
59	49-96-0021	5mm Hex Key	(1)
60	49-96-0031	Socket Wrench	(1)
99	42-92-0074	Wheel Service Kit	(1)
120	12-20-0182	Service Nameplate	(1)
121	14-34-0038	Bale Handle Assembly	(1)