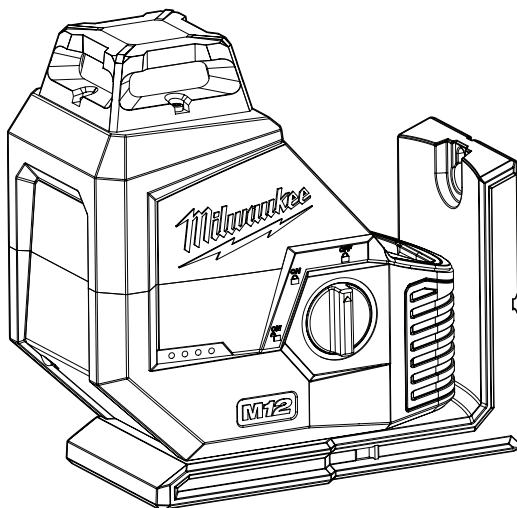




OPERATOR'S MANUAL  
MANUEL de L'UTILISATEUR  
MANUAL del OPERADOR



Cat. No. / No de cat.  
**3631-20**

**M12™ GREEN 360° SINGLE PLANE LASER**  
**LASER MONOPLAN M12™ VERT 360°**  
**LÁSER DE PLANO ÚNICO VERDE DE 360° M12™**



**WARNING** To reduce the risk of injury, user must read and understand operator's manual.

**AVERTISSEMENT** Afin de réduire le risque de blessures, l'utilisateur doit lire et bien comprendre le manuel.

**ADVERTENCIA** Para reducir el riesgo de lesiones, el usuario debe leer y entender el manual.

## GENERAL POWER TOOL SAFETY WARNINGS

**WARNING** Read and understand all instructions. Failure to follow all instructions listed below, may result in electric shock, fire and/or serious personal injury. **Save all warnings and instructions for future reference.**

• **Save these instructions** - This operator's manual contains important safety and operating instructions.

## LASER SAFETY

**WARNING** The device produces visible laser beams, which are emitted from the tool.

• This device complies with 21 CFR 1040.10 and 1040.11 except for conformance with IEC 60825-1 Ed. 3., as described in Laser Notice No. 56, dated May 8, 2019.

• **Laser light - Do not stare into beam or view directly with optical instruments. Do not point laser light at others.** Laser light can cause eye damage.

## WORK AREA SAFETY

• **Ensure adequate safeguards at the work site** (e.g. surveying site when measuring on roads, construction sites, etc.).

• **Avoid dangerous environments.** Avoid extended exposure to rain, snow, damp or wet locations. Do not use in the presence of explosive atmospheres (gaseous fumes, dust or flammable materials).

## PERSONAL SAFETY

• **Do not allow persons unfamiliar with the tool, these safety instructions, and the tool's operator's manual to operate the tool.** This tool can be dangerous in the hands of untrained users.

• **Do not overreach. Keep proper footing and balance at all times.** This enables better control of the tool in unexpected situations.

## BATTERY TOOL USE AND CARE

• **Recharge only with the charger specified by the manufacturer.** A charger that is suitable for one type of battery pack may create a risk of fire when used with another battery pack.

• **Use power tools only with specifically designated battery packs.** Use of any other battery packs may create a risk of injury and fire.

• **When battery pack is not in use, keep it away from other metal objects, like paper clips, coins, keys, nails, screws or other small metal objects, that can make a connection from one terminal to another.** Shorting the battery terminals together may cause burns or a fire.

• **Under abusive conditions, liquid may be ejected from the battery; avoid contact. If contact accidentally occurs, flush with water. If liquid contacts eyes, additionally seek medical help.** Liquid ejected from the battery may cause irritation or burns.

• **Do not use a battery pack or tool that is damaged or modified.** Damaged or modified batteries may exhibit unpredictable behavior resulting in fire, explosion or risk of injury.

• **Do not expose a battery pack or tool to fire or excessive temperature.** Exposure to fire or temperature above 265°F (130°C) may cause explosion.

• **Follow all charging instructions and do not charge the battery pack or tool outside the temperature range specified in the instructions.** Charging improperly or at temperatures outside the specified range may damage the battery and increase the risk of fire.

• **Store your battery and tool in a cool, dry place.** Do not store battery where temperatures may exceed 120°F (50°C) such as in direct sunlight, a vehicle or metal building during the summer.

## SPECIFIC SAFETY RULES FOR LASER LEVELS

• **Watch out for erroneous results if the tool is defective or if it has been dropped, misused or modified.**

• **Do not dispose of tool or batteries together with household waste material!** Tool and batteries that have reached the end of their life must be collected separately and returned to an environmentally compatible recycling facility.

• **Ensure tool magnets are securely mounted to a metal surface.** Magnet strength may not hold on thin metal surfaces, causing the tool to fall.

• **WARNING** To reduce the risk of injury, when working in dusty situations, wear appropriate respiratory protection or use an OSHA compliant dust extraction solution.

• **Always use common sense and be cautious when using tools.** It is not possible to anticipate every situation that could result in a dangerous outcome. Do not use this tool if you do not understand these operating instructions or you feel the work is beyond your capability; contact MILWAUKEE Tool or a trained professional for additional information or training.

• **If using with a lanyard, do not exceed maximum capacity marked on the lanyard label.** Always determine the weight of the product, with all accessories, when selecting the appropriate lanyard system. Exceeding maximum capacity may result in serious injury. See specifications for tool and battery weight.

• **For best results, use with energy absorbing lanyards.** Ropes, straps or chains may break and cause failure. Do not use with lanyards at full tension.

• **Maintain labels and nameplates.** These carry important information. If unreadable or missing, contact MILWAUKEE for a free replacement.

• **The device conforms to the most stringent requirements of the relevant Electromagnetic Compatibility (EMC) Standards and Regulations.** Yet, the possibility of causing interference in other devices cannot be totally excluded.

• **CAUTION** Use of controls or adjustments or performance of procedures other than those specified herein may result in hazardous radiation exposure.

• **Be sure to power off instrument after use.** When instrument will not be used for a long period, place it in storage after removing batteries.

# FC Federal Communications Commission



**WARNING** Changes or modifications to this unit not expressly approved by the party responsible for compliance could void the user's authority to operate the equipment. This equipment has been tested and found to comply with the limits for a Class B digital device, pursuant to Part 15 of the FCC Rules. These limits are designed to provide reasonable protection against harmful interference in a residential installation. This equipment generates, uses and can radiate radio frequency energy and, if not installed and used in accordance with the instructions, may cause harmful interference to radio communications.

However, there is no guarantee that interference will not occur in a particular installation. If this equipment does cause harmful interference to radio or television reception, which can be determined by turning the equipment off and on, the user is encouraged to try to correct the interference by one or more of the following measures:

- Reorient or relocate the receiving antenna.
- Increase the separation between the equipment and receiver.
- Consult the dealer or an experienced radio/TV technician for help.

## SPECIFICATIONS

Cat. No.....	3631-20
Volts.....	12 DC
Battery Type.....	M12™
Charger Type.....	M12™
Laser.....	Class 2
Max Power.....	$P_{AVG} \leq 8 \text{ mW}$
Frequency.....	10 KHz
Pulse Duration Normal Mode.....	$T_p \leq 80 \mu\text{s}$
Pulse Duration Power Save.....	$T_p \leq 50 \mu\text{s}$
Wavelength.....	510-530 nm
Beam Divergence.....	3 rad
Working Range.....	125' (Radius)
Range with Detector.....	165' (Radius)
Accuracy.....	$\pm 1/8" @ 33'$
Settle Time.....	< 3 Seconds
Tripod Mount.....	1/4"-20, 5/8"-11
Ingress Protection.....	IP54
Drop Rating.....	1 m
Leveling.....	Auto $\pm 4$ side to side, front to back
Bare Tool Weight.....	2.03 lbs
Weight.....	2.91 lbs
(With heaviest compatible battery pack)	
Storage Temp.....	-4°F to 120°F
Recommended Ambient Operating Temperature.....	14°F to 104°F

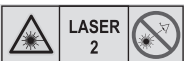
## SYMBOLGY



Volts



Direct Current



Laser Radiation  
Do not stare into beam  
Class 2 laser product

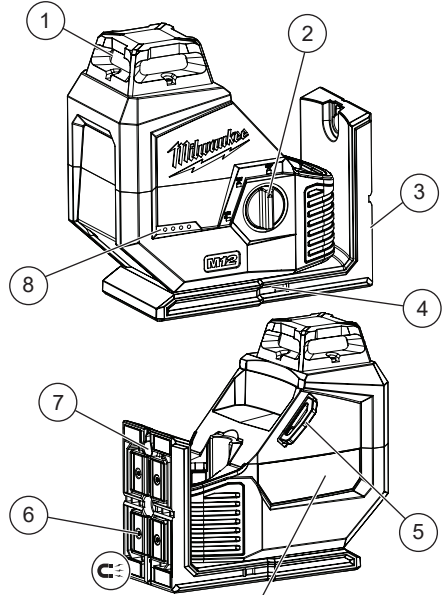


Magnets



Read operator's manual

## FUNCTIONAL DESCRIPTION



1. Laser aperture
2. Locking power dial
3. Mounting bracket
4. Threaded tripod attachment
5. Lanyard attachment
6. Magnets
7. Nail/screw hole
8. Fuel gauge

## ASSEMBLY

**WARNING** Recharge only with the charger specified for the battery. For specific charging instructions, read the operator's manual supplied with your charger and battery.

### Removing/Inserting the Battery

To **remove** the battery, push in the release buttons and pull the battery pack away from the tool.

**WARNING** Always lock the tool or remove the battery pack any time the tool is not in use.

To **insert** the battery, slide the pack into the body of the tool. Make sure it latches securely into place.

**WARNING** Only use accessories specifically recommended for this tool. Others may be hazardous.

### Power Save Mode

Power save mode is indicated by dimmed laser beams. Visual range is decreased in power save mode. The tool will automatically switch to power save mode if less than 7% of battery charge remains. \*When automatically switched to power save mode due to low battery, the tool cannot be switched back to normal mode until the battery is charged/replaced.

## Fuel Gauge

The fuel gauge is displayed continuously when the tool is **ON**. When less than 7% of charge is left, 1 light continuous flashing on the fuel gauge until the tool shut off..

To signal the end of charge, 1 light on the fuel gauge will flash 4 times and the tool will not run. Charge the battery pack.

If the tool becomes too hot, the fuel gauge lights will flash and the tool will not run. Allow the tool to cool down.

**⚠WARNING** To reduce the risk of injury or damage, securely mount/attach the laser before starting an operation. Injury/damage may occur if the laser falls.

### Mounting/Adjusting the Laser Level

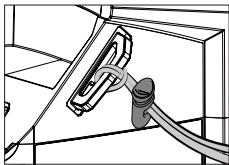
The pivot bracket can be used to mount the laser level in multiple ways:

- Use the embedded magnets to secure the laser level to steel studs, steel beams, etc.
- Use the keyhole slot to hang the laser level on the wall with a nail or screw.
- Set the laser level on a flat surface.
- Position the laser and/or wall mount on a stable surface.
- Use the 1/4"-20 or 5/8"-11 threaded insert to mount on a tripod.

### Lanyard Attachments

Use MILWAUKEE Lanyards to help reduce the risks associated with dropped tools. Complies with ANSI/ISEA 121:2018.

1. Follow instructions provided with tool lanyard.
2. The lanyard will create a secure anchor point for use. **⚠WARNING!** Do not exceed maximum capacity marked on the lanyard label. Exceeding maximum capacity may result in serious injury or death.



## OPERATION

**⚠WARNING** To reduce the risk of injury or temporary effects on vision, do not look directly into the laser when it is on.

**⚠CAUTION** Use of controls or adjustments or performance of procedures other than those specified herein may result in hazardous radiation exposure.

**NOTICE** Perform the Accuracy Field Check procedure immediately upon unboxing of each new Laser Level and before exposure to jobsite conditions. See "Accuracy Field Check" for information.

### Turning On/Off

To turn on the laser and unlock the pendulum, rotate the On/Off dial to the desired position. The remaining battery life will be displayed. **⚠WARNING!** Do not look directly into laser apertures. Horizontal level line will immediately be emitted from aperture in the laser housing.

**🔒 ON** Turns ON the laser and unlocks the pendulum to enable self-leveling.

**🔒 ON** Turns ON the laser but does not unlock the pendulum (self leveling is disabled). The laser line will flash once every 8 seconds to indicate that the projected line are not level.

**NOTE:** The **🔒 ON** mode disables self-leveling and therefore is not intended for projecting a level line.

**🔒 OFF** Turns OFF the laser and locks the pendulum. When not in use, turn off the tool and store the Laser Level in the protective carrying case.

### Using the Laser Level

1. For best results, place the tool on a work surface that is:
  - sturdy
  - level (within 4 degrees of true level)
  - free of vibrations
  - 90° to the work area
2. Turn on the tool.
3. The tool will self-level when placed on surfaces within 4 degrees of true level when dial is unlocked and on.
4. The tool is ready once the emitted line are continuous and no longer moving on the work surface.
5. If the tool cannot achieve a level state (i.e., the work surface is > 4 degrees off true level), the laser line will flash rapidly (3 flashes per second). Relocate or adjust the work surface.

### Troubleshooting

If the tool does not turn on:

- Ensure battery is installed properly. Fuel gauge should indicate remaining charge when correctly installed.
- Ensure battery is charged.
- Ensure the tool's internal temperature is within specified operating ranges. If stored in excessive heat or cold, allow at least 2 hours to acclimate to ambient temperature before turning on the tool.

If problem persists, please contact a MILWAUKEE service facility for support.

### ACCURACY FIELD CHECK

**NOTICE** Perform the Accuracy Field Check procedure immediately upon unboxing of each new Laser Level and before exposure to jobsite conditions. See "Accuracy Field Check" for information. Should any deviation from listed product accuracy be found, please contact a MILWAUKEE service facility. Failure to do so could result in rejection of warranty claim.

### Influences on Accuracy

Ambient temperature gradients can impact laser accuracy. For accurate and repeatable results, the following procedure should be conducted with the laser elevated off the ground and placed in the center of the working area.

Abusive treatment of the Laser Level, such as excessive impacts from drop, can also lead to deviations in product accuracy.

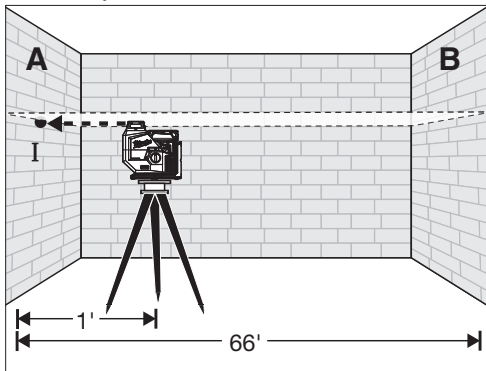
Therefore, it is recommended to conduct the Field Check procedure after any impact or before completing any critical jobs.

## Horizontal Height Accuracy

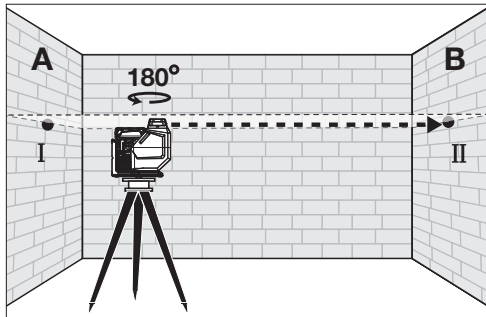
A free measuring distance of approximately 66' on a firm surface between two walls or structures A and B is required for this check.

It is also suggested to mount the Laser Level to a Tripod for easy adjustment.

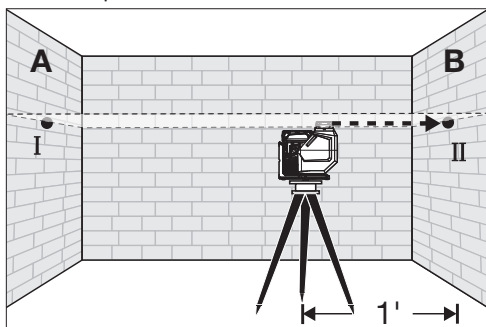
1. Securely mount the tool within 1' of wall A.



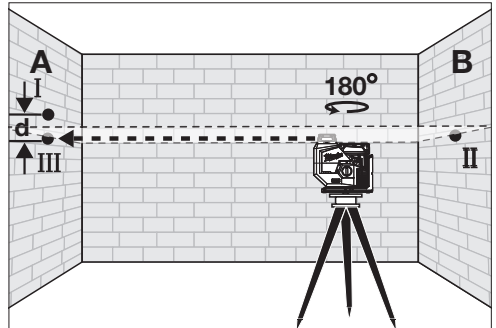
2. Turn the tool to **ON**.
3. Direct the front laser beam against the nearest wall A and allow to self-level. Mark the center of the horizontal line on the wall (point I).
4. Rotate the full tool with bracket  $180^\circ$  without changing the height, allow it to self-level, and mark the center of the horizontal line on the opposite wall B (point II).



5. Move the tool within 1' of wall B. Turn the tool to **ON**. Adjust the height of the tool (using the tripod or by adding shims, if required) such that the horizontal line is projected exactly against the previous marked point II on wall B. Allow the tool to self-level.



6. Rotate the full tool with bracket  $180^\circ$  without changing the height, allow it to self-level, and mark the center of horizontal line on wall A (point III). Point III should be aligned as vertically above or below point I on wall A as possible.



7. The distance between points I and III on wall A is the height deviation (d) of the tool. This distance should not exceed  $1/8"$  (max.) at  $33'$  ( $1/2"$  at  $132'$ ). For the Measuring distance of  $2 \times 66' = 132'$ , the maximum allowable deviation (d) is:  $132' \times \pm 1/8" \div 33' = \pm 1/2"$ .

## MAINTENANCE

**WARNING** To reduce the risk of injury, always remove the battery before performing any maintenance. Never disassemble the tool.

### Maintain Laser Level

Maintain tools. If damaged, have the tool repaired before use. Accidents may be caused by poorly maintained tools.

**WARNING** To reduce the risk of personal injury and damage, never immerse your tool in liquid or allow a liquid to flow inside them.

### Cleaning

Keep tool clean, dry and free of oil or grease. Use only mild soap and a damp cloth to clean, since certain cleaning agents and solvents are harmful to plastics and other insulated parts. Some of these include gasoline, turpentine, lacquer thinner, paint thinner, chlorinated cleaning solvents, ammonia and household detergents containing ammonia. Never use flammable or combustible solvents around tools.

### Cleaning the Lenses

Blow off loose particles with clean compressed air. Carefully wipe the surface with a cotton swab moistened with water.

### Repairs

This tool has limited serviceable parts. Do not open housing or disassemble tool. For repairs, return the tool, battery pack and charger to the nearest authorized service center.

## ACCESSORIES

**WARNING** Use tools only with specifically designed accessories. Use of any other accessories may create risk of injury.

## SERVICE - UNITED STATES

# 1-800-SAWDUST (1.800.729.3878)

Monday-Friday, 7:00 AM - 6:30 PM CST  
or visit [www.milwaukeetool.com](http://www.milwaukeetool.com)

Contact Corporate After Sales Service Technical Support with technical, service/repair, or warranty questions.

Email: [metproductsupport@milwaukeetool.com](mailto:metproductsupport@milwaukeetool.com)

Become a Heavy Duty Club Member at [www.milwaukeetool.com](http://www.milwaukeetool.com) to receive important notifications regarding your tool purchases.

## SERVICE - CANADA

### Milwaukee Tool (Canada) Ltd 1.800.268.4015

Monday-Friday, 7:00 AM - 4:30 PM CST  
or visit [www.milwaukeetool.ca](http://www.milwaukeetool.ca)

## LIMITED WARRANTY USA & CANADA

Every MILWAUKEE power tool\* (see exceptions below) is warranted to the original purchaser only to be free from defects in material and workmanship. Subject to certain exceptions, MILWAUKEE will repair or replace any part on an electric power tool which, after examination, is determined by MILWAUKEE to be defective in material or workmanship for a period of five (5) years\*\* after the date of purchase unless otherwise noted. Return of the power tool to a MILWAUKEE factory Service Center location or MILWAUKEE Authorized Service Station, freight prepaid and insured, is required. A copy of the proof of purchase should be included with the return product. This warranty does not apply to damage that MILWAUKEE determines to be from repairs made or attempted by anyone other than MILWAUKEE authorized personnel, misuse, alterations, abuse, normal wear and tear, lack of maintenance, or accidents. Normal Wear: Many power tools need periodic parts replacement and service to achieve best performance. This warranty does not cover repair when normal use has exhausted the life of a part including, but not limited to, chucks, brushes, cords, saw shoes, blade clamps, o-rings, seals, bumpers, driver blades, pistons, strikers, lifters, and bumper cover washers. \*This warranty does not cover Air Nailers & Staplers; Airless Paint Sprayer; Cordless Battery Packs; Gasoline Driven Portable Power Generators; Hand Tools; Hoist - Electric, Lever & Hand Chain; M12™ Heated Gear; Reconditioned Product; and Test & Measurement Products. There are separate and distinct warranties available for these products. \*\*The warranty period for Job Site Radios, M12™ Power Port, M18™ Power Source, Jobsite Fan and Trade Titan™ Industrial Work Carts is one (1) year from the date of purchase. The warranty period for the M18 FUEL™ 1" D-Handle High Torque Impact Wrenches, Drain Cleaning Cables, AIRSNAKE™ Drain Cleaning Air Gun Accessories, REDLITHIUM™ USB Laser Levels and TRAPSNAKE™ 25' Auger w/ CABLE DRIVE™ are two (2) years from the date of purchase. The warranty period for the M18™ Compact Heat Gun, 8 Gallon Dust Extractor, M18™ Framing Nailers, M18 FUEL™ 1/2" Ext. Anvil Controlled Torque Impact Wrench w/ ONE-KEY™, M18 FUEL™ 2 Gal. Compact Quiet Compressor, M12™ Laser Levels, 165' Laser Detector, M12™ 23GA Pin Nailer, M18 FUEL™ 1/4" Blind Rivet Tool w/ ONE-KEY™, M12 FUEL™ Low Speed Tire Buffer, M18 FUEL™ Dual Action Random Orbital Polishers, and the M18™ Utility Fencing Stapler is three (3) years from the date of purchase. The warranty period for the LED in the LED Work Light and the LED Upgrade Bulb for the Work Light is the lifetime of the product subject to the limitations above. If during normal use the LED or LED Bulb fails, the part will be replaced free of charge.

Warranty Registration is not necessary to obtain the applicable warranty on a MILWAUKEE power tool product. The manufacturing date of the product will be used to determine the warranty period. No proof of purchase is provided at the time warranty service is requested.

ACCEPTANCE OF THE EXCLUSIVE REPAIR AND REPLACEMENT REMEDIES DESCRIBED HEREIN IS A CONDITION OF THE CONTRACT FOR THE PURCHASE OF EVERY MILWAUKEE PRODUCT. IF YOU DO NOT AGREE TO THIS CONDITION, YOU SHOULD NOT PURCHASE THE PRODUCT. IN NO EVENT SHALL MILWAUKEE BE LIABLE FOR ANY INCIDENTAL, SPECIAL, CONSEQUENTIAL OR PUNITIVE DAMAGES, OR FOR ANY COSTS, ATTORNEY FEES, EXPENSES, LOSSES OR DELAYS ALLEGED TO BE AS A CONSEQUENCE OF ANY DAMAGE TO, FAILURE OF, OR DEFECT IN ANY PRODUCT INCLUDING, BUT NOT LIMITED TO, ANY CLAIMS FOR LOSS OF PROFITS. SOME STATES DO NOT ALLOW THE EXCLUSION OR LIMITATION OF INCIDENTAL OR CONSEQUENTIAL DAMAGES. THE ABOVE LIMITATION OR EXCLUSION MAY NOT APPLY TO YOU. THIS WARRANTY IS EXCLUSIVE AND IN LIEU OF ALL OTHER EXPRESS WARRANTIES, WRITTEN OR ORAL. TO THE EXTENT PERMITTED BY LAW, MILWAUKEE DISCLAIMS ANY IMPLIED WARRANTIES, INCLUDING WITHOUT LIMITATION ANY IMPLIED WARRANTY OF MERCHANTABILITY OR FITNESS FOR A PARTICULAR USE OR PURPOSE; TO THE EXTENT SUCH DISCLAIMER IS NOT PERMITTED BY LAW, SUCH IMPLIED WARRANTIES ARE LIMITED TO THE DURATION OF THE APPLICABLE EXPRESS WARRANTY AS

DESCRIBED ABOVE. SOME STATES DO NOT ALLOW LIMITATIONS ON HOW LONG AN IMPLIED WARRANTY LASTS, SO THE ABOVE LIMITATION MAY NOT APPLY TO YOU, THIS WARRANTY GIVES YOU SPECIFIC LEGAL RIGHTS, AND YOU MAY ALSO HAVE OTHER RIGHTS WHICH VARY FROM STATE TO STATE.

This warranty applies to product sold in the U.S.A. and Canada only. Please consult the "Service Center Search" in the Parts & Service section of MILWAUKEE's website [www.milwaukeetool.com](http://www.milwaukeetool.com) or call 1.800.SAWDUST (1.800.729.3878) to locate your nearest service facility for warranty and non-warranty service on a Milwaukee electric power tool.

## RÈGLES DE SÉCURITÉ GÉNÉRALES RELATIVES AUX OUTILS ÉLECTRIQUES

**⚠ AVERTISSEMENT** Lire et veiller à bien comprendre toutes les instructions. Le non-respect des instructions ci-dessous peut entraîner un choc électrique, un incendie et des blessures graves. Garder tous les avertissements et toutes les consignes à des effets de référence ultérieure.

- **Conservé ces instructions** - Ce manuel d'utilisation contient d'importantes instructions de sécurité et de fonctionnement.

## SÉCURITÉ DU LASER

**⚠ AVERTISSEMENT** Ce dispositif émet des faisceaux laser visibles, qui sont émis depuis l'outil.

- **Ce dispositif est conforme à la norme 21 cfr 1040.10 et 1040.11, sauf la conformité à la norme iec 60825-1 ed. 3, tel que décrit dans la notice du laser n° 56, du 8 mai 2019.**

- **Lampe laser - ne pas regarder directement dans le faisceau et ne pas voir dans le laser à l'aide d'instruments optiques. Ne pas diriger la lampe laser vers les autres.** La lumière du laser peut causer des lésions oculaires.

## SÉCURITÉ DU LIEU DE TRAVAIL

- **Veillez s'assurer qu'il y ait les protections correspondantes au lieu de travail (c'est-à-dire, surveiller le site lorsqu'on mesure les chemins, les chantiers de construction, etc.).**
- **Éviter les environnements dangereux.** Ne pas exposer le dispositif à la pluie ou à la neige et ne pas l'utiliser dans un endroit humide ou mouillé. Ne pas utiliser le dispositif au milieu d'atmosphères explosives (où l'on trouve de fumées gazeuses, de la poussière ou bien, de matériaux inflammables).

## SECURITE PERSONNELLE

- **Ne pas laisser personne n'ayant aucune idée de comment ce dispositif fonctionne s'approcher de l'outil, de ces instructions de sécurité et du manuel d'utilisation.** Cet outil pourra représenter un danger si utilisé par d'utilisateurs débutants.
- **Ne pas travailler hors de portée. Toujours se tenir bien campé et en équilibre.** Une bonne stabilité procure un meilleur contrôle de l'outil en cas de situation imprévue.

## UTILISATION ET ENTRETIEN DE LA BATTERIE

- **Ne recharger qu'avec le chargeur spécifié par le fabricant.** Un chargeur pouvant convenir à un type de bloc-piles peut entraîner un risque d'incendie lorsqu'il est utilisé avec un autre type de bloc-piles.
- **N'utiliser l'outil électrique qu'avec une batterie recommandée.** L'utilisation de tout autre bloc-piles peut créer un risque de blessures et d'incendie.
- **Lorsque la batterie n'est pas utilisée, la tenir éloignée des objets en métal tels que les trombones, les pièces de monnaie, les clés, les clous, les vis ou d'autres petits objets métalliques qui**

**pourraient connecter les bornes.** Le court-circuitage des bornes d'une batterie peut entraîner des brûlures ou un incendie.

- **Éviter tout contact avec le liquide pouvant être éjecté de la batterie en cas de manutention abusive. En cas de contact accidentel, rincer immédiatement les parties atteintes avec de l'eau. Si le liquide entre en contact avec les yeux, consulter un médecin.** Le liquide s'échappant des batteries peut causer des irritations ou des brûlures.
- **Ne pas utiliser les blocs-piles ni les outils endommagés ou modifiés.** Les batteries endommagées ou modifiées pourront montrer un comportement imprévisible qui entraînera des incendies, des explosions et même de risques de blessures.
- **Ne pas exposer les blocs-piles ni les outils à d'incendies ou des températures excessives.** L'exposition à des feux ou des températures excédantes les 130 °C (265 °F) pourra entraîner des explosions.
- **Suivre toutes les consignes de chargement de batteries et charger le bloc-piles ni l'outil à des températures ambiantes d'utilisation listées dans les consignes.** Le chargement inadéquat ou les températures excessives pourront endommager la batterie et augmenter le risque d'incendie.
- **Entreposer votre batterie et l'outil dans un endroit frais et sec.** Ne pas entreposer la batterie dans des endroits où la température peut dépasser 50° C (120° F), par exemple, un endroit exposé directement à la lumière du soleil, un véhicule ou une construction en métal pendant l'été.

## RÈGLES DE SÉCURITÉ SPÉCIFIQUES POUR LES NIVEAUX LASER

- **Faire attention à toute action erronée qui résulte d'une anomalie dans l'outil ou bien, si l'outil est tombé, mal utilisé ou modifié.**
- **Ne pas se débarrasser de l'outil et des batteries en les mettant avec les déchets ménagers !** L'outil et les batteries qui ont atteint leur durée de vie utile devront être ramassés indépendamment pour les retourner à une installation de recyclage respectueuse de l'environnement.
- **Veillez à s'assurer que les aimants de l'outil soient bien fixés à une surface en métal. Il est possible que la puissance de l'aimant l'empêche de se fixer sur de surfaces en métal fines, ce qui causera la chute de l'outil.**

**⚠ AVERTISSEMENT** Afin de minimiser le risque de blessures, lorsque de travaux sont faits dans de situations poussiéreuses, porter une protection respiratoire ou bien, utiliser une solution d'extraction de poussière conforme aux normes OSHA.

- **Toujours faire preuve de bons sens et procéder avec prudence lors de l'utilisation d'outils.** C'est impossible de prévoir toutes les situations dont le résultat est dangereux. Ne pas utiliser cet outil si vous ne comprenez pas ces instructions d'opération ou si vous pensez que le travail dépasse votre capacité ; veuillez contacter Milwaukee Tool ou un professionnel formé pour recevoir plus d'information ou formation.
- **Si elle est utilisée avec un cordon, ne pas surpasser la capacité maximale indiquée sur l'étiquette du cordon.** Toujours vérifier le poids du produit, avec tous ses accessoires, lors de la sélection du système de cordon correct. Surpasser la capacité maximale pourra entraîner de blessures

graves. Veuillez consulter les spécifications afin d'en savoir plus sur le poids de l'outil et le bloc-piles.

- **Pour obtenir les meilleurs résultats, l'utiliser avec de cordons d'absorption d'énergie.** Les cordes, les courroies et les chaînes pourront se casser et entraîner d'échecs. Ne pas utiliser avec de cordons à pleine tension.
- **Maintenir en état les étiquettes et les plaques signalétiques.** Des informations importantes y figurent. Si elles sont illisibles ou manquantes, contacter Milwaukee pour un remplacement gratuit
- **Le dispositif est conforme aux exigences les plus strictes des Normes et Réglementations de Compatibilité Électromagnétique (EMC).** Néanmoins, il n'est pas tout à fait impossible que d'autres dispositifs causent de brouillage.
- **⚠ ATTENTION** L'usage de contrôles, de réglages ou de procédures ne figurant pas dans ce manuel peut entraîner l'exposition a des rayonnements dangereux.
- **Veiller à mettre l'instrument hors tension après l'utilisation.** Si l'instrument n'est pas utilisé pendant une longue période, l'entreposer après avoir retiré piles.






**FC** Federal Communications Commission  
**⚠ AVERTISSEMENT** Toute modification apportée à l'unité

qui n'a pas été expressément approuvée par le responsable de la conformité du produit pourrait suffire à révoquer le droit de l'utilisateur à se servir de l'équipement.

Après avoir effectué un essai à l'équipement, il a été déterminé que celui-ci est conforme aux normes relatives à un appareil numérique de classe B, selon la partie 15 des règles de la FCC. Ces limites sont conçues pour assurer une protection raisonnable contre les perturbations nuisibles dans une installation résidentielle. Cet équipement produit, utilise et peut irradier une énergie haute fréquence et, s'il n'est pas installé conformément aux présentes instructions, peut causer le brouillage des communications radio. Toutefois, il n'existe aucune garantie que le brouillage ne se produira pas dans une installation donnée. Si cet équipement cause du brouillage de la réception d'émissions de radio ou de télévision, ce qui peut être déterminé en l'éteignant et en le rallumant, il est conseillé que l'utilisateur essaie de corriger le problème en prenant l'une ou plusieurs des mesures suivantes :

- Réorientation de l'antenne réceptrice.
- Augmentation de la distance entre le matériel et le récepteur.
- Consulter le concessionnaire ou un technicien radio/TV qualifié pour obtenir de l'aide.

## PICTOGRAPHIE

	Volts
	Courant direct
	Rayonnement laser Ne pas regarder directement dans le faisceau Produit laser dans classe 2
	Aimants
	Lire le manuel d'utilisation

## SPÉCIFICATIONS

No de Cat.....	3631-20
Tension.....	12 CD
Type de batterie.....	M12™
Type de chargeur.....	M12™
Laser.....	Classe 2
Puissance maximale.....	$P_{AVG} \leq 8 \text{ mW}$
Fréquence.....	10 KHz
Mode quotidien de durée de pulse.....	$T_p \leq 80 \mu\text{s}$
Économie de puissance de durée de pulse.....	$T_p \leq 50 \mu\text{s}$
Longueur d'onde.....	510 à 530 nm
Divergence de faisceau.....	3 rad
Plage de travail.....	38 m (125' Radius)
Plage à détecteur.....	50 m (165' Radius)
Précision.....	3 mm ( $\pm 1/8"$ ) à 10 m (33')
Temps d'ajustage.....	< 3 secondes
Montage sur trépied.....	1/4"-20, 5/8"-11
Indice de protection.....	IP54
Coefficient de chute.....	1 m
Nivellement.....	Automatique de $\pm 4$ d'un côté à l'autre et de l'avant à l'arrière
Poids de l'outil nu.....	0,92 kg (2,03 lbs)
Poids.....	1,32 kg (2,91 lbs)
(Avec la batterie compatible la plus lourde)	
Température d'entreposage.....	-20°C à 49°C (-4°F to 120°F)
Température ambiante de fonctionnement recommandée.....	-10°C à 40°C (14°F à 104°F)

## MONTAGE DE L'OUTIL

**⚠ AVERTISSEMENT** Ne recharger la batterie qu'avec le chargeur spécifié. Pour les instructions de charge spécifiques, lire le manuel d'utilisation fourni avec le chargeur et les batteries.

### Insertion/Retrait de la batterie

Pour retirer la batterie, enfoncer les boutons de déverrouillage et la tirer hors de l'outil.

**⚠ AVERTISSEMENT** Verrouillez toujours l'outil ou retirez la batterie chaque fois que l'outil n'est pas utilisé.

Pour insérer la batterie, la glisser dans le corps de l'outil. S'assurer qu'elle est fixée solidement.

**⚠ AVERTISSEMENT** L'emploi d'accessoires autres que ceux qui sont expressément recommandés pour cet outil peut comporter des risques.

### Mode économie d'énergie

Le mode d'économie d'énergie est indiqué par des faisceaux laser atténués. L'outil passera automatiquement au mode d'économie d'énergie si l'autonomie restante est moins de 7%.

\*Lors de l'activation automatique du mode d'économie d'énergie à cause d'une autonomie faible, l'outil ne pourra pas retourner au mode quotidien jusqu'à ce que la pile soit chargée/remplacée.

### Indicateur de charge de la batterie

La jauge de carburant s'affiche en continu lorsque l'outil est en marche. Lorsqu'il reste moins de 7% de charge, 1 voyant clignote en continu sur la jauge de carburant jusqu'à ce que l'outil s'éteigne.

Pour signaler la fin de la charge, 1 voyant sur la jauge de carburant clignotera 4 fois et l'outil ne fonctionnera pas. Chargez la batterie.

Si l'outil devient trop chaud, les voyants de la jauge de carburant clignoteront et l'outil ne fonctionnera pas. Laissez l'outil refroidir.

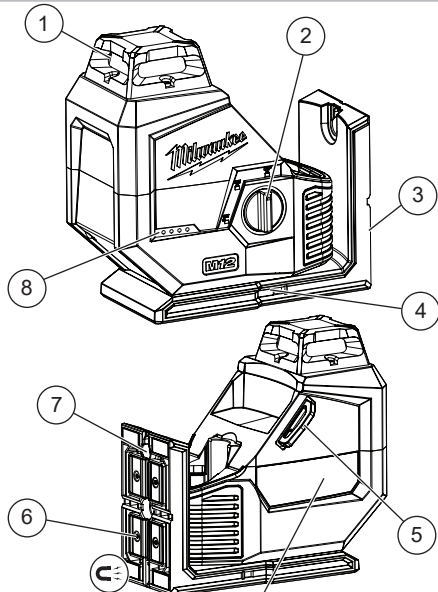
**⚠ AVERTISSEMENT** Afin de minimiser le risque de blessures et de dommages, monter/attacher fermement le laser avant d'entreprendre une opération. Des blessures/dommages pourront survenir si le laser tombe.

### Montage/ajustage du niveau laser

C'est possible d'utiliser le support de pivot pour monter le niveau laser de plusieurs façons :

- Utiliser les aimants intégrés pour fixer le niveau laser sur les goujons en acier, les poutres en acier, etc.
- Se servir de la rainure de plots de support pour accrocher le niveau laser sur le mur à l'aide d'une vis ou d'un clou.
- Mettre le niveau laser sur une surface plate.
- Mettre le laser et/ou la plaque de montage murale sur une surface stable.
- Se servir d'un filet rapporté de 1/4"-20 ou de 5/8"-11 pour le monter sur un trépied.

## DESCRIPTION FONCTIONNELLE



1. Ouverture laser
2. Verrouillage du cadran d'alimentation
3. Support de montage
4. Fixation du trépied
5. Attache de lanière
6. Aimants
7. Trou de clou/vis
8. Jauge de carburant



## Attaches de Lanière

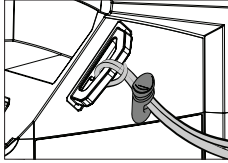
Utiliser les longes MILWAUKEE afin de minimiser les risques liés à des outils tombés. Conforme à la norme ANSI/ISEA 121:2018.

1. Suivez les instructions fournies avec le cordon de l'outil.

2. La longe créera un point d'ancrage sécurisé à utiliser.

### AVERTISSEMENT!

Ne pas dépasser la capacité maximale indiquée sur l'étiquette de la longe. Surpasser la capacité de poids maximal peut entraîner des lésions graves et même, la mort.



## MANIEMENT

**AVERTISSEMENT** Afin de minimiser le risque de blessures, toujours porter la protection oculaire appropriée certifiée conforme à la norme ANSI Z87.1.

Lorsque de travaux sont faits dans de situations poussiéreuses, porter une protection respiratoire ou bien, utiliser une solution d'extraction de poussière conforme aux normes OSHA.

**ATTENTION** L'usage de contrôles, de réglages ou de procédures ne figurant pas dans ce manuel peut entraîner l'exposition à des rayonnements dangereux.

**AVIS** Effectuer une révision de précision sur le champ au moment où chaque niveau laser est sorti de sa boîte et avant de l'exposer aux conditions du chantier. Pour de plus amples renseignements, voire la section « Vérification de précision sur champ ».

### Mise en marche et à l'arrêt

Pour allumer le laser et déverrouiller le pendule, tournez la molette Marche/Arrêt jusqu'à la position souhaitée. La durée de vie restante de la batterie sera affichée. **AVERTISSEMENT!** Ne regardez pas directement dans les ouvertures laser. Une ligne de niveau horizontale sera immédiatement émise par l'ouverture dans le boîtier du laser.

**ON** ALLUME le laser et déverrouille le pendule à des effets de mise de niveau automatique. **ON** ALLUME le laser mais ne déverrouille pas le pendule (l'auto-nivellement est désactivé). La ligne laser clignotera une fois toutes les 8 secondes pour indiquer que la ligne projetée n'est pas de niveau.

**REMARQUE** : Le mode **ON** désactive la mise à niveau automatique et n'est donc pas destiné à projeter une ligne de niveau.

**OFF** ÉTEINT le laser et verrouille le pendule. Lorsqu'il n'est pas utilisé, éteindre l'outil et ranger le niveau laser dans l'étui protectif de transport.

## Usage du niveau laser

1. Afin d'achever les meilleurs résultats, mettre l'outil sur une surface de travail qui soit:

- ferme
- nivelée (environ 4 degrés du niveau réel)
- exempte de vibrations
- 90° vers l'aire de travail

2. Allumer l'outil.

3. L'outil parviendra à se mettre de niveau automatiquement lorsqu'il est placé sur de surfaces au-dessus de 4 degrés du niveau réel lorsque le cadran est déverrouillé et activé.

4. L'outil est prêt une fois que la ligne émise est continue et ne bouge plus sur la surface de travail.

5. Si l'outil n'arrive pas à achever un état de nivellement (c'est-à-dire, la surface de travail est > 4 degrés hors du niveau réel), le ligne du laser clignotera vite (3 flashes par seconde). Ajuster ou rajuster la surface de travail.

## Dépannage

Si l'outil ne s'allume pas :

- S'assurer que la batterie ait été bien mise. L'indicateur de charge montrera la charge restante pourvu qu'elle ait été bien mise en charge.
- S'assurer que la batterie soit chargée.
- S'assurer que la température interne de l'outil se trouve auprès des plages de fonctionnement indiquées. Si l'outil a été rangé dans de conditions de chaleur ou froid extrême, le laisser, pendant deux heures, s'ajuster à la température ambiante avant de l'allumer.

Si le problème persiste, contacter une installation de réparations MILWAUKEE à des fins d'assistance.

## REVISION DE PRECISION SUR CHAMP

**AVIS** Effectuer une révision de précision sur le champ au moment où chaque niveau laser est sorti de sa boîte et avant de l'exposer aux conditions du chantier. Pour de plus amples renseignements, voire la section « Vérification de précision sur champ ». Si jamais une anomalie est trouvée par rapport à l'efficacité listée du produit, veuillez contacter un centre de réparations MILWAUKEE. La faute de cette procédure pourra entraîner le rejet de la réclamation de la garantie.

### Influences sur la précision

Les gradients de la température ambiante pourront affecter la précision du laser. Afin d'achever de résultats précis et reproductibles, il faut suivre les étapes de la procédure suivante en tenant le laser élevé du sol et mis au milieu de l'aire de travail.

L'usage abusif du niveau laser, tel que les impacts excessifs à cause de chutes, pourront aussi causer de déviations dans la précision du produit.

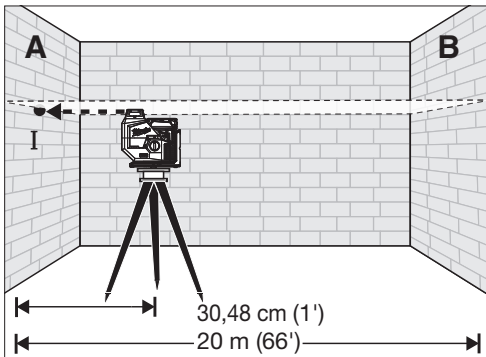
Il est donc conseillé d'effectuer la procédure de vérification sur champ après tout choc et avant d'entreprendre toute tâche critique


### Précision de hauteur horizontale

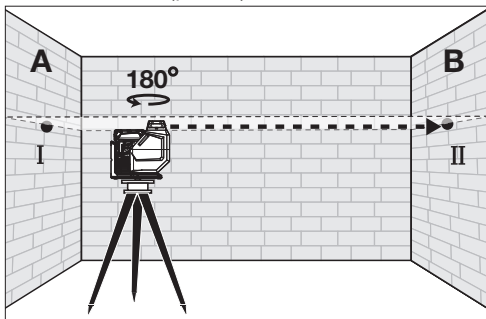
Pour effectuer cette vérification, une jauge de distance de mesure approximative de 20 m (66') dans une surface ferme entre deux murs ou structures A et B est requise.


Il est aussi conseillé de monter le niveau laser sur un trépied à des fins d'un ajustage facile.

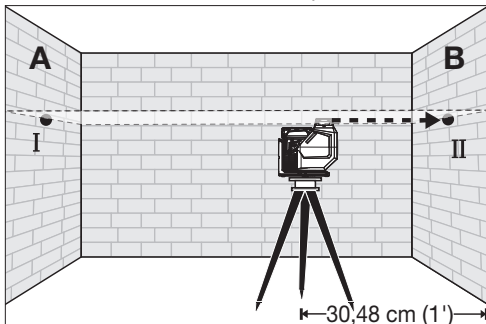
1. Monter fermement l'outil à une distance approximative de 30,48 cm (1') du mur A.



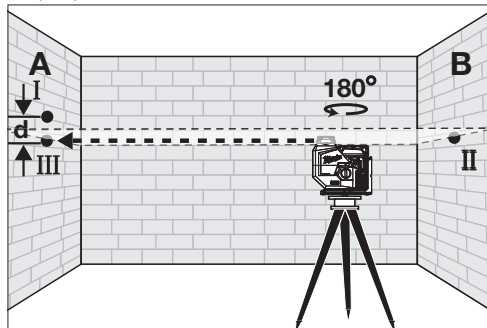
2. Allumer l'outil en le mettant dans la position  ON.  
3. Diriger le faisceau avant du laser en direction du mur A le plus proche et laisser l'outil parvenir à se mettre de niveau automatiquement. Marquer le centre de la ligne horizontale sur le mur (point I).  
4. Tourner l'outil complet avec support de 180° sans changer la hauteur, le laisser parvenir à se mettre de niveau automatiquement et marquer le centre de la ligne horizontale sur le mur B qui se trouve de l'autre côté (point II).



5. Déplacer l'outil auprès de 30,48 cm (1') du mur B.  l'outil. Ajuster la hauteur de l'outil (à l'aide d'un trépied ou en ajoutant de cales, si nécessaire) d'une façon telle que la ligne horizontale soit projeté exactement contre le point II marqué auparavant sur le mur B. Laisser l'outil parvenir à se mettre de niveau automatiquement.



6. Tourner l'outil complet avec support de 180° sans changer la hauteur, le laisser parvenir à se mettre de niveau automatiquement et marquer le centre de la ligne horizontale sur le mur A (point III). Le point III devra être aligné aussi vertical, en dessous ou au-dessus du point I du mur A, que possible.



7. La distance entre les points I et III sur le mur A représenté la déviation (d) de hauteur de l'outil. Cette distance ne devra pas dépasser 6,35 mm (1/8") (max.) à 10 m (33') (13 mm [1/2"] à 40 m [132']). Par rapport à la distance de mesure de 2 x 20 m (66') = 40 m (132'), la déviation maximale permise (d) est:  $40 \text{ m (132')} \times \pm 6,35 \text{ mm } (\pm 1/8'') \div 10 \text{ m (33')} = 13 \text{ mm } (\pm 1/2'')$ .

## ENTRETIEN

**⚠ AVERTISSEMENT** Afin de minimiser le risque de blessures, toujours enlever les piles avant d'effectuer tout entretien. Ne jamais démonter l'outil.

### Entretien du niveau laser

Entretien les outils. En cas de dommages, faire réparer l'outil avant de l'utiliser. Les accidents pourront survenir à cause d'outils mal entretenus.

**⚠ AVERTISSEMENT** Afin de minimiser le risque de blessures physiques ou de dommages, ne jamais immerger l'outil dans un liquide et ne laisser aucun liquide entrer dans l'outil.

### Nettoyage

Gardez les outils propres, à sec et exempts d'huile ou de graisse. Le nettoyage doit se faire avec un linge humide et un savon doux. Certains nettoyeurs tels l'essence, la térébenthine, les diluants à laque ou à peinture, les solvants chlorés, l'ammoniaque et les détergents d'usage domestique qui en contiennent pourraient détériorer le plastique et l'isolation des pièces. Ne laissez jamais de solvants inflammables ou combustibles auprès des outils.

### Nettoyage des lentilles

Souffler les particules volantes à l'aide de l'air comprimé propre. Nettoyer soigneusement la surface à l'aide d'un coton-tige imbibé de l'eau.

### Réparations

Pour les réparations, retournez l'outil, batterie et chargeur en entier au centre-service autorisé le plus près.

## ACCESOIRES

**⚠ AVERTISSEMENT** N'utiliser les outils qu'avec les accessoires spécifiquement recommandés. L'usage de tout autre accessoire peut entraîner un risque de blessure.

## SERVICE - CANADA

Milwaukee Tool (Canada) Ltd

1.800.268.4015

Monday-Friday, 7:00 AM - 4:30 PM CST

www.milwaukeeool.ca

## GARANTIE LIMITÉE - AUX ÉTATS-UNIS ET A CANADA

Chaque outil électrique® MILWAUKEE (voir les exceptions ci-dessous) est garanti uniquement à l'acheteur d'origine d'être exempt de tous défauts de matériau et de main-d'œuvre. Sous réserve de certaines exceptions, MILWAUKEE réparera ou remplacera toute pièce d'un outil électrique qui, après examen par MILWAUKEE, est affectée d'un vice de matériau ou de main-d'œuvre pendant une période de cinq (5) ans\*\* après la date d'achat, sauf indication contraire. Il faudra retourner l'outil électrique à un centre de service en usine MILWAUKEE ou à un poste d'entretien agréé MILWAUKEE, en port prépayé et assuré. Une copie de la preuve d'achat doit être présentée lors du retour du produit. Cette garantie ne couvre pas les dommages que MILWAUKEE détermine d'être causés par des réparations ou des tentatives de réparation par quiconque d'autre que le personnel agréé par MILWAUKEE, des utilisations incorrectes, des altérations, des utilisations abusives, une usure normale, une carence d'entretien ou les accidents.

Usure normale : Par rapport à plusieurs outils électriques, il faut remplacer et entretenir leurs pièces afin d'achever leur rendement optimal. Cette garantie ne couvre pas les cas de réparation lorsque la vie utile normale de la pièce s'est terminée, incluant, sans s'y limiter, les mandrins, les balais, les câbles, les patins de scie, les brides de lame, les joints toriques, les embouts, les butoirs, les lames d'entraînement, les pistons, les perceurs, les poussoirs et les rondelles de protection de bûche.

\* Cette garantie ne s'applique pas aux clouses-agrafeuses pneumatiques, aux pulvérisateurs à peinture sans air, aux blocs-piles pour outils sans fil, aux générateurs d'alimentation portatifs à essence, aux outils à main, aux monte-charge électriques, à levier et à chaîne (manuel), aux vêtements chauffants M12™, aux produits résinés, ni aux produits d'essai et de mesure. Il y a d'autres garanties différentes disponibles pour ces produits.

\*\* La période de garantie couvrant les radios de chantier, le port d'alimentation M12™, la source d'alimentation M18™, le ventilateur de chantier et les chariots de chantier industriels Trade Titan™ est d'une durée d'un (1) an à partir de la date d'achat. La période de la garantie pour les clés à chocs à couple élevé à poignée en « D » de 1" M18 FUEL™, les câbles de nettoyage de drain, les accessoires pour pistolet pneumatique de nettoyage de drains AIRSNAKE™, les niveaux laser USB REDLITHIUM™ et les furets de 0,3 m (25') TRAPSNAKE™ avec CABLE DRIVE™ est d'une durée de deux (2) ans à partir de la date d'achat. La période de la garantie pour le pistolet thermique compact M18™, l'extracteur de poussière de 30,3 l (8 gal), les clouses de charpenterie M18™, la clé à chocs à couple contrôlé à enclume extérieure de 1/2" M18 FUEL™ avec ONE-KEY™, la clé à chocs à couple élevé de 1" M18 FUEL™ avec ONE-KEY™, le compresseur silencieux compact de 7,6 l (2 gal) M18 FUEL™, les niveaux laser M12™, le détecteur de laser de 19,8 m (65'), la clouse à chevilles 23 GAM12™, la riveteuse aveugle de 6,4 mm (1/4") M18 FUEL™ avec ONE-KEY™, le tampon de pneu basse vitesse M12 FUEL™, les polisseuses à orbite aléatoire à double action M18 FUEL™ et les agrafeuses utilitaires pour clôture M18™ est d'une durée de trois (3) ans à partir de la date d'achat. La période de la garantie pour la lumière à DEL d'une lampe de travail à DEL et l'ampoule transformée à DEL d'une lampe de travail est d'une durée égale à la vie utile du produit en raison des limites précédentes. Si la lumière à DEL ou l'ampoule à DEL tombe en panne durant l'usage normal, la pièce devra être remplacée gratuitement.

L'inscription de la garantie n'est pas nécessaire pour bénéficier de la garantie en vigueur d'un outil électrique MILWAUKEE. La date de fabrication du produit servira à établir la période de garantie si aucune preuve d'achat n'est fournie lorsque le produit est retourné. Cette garantie est faite sous l'ACCEPTATION DES RECOURS EXCLUSIFS DE RÉPARATION ET DE REMPLACEMENT DÉCRITS PAR LA PRÉSENTE EST UNE CONDITION DU CONTRAT D'ACHAT DE TOUT PRODUIT MILWAUKEE. SI VOUS N'ACCEPTÉZ PAS CETTE CONDITION, VOUS NE DEVEZ PAS ACHETER LE PRODUIT. EN AUCUN CAS MILWAUKEE NE SAURAIT ÊTRE RESPONSABLE DE TOUT DOMMAGE ACCESSOIRE, SPÉCIAL OU INDIRECT, DE DOMMAGES-INTÉRÊTS PUNITIFS OU DE TOUTE DÉPENSE, D'HONORAIRES D'AVOCATS, DE FRAIS, DE PERTE OU DE DELAIS ACCESSOIRES À TOUT DOMMAGE, DÉFAILLANCE OU DÉFAUT DE TOUT PRODUIT, Y COMPRIS NOTAMMENT LES PERTES DE PROFIT. CERTAINS ÉTATS ET PROVINCES NE PERMETTANT L'EXCLUSION OU LA LIMITATION DES DOMMAGES DIRECTS OU INDIRECTS, LES RESTRICTIONS CI-DESSOUS PEUVENT NE PAS ÊTRE APPLICABLES. CETTE GARANTIE EST FAITE SANS REMPLACEMENT TOUT AUTRE GARANTIE EXPRESSE, QUELLE SOIT VERBALE OU ÉCRITE. DANS LA MESURE PERMISE PAR LA LOI, MILWAUKEE RENONCE À TOUTE GARANTIE IMPLICITE, Y COMPRIS, SANS S'Y LIMITER, TOUTE GARANTIE IMPLICITE DE COMMERCIALISABILITÉ OU D'ADAPTATION À UNE UTILISATION OU À UNE FIN PARTICULIÈRE. DANS LA MESURE OU UNE TELLE STIPULATION D'EXONÉRATION N'EST PAS PERMISE PAR LA LOI, LA DURÉE DE CES GARANTIES IMPLICITES EST LIMITÉE À LA PÉRIODE APPLICABLE DE LA GARANTIE EXPRESSE, TELLE QUE CELA EST DÉCRIT PRÉCÉDEMMENT. CERTAINES PROVINCES NE PERMETTANT PAS DE LIMITATION DE DURÉE DES GARANTIES IMPLICITES, LES RESTRICTIONS CI-DESSUS PEUVENT NE PAS ÊTRE APPLICABLES. LA PRÉSENTE CONFÈRE À L'UTILISATEUR DES DROITS LÉGAUX PARTICULIERS ; IL BÉNÉFICIE ÉGALEMENT

D'AUTRES DROITS QUI VARIENT D'UNE PROVINCE À L'AUTRE. Cette garantie s'applique uniquement aux produits vendus aux États-Unis et au Canada.

Veillez consulter l'ongle « Trouver un centre de service », dans la section « Pièces et service » du site web de MILWAUKEE, à l'adresse www.milwaukeeool.com, ou composer le 1-800-SAWDUST (1-800-729-3878) afin de trouver le centre de service de votre région le plus proche pour l'entretien, sous garantie ou non, de votre outil électrique Milwaukee.

## ADVERTENCIAS DE SEGURIDAD GENERALES PARA LA HERRAMIENTA ELÉCTRICA

**⚠ ADVERTENCIA** Lea y comprenda todas las instrucciones. No seguir todas las instrucciones que se enumeran a continuación podría provocar una descarga eléctrica, incendio o lesiones graves. **Guarde todas las advertencias e instrucciones para futura consulta.**

• **Guarde estas instrucciones:** este manual del operador contiene instrucciones importantes de seguridad y operación.

## SEGURIDAD DEL LÁSER

**⚠ ADVERTENCIA** El dispositivo produce rayos láser visibles, los cuales son emitidos desde la herramienta.

- Este dispositivo cumple con la norma 21 cfr 1040.10 Y 1040.11 Excepto cuando cumple con la norma 60825 -1 ed. 3., Descrita en el aviso del láser 56, con fecha del 8 de mayo de 2019.
- Luz láser - no mire fijamente al rayo ni lo vea directamente con instrumentos ópticos. No dirija la luz láser a otras personas. La luz láser puede causar daño a los ojos.

## SEGURIDAD EN EL ÁREA DE TRABAJO

- Asegúrese de que haya protecciones adecuadas en el sitio de trabajo (por ej., revisión del sitio al realizar mediciones en carreteras, obras de construcción, etc.).
- Evite los entornos peligrosos. Evite la exposición prolongada en la lluvia, nieve o lugares húmedos o mojados. No se use en presencia de atmósferas explosivas (vapores gaseosos, polvo o materiales inflamables).

## SEGURIDAD PERSONAL

- No permita que operen esta herramienta personas que no estén familiarizadas con el aparato, estas instrucciones de seguridad y el manual del operador de la herramienta. Esta herramienta puede ser peligrosa en manos de usuarios sin capacitación.
- No estire el cuerpo demasiado. Mantenga una posición segura y equilibrada adecuada en todo momento. Esto permite un mejor control de la herramienta en situaciones inesperadas.

## USO Y CUIDADO DE LAS HERRAMIENTAS CON BATERÍA

- Recargue únicamente con el cargador especificado por el fabricante. Un cargador que es adecuado para un tipo de batería puede crear un riesgo de incendio si se utiliza con otra batería.
- Utilice las herramientas eléctricas únicamente con baterías específicamente diseñadas. El uso de cualquier otra batería puede producir un riesgo de lesiones e incendio.
- Cuando la batería no esté en uso, manténgala alejada de otros objetos metálicos como sujetapapeles, monedas, llaves, clavos, tornillos u otros objetos metálicos pequeños que puedan

formar una conexión de una terminal a otra. Crear un corto entre las terminales de la batería puede ocasionar quemaduras o un incendio.

- **Bajo condiciones de maltrato, el líquido puede ser expulsado de la batería, evite el contacto. Si ocurre un contacto accidental, enjuague con agua. Si el líquido entra a los ojos, busque también ayuda médica.** El líquido expulsado de la batería puede causar irritación o quemaduras.
- **No use una batería o herramienta que se haya dañado o modificado.** Las baterías dañadas o modificadas pueden mostrar un comportamiento impredecible, causando incendios, explosión o riesgo de lesión.

• **No exponga una batería o herramienta al fuego o a temperatura excesiva.** La exposición a fuego o temperatura a más de 130 °C (265 °F) puede causar explosiones.

• **Siga todas las instrucciones de carga y no cargue la batería o la herramienta fuera del rango de temperatura especificado en las instrucciones.** La carga incorrecta o a temperaturas fuera del rango especificado puede dañar la batería y aumentar el riesgo de incendio.

• **Almacene su batería y herramienta en un lugar fresco y seco.** No almacene la batería donde la temperatura pudiera exceder 120 °F (50 °C) tal como en la luz solar directa, un vehículo o edificio de metal durante el verano.

## REGLAS ESPECIFICAS DE SEGURIDAD PARA LOS NIVELES DE LASER

• **Esté alerta a resultados erróneos si la herramienta está defectuosa o si cayó al suelo, se utilizó incorrectamente o se modificó.**

• **¡No deseche la herramienta ni las baterías junto con basura doméstica!** Las herramientas y las baterías que hayan llegado al final de su vida deben recolectarse por separado y devolverse a un centro de reciclado ambientalmente compatible.

• **Asegúrese de que los imanes de la herramienta estén montados fijamente a una superficie de metal.** La fuerza del imán puede no sostenerse en superficies metálicas delgadas, provocando que se caiga la herramienta.

• **ADVERTENCIA** Para reducir el riesgo de lesiones, al momento de realizar trabajos en situaciones donde haya presencia de polvo, utilice la protección respiratoria adecuada o utilice una solución de extracción de polvo que cumpla con los requisitos de la OSHA.

• **Válgase siempre de su sentido común y sea cuidadoso cuando utilice herramientas.** No es posible anticipar todas las situaciones que podrían tener un desenlace peligroso. No utilice esta herramienta si no entiende estas instrucciones de uso o si considera que el trabajo a realizar supera sus capacidades, comuníquese con Milwaukee Tool o con un profesional capacitado para recibir capacitación o información adicional.

• **Si está usando un accollador, no exceda la capacidad máxima indicada en la etiqueta del accollador.** Siempre determine el peso del producto con todos los accesorios al elegir el sistema de

acollador correcto. Exceder la capacidad máxima puede resultar en una lesión grave. Consulte las especificaciones del peso de la herramienta y la batería.

• **Para mejores resultados, utilice con accolladores que absorban la energía.** Las cuerdas, correas o cadenas pueden romperse y provocar una falla. No utilice con accolladores con tensión completa.

• **Conserva las etiquetas y las placas nominales.** Incluyen información importante. Si son ilegibles o no están presentes, comuníquese con MILWAUKEE para obtener un reemplazo gratuito.

• **El dispositivo cumple con los requisitos más exigentes de las normas y reglamentos relevantes de compatibilidad electromagnética (EMC).** Sin embargo, no puede excluirse por completo la posibilidad de que se ocasione interferencia en otros dispositivos.

• **ADVERTENCIA** El uso de controles o ajustes, o el desempeño de los procedimientos que no sean los que se especifican aquí puede provocar una exposición peligrosa a la radiación.

• **Asegúrese de apagar el instrumento después de utilizarlo.** Cuando no se utilice el instrumento por un periodo largo, almacénelo después de retirar las baterías.

**FCC** Comisión Federal de Comunicaciones

**ADVERTENCIA** Los cambios o modificaciones realizadas a esta unidad que no sean expresamente aprobados por la parte responsable del cumplimiento podrían anular la autoridad del usuario para operar el equipo.

Este equipo ha sido probado y se ha encontrado que cumple con los límites de un dispositivo digital de Clase B, en cumplimiento con la parte 15 de las reglas de la FCC. Estos límites están diseñados para proporcionar protección razonable contra la interferencia nociva en una instalación residencial. Este equipo genera, usa y puede irradiar energía de radiofrecuencia y, si no se instala y se utiliza de acuerdo con las instrucciones, puede ocasionar interferencia nociva con las comunicaciones por radio.

Sin embargo, no existe garantía de que no ocurrirá interferencia en una instalación en particular. Si este equipo ocasiona interferencia nociva con la recepción de radio o televisión que pueda determinarse encendiendo y apagando el equipo, se anima al usuario a intentar corregir la interferencia mediante una o más de las siguientes medidas:

- Reorientar o reubicar la antena receptora.
- Aumentar la distancia entre el equipo y el receptor.
- Consulte al distribuidor o a un técnico experimentado de radio/TV para solicitar ayuda.

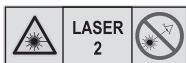
## SIMBOLOGÍA



Volts



Corriente continua



Radiación del láser  
No mire fijamente al rayo  
Producto láser de clase 2



Imanes

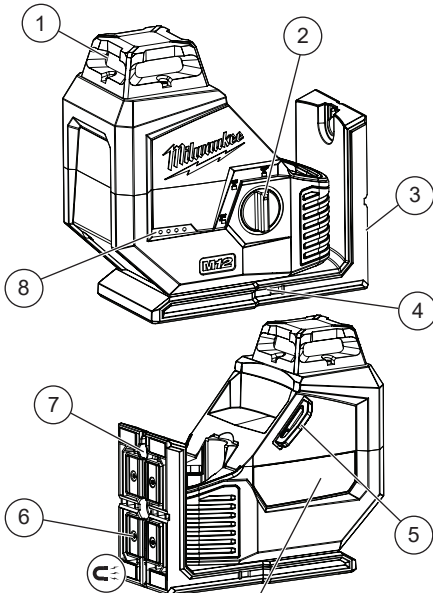


Lea el manual del operador

## ESPECIFICACIONES

Cat. No. ....	3631-20
Voltios .....	12 CD
Tipo de batería .....	M12™
Tipo de cargador .....	M12™
Láser .....	Clase 2
Potencia máx. ....	$P_{AVG} \leq 8 \text{ mW}$
Frecuencia .....	10 KHz
Modo normal de duración del pulso .....	$T_p \leq 80 \mu\text{s}$
Duración del pulso en modo ahorro .....	$T_p \leq 50 \mu\text{s}$
Longitud de onda .....	510-530 nm
Divergencia de rayo .....	3 rad
Rango de operación .....	38 m (125' Radio)
Rango con detector .....	50 m (165' Radio)
Precisión .....	3 mm ( $\pm 1/8"$ ) a 10 m (33')
Tiempo de fijación .....	< 3 segundos
Montaje de tripié .....	1/4"-20, 5/8"-11
Protección contra ingreso de basura .....	IP54
Clasificación de caída .....	1 m
Nivelación .....	Automática de $\pm 4^\circ$ de lado a lado, adelante hacia atrás
Peso de la herramienta .....	0,92 kg (2,03 lbs)
Peso .....	1,32 kg (2,91 lbs)
(Con la batería compatible más pesada)	
Temperatura de almacenamiento .....	-20°C a 49°C (-4°F to 120°F)
Temperatura ambiente recomendada para operar .....	-10°C a 40°C (14°F a 104°F)

## DESCRIPCION FUNCIONAL



1. Apertura láser
2. Bloqueo del dial de potencia
3. Soporte de montaje
4. Accesorio de tripié
5. Accesorio de cordón
6. Imanes
7. Agujero de clavo / tornillo
8. Indicador de combustible

## ENSAMBLAJE

**⚠ ADVERTENCIA** Recargue la batería sólo con el cargador especificado para ella. Para instrucciones específicas sobre cómo cargar, lea el manual del operador suministrado con su cargador y la batería.

### Como se inserta/quita la batería en la herramienta

Para **retirar** la batería, presione los botones de liberación y jale de la batería para sacarla de la herramienta.

**⚠ ADVERTENCIA** Siempre bloquee la herramienta o retire el paquete de baterías cada vez que la herramienta no esté en uso.

Para **introducir** la batería, deslícela en el cuerpo de la herramienta. Asegúrese de que quede bien firme en su posición.

**⚠ ADVERTENCIA** Utilice únicamente accesorios específicamente recomendados para esta herramienta. El uso de accesorios no recomendados podría resultar peligroso.

### Modo ahorro de energía

El modo de ahorro de energía se indica mediante rayos láser atenuados. El rango visual se ve disminuido en el modo ahorro de energía. La herramienta cambiará automáticamente a modo de ahorro de energía si la batería posee menos del 7% de carga. \*Cuando se cambia automáticamente a modo ahorro debido a la batería baja, la herramienta no puede regresar a modo normal hasta que se cargue o reemplace la batería.

### Indicador de carga

El indicador de combustible se muestra continuamente cuando la herramienta está encendida. Cuando queda menos del 7% de carga, 1 luz parpadea continuamente en el indicador de combustible hasta que la herramienta se apaga.

Para señalar el final de la carga, una luz en el indicador de combustible parpadeará 4 veces y la herramienta no funcionará. Cargue la batería.

Si la herramienta se calienta demasiado, las luces del indicador de combustible parpadearán y la herramienta no funcionará. Deje que la herramienta se enfríe.

**⚠ ADVERTENCIA** Para reducir el riesgo de lesiones o daños, monte o sujete fijamente el láser antes de iniciar una operación. Puede haber daños o lesiones si el láser se cae.

### Montar o ajustar el nivel láser

El soporte del pivote puede usarse para montar el nivel láser de varias maneras:

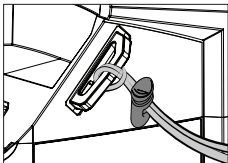
- Utilice los imanes incrustados para fijar el nivel láser a los montantes de acero, vigas de acero, etc.
- Utilice la ranura de bocallave para colgar el nivel láser en la pared con un clavo o tornillo.
- Coloque el nivel láser en una superficie plana.
- Posicione el láser o el montaje de pared en una superficie estable.
- Utilice el inserto roscados de 1/4" - 20, 5/8" - 11 para montar en un tripié.

## Accesorios de Cordón

Use los acolladores MILWAUKEE para ayudar a reducir los riesgos asociados con las herramientas caídas. Cumple con ANSI/ISEA 121:2018.

1. Siga las instrucciones proporcionadas con el cordón para herramientas.

2. El cordón creará un punto de anclaje seguro para su uso. **ADVERTENCIA!** No exceda la capacidad máxima marcada en la etiqueta de la lanzadera. Exceder la capacidad máxima puede resultar en lesiones graves o la muerte.



## OPERACION

**ADVERTENCIA** Para reducir el riesgo de lesiones o efectos temporales en la vista, no mire directamente hacia el láser cuando esté encendido.

**ATENCIÓN** El uso de controles o ajustes, o el desempeño de los procedimientos que no sean los que se especifican aquí puede provocar una exposición peligrosa a la radiación.

**AVISO** Realice inmediatamente el procedimiento de revisión del campo de precisión al abrir el paquete de cada nivel láser nuevo y antes de exponerlo a condiciones del sitio de trabajo. Consulte la sección de "Revisión del campo de precisión" para más información.

### Encendido en On/Off

Para encender el láser y desbloquear el péndulo, gire el dial de encendido / apagado a la posición deseada. Se mostrará la duración restante de la batería. **ADVERTENCIA!** No mire directamente a las aberturas del láser. La línea de nivel horizontal se emitirá inmediatamente desde la apertura de la carcasa del láser.

**ON** Enciende el láser y desbloquea el péndulo para poder autonivelarse.

**ON** Enciende el láser pero no desbloquea el péndulo (la autonivelación está desactivada). La línea láser parpadeará una vez cada 8 segundos para indicar que la línea proyectada no está nivelada.

**NOTA:** El modo en **ON** desactiva la autonivelación y, por lo tanto, no está diseñado para proyectar una línea de nivel.

**OFF** Apaga el láser y bloquea el péndulo. Cuando no esté en uso, apague la herramienta y almacene el nivel láser en el estuche de transporte protector

## Uso del nivel de laser

1. Para mejores resultados, coloque la herramienta en una superficie que sea:
  - robusta
  - nivelada (dentro de 4 grados de nivel verdadero)
  - sin vibraciones
  - Ajuste a 90° del área de trabajo
2. Encienda la herramienta.
3. La herramienta se autonivelará al colocarse en superficies con 4 grados de nivel verdadero cuando el disco se encuentre desbloqueado y en ON.
4. La herramienta está lista una vez que la línea emitida es continua y ya no se mueve sobre la superficie de trabajo.
5. Si la herramienta no puede lograr un estado de nivelación (es decir, la superficie de trabajo tiene una desnivelación verdadera mayor a 4 grados), la línea láser parpadeará rápidamente (3 parpadeos por segundo). Vuelva a colocarla o ajuste la superficie de trabajo.

### Resolución de problemas

Si la herramienta no enciende:

- Asegúrese de que la batería esté instalada adecuadamente. El indicador de combustible debe indicar la carga restante cuando se instala correctamente.
- Asegúrese de que la batería esté cargada.
- Asegúrese de que la temperatura interna de la herramienta se encuentra dentro de los rangos operativos especificados. Si se almacenan en calor o frío excesivo, permita que transcurran al menos 2 horas para aclimatarse a temperatura ambiente antes de encender la herramienta.

Si el problema continúa, contacte a las instalaciones de servicio MILWAUKEE para que le apoyen.

## REVISIÓN DEL CAMPO DE PRECISIÓN

**AVISO** Realice inmediatamente el procedimiento de revisión del campo de precisión al abrir el paquete de cada nivel láser nuevo y antes de exponerlo a condiciones del sitio de trabajo. Consulte la sección de "Revisión del campo de precisión" para más información. En caso de que encuentre alguna desviación en la precisión del producto, contacte a las instalaciones de servicio MILWAUKEE. El no hacerlo puede provocar que se rechace una reclamación de la garantía.

### Influencias sobre la precisión

Los gradientes de la temperatura ambiente pueden afectar la precisión láser. Para obtener resultados precisos y repetibles, debe realizarse el siguiente procedimiento con el láser elevado del piso y colocado en el centro del área de trabajo.

El manejo incorrecto del nivel láser, como impactos excesivos por caídas, también puede provocar desviaciones en la precisión del producto.

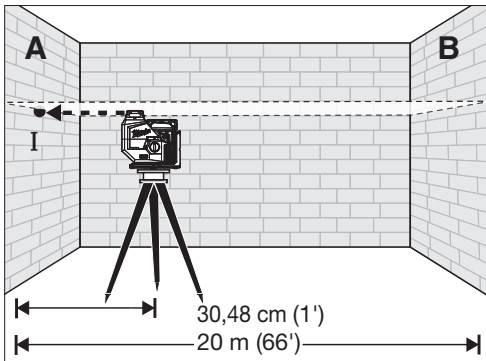
Por lo tanto, se recomienda realizar un procedimiento de revisión del campo después de cualquier impacto o antes de completar cualquier trabajo esencial.

### Precisión de la altura horizontal

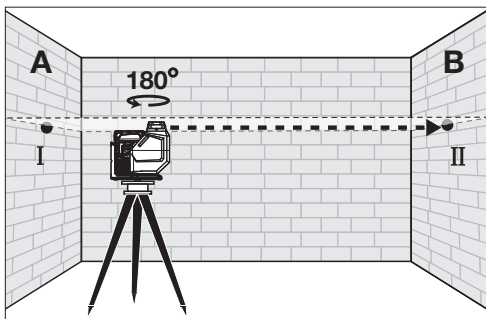
Se necesita una distancia de medición libre de aproximadamente 20 m (66') sobre una superficie firme entre dos paredes o estructuras A y B para esta revisión.

También se sugiere montar el nivel láser sobre un tripié para un fácil ajuste.

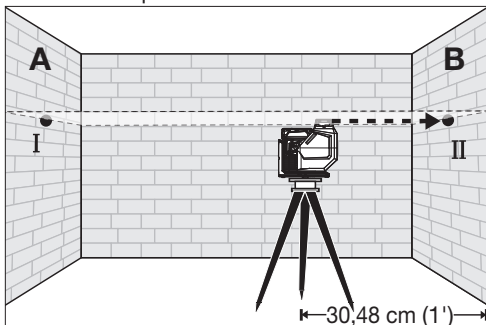
1. Monte fijamente la herramienta a una distancia de 30,48 cm (1') de la pared A.



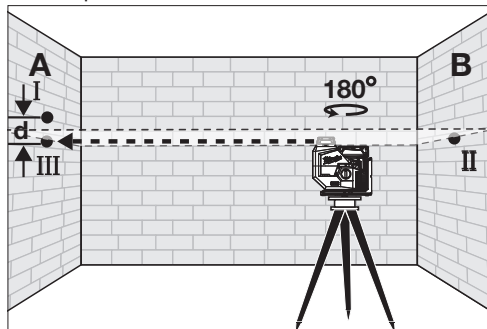
2. Encienda la herramienta en **ON**.
3. Dirija los rayos láser frontales contra la pared A más cercana y permita la autonivelación. Marque el centro de la línea horizontal en la pared (punto I).
4. herramienta completa con soporte 180° sin cambiar la altura, permita que se autonivele y marque el centro de la línea horizontal en la pared B opuesta (punto II).



5. Mueva la herramienta a una distancia de 30,48 cm (1') de la pared B. Encienda la herramienta en **ON**. Ajuste la altura de la herramienta (con un tripié o con calzas, de ser necesario) para que la línea horizontal se proyecte exactamente contra el punto II previamente marcado en la pared B. Permita que la herramienta se autonivele.



6. herramienta completa con soporte 180° sin cambiar la altura, permita que se autonivele y marque el centro de la línea horizontal en la pared A (punto III). El punto III debe estar alineado lo más verticalmente posible arriba o debajo del punto I en la pared A.



7. La distancia entre los puntos I y III en la pared A es la desviación (d) de la altura de la herramienta. Esta distancia no debe superar 3,18 mm (1/8") como máximo a 10 m (33') (13 mm a 40 m (1/2" at 132')). Para la distancia de medición de 2 x 20 m = 40 m (2 x 66' = 132'), la desviación máxima permitida (d) es:  $40 \text{ m} \times \pm 3,18 \text{ mm} \div 10 \text{ m} = \pm 13 \text{ mm}$  ( $132' \times \pm 1/8 \div 33' = \pm 1/2''$ ).

## MANTENIMIENTO

**⚠ADVERTENCIA** Para reducir el riesgo de lesión, siempre retire las baterías antes de realizar algún mantenimiento. Nunca desarme la herramienta.

### Mantenimiento del nivel láser

Dé mantenimiento a las herramientas. Si se daña, asegúrese de que la herramienta sea reparada antes de utilizarse. La falta de mantenimiento de las herramientas puede ocasionar accidentes.

**⚠ADVERTENCIA** Para reducir el riesgo de lesiones personales y daños materiales, nunca sumerja su herramienta en líquido ni permita que un líquido fluya hacia su interior.

### Limpieza

Mantenga las herramienta, limpios, secos y libres de aceite o grasa. Use solo jabón neutro y un trapo húmedo para limpiar, ya que algunos sustancias y solventes limpiadores son dañinos a los plásticos y partes aislantes. Algunos de estos incluyen: gasolina, turpentina, thinner, lacas, thinner para pinturas, solventes para limpieza con cloro, amoníaco y detergentes caseros que tengan amonía. Nunca use solventes inflamables o combustibles cerca de una herramienta.

### Limpieza de las lentes

Sople las partículas sueltas con aire comprimido limpio. Limpie cuidadosamente la superficie con un hisopo de algodón humedecido con agua.

### Reparaciones

Si su herramienta, batería o cargador están dañados, envíela al centro de servicio autorizado más cercano.

## ACCESORIOS

**ADVERTENCIA** Use las herramientas únicamente con accesorios específicamente designados. El uso de cualquier otro accesorio puede ocasionar un riesgo de lesiones.

### SOPORTE DE SERVICIO - MEXICO

#### CENTRO DE ATENCION A CLIENTES

Techtronic Industries Mexico, S.A. de C.V.  
Av. Presidente Masarik 29 Piso 7  
11560 Polanco V Seccion  
Miguel Hidalgo, Distrito Federal, México  
01 (800) 030-7777 o (55) 4160-3540  
Lunes a Viernes (9am a 6pm)

O contáctanos en [www.milwaukeeetool.com.mx](http://www.milwaukeeetool.com.mx)

### GARANTÍA LIMITADA - E.U.A. Y CANADÁ

Cada herramienta eléctrica\* de MILWAUKEE (ver excepciones a continuación) está garantizada para el comprador original únicamente de que no tenga material y mano de obra defectuosos. Sujeto a ciertas excepciones, MILWAUKEE reparará o reemplazará cualquier parte en una herramienta eléctrica que tenga defectos de material o mano de obra según lo determine MILWAUKEE mediante una revisión, por un periodo de cinco (5) años\*\* después de la fecha de compra a menos que se indique lo contrario. Al devolver la herramienta eléctrica a un Centro de Servicio de la fábrica de MILWAUKEE o a una Estación de Servicio Autorizada de MILWAUKEE, se requiere que el filete esté pagado por adelantado y asegurado. Se debe incluir una copia del comprobante de compra con el producto devuelto. Esta garantía no aplica a daños que MILWAUKEE determine que son ocasionados por reparaciones o intentos de reparaciones realizados por una persona que no sea personal autorizado de MILWAUKEE, uso indebido, alteraciones, maltrato, desgaste normal, falta de mantenimiento o accidentes. Desgaste normal: Muchas herramientas eléctricas necesitan un reemplazo periódico de partes y servicio para lograr el mejor desempeño. Esta garantía no cubre la reparación cuando el uso normal haya agotado la vida de una parte, incluyendo sin limitar a mandriles, cepillos, cables, zapatas de la sierra, abrazaderas de la hoja, juntas tóricas, sellos, protectores, hojas de desatornilladores, pistones, herrajes, levantadores y arandelas de cubierta de los protectores.

\*Esta garantía no cubre clavadoras y grapadoras neumáticas, pistola de pintura a presión, baterías inalámbricas, generadores de energía portátil de gasolina, herramientas de mano, palanca y cadena de mano de polipasto - eléctricas, prendas calefactadas M12™, producto recondicionado y productos de prueba y medición. Están disponibles distintas garantías independientes para estos productos.

\*\*La vigencia de la garantía para los radios para obra, el puerto de energía M12™, la fuente de poder M18™, el ventilador para obra y las carretillas de trabajo industrial Trade Titan™ es de un (1) año a partir de la fecha de compra. La vigencia de la garantía para las lavas de impacto de alto torque con empuñadura en D de 1" M18 FUEL™, los cables de limpieza de drenajes, los accesorios de la pistola de aire para limpieza de drenajes AIRSNAKE™, los niveles láser USB REDLITHIUM™ y el barreno de 0,3 m (25") TRAPSNAKE con CABLE DRIVE™ es de dos (2) años a partir de la fecha de compra. La vigencia de la garantía para la pistola de calor compacta M18™, el extractor de polvo de 30,3 l (8 gal.), las clavadoras de entramado M18™, la llave de impacto de torque controlado con yunque exterior de 1/2" M18 FUEL™ con ONE-KEY™, la llave de impacto de alto torque de 1" M18 FUEL™ con ONE-KEY™, el compresor silencioso compacto de 7.6 l (2 gal.) M18 FUEL™, los niveles láser M12™, el detector de láser de 19,8 m (165'), la clavadora de broches 23GA M12™, la ribeteadora ciega de 6,4 mm (1/4") M18 FUEL™ con ONE-KEY™, el raspador de neumáticos de baja velocidad M12 FUEL™, las pulidoras de órbita aleatoria de doble acción M18 FUEL™ y la engrapadora multiusos para cerca M18™ es de tres (3) años a partir de la fecha de compra. La vigencia de la garantía para la luz LED de la lámpara de trabajo LED y del bulbo mejorado de LED de la lámpara de trabajo es de la vida útil del producto sujeto a las limitaciones anteriores. Si la luz LED o el bulbo LED falla durante el uso normal, se cambiará la pieza sin costo.

No es necesario realizar el registro de la garantía para recibir la garantía correspondiente a un producto de herramienta eléctrica de MILWAUKEE. La fecha de fabricación del producto servirá para determinar la vigencia de la garantía si no se presenta ningún comprobante de compra al solicitar el servicio en garantía.

LA ACEPTACIÓN DE LOS RESARCIMIENTOS EXCLUSIVOS DE REPARACIÓN Y SUSTITUCIÓN AQUÍ DESCRITOS ES UNA CONDICIÓN

DEL CONTRATO EN CUANTO A LA COMPRA DE TODO PRODUCTO DE MILWAUKEE. SI USTED NO ACEPTA ESTA CONDICIÓN, NO DEBE COMPRAR EL PRODUCTO. MILWAUKEE NO SERÁ RESPONSABLE EN NINGÚN CASO DE DAÑOS INCIDENTALES, ESPECIALES, EMERGENTES O PUNITIVOS NI DE NINGÚN COSTO, HONORARIOS DE ABOGADOS, GASTOS, PERDIDAS O DEMORAS QUE SUPUESTAMENTE SEAN CONSECUENCIA DE ALGÚN DAÑO, FALLA O DEFECTO DE ALGUNO DE LOS PRODUCTOS, INCLUYENDO, ENTRE OTROS, RECLAMACIONES POR PÉRDIDA DE UTILIDADES, ALGUNOS ESTADOS NO PERMITEN LA EXCLUSIÓN O LIMITACIÓN DE RESPONSABILIDAD POR DAÑOS INCIDENTALES O EMERGENTES POR LO QUE LA ANTERIOR LIMITACIÓN O EXCLUSIÓN PODRÍA NO APLICARSE EN SU CASO. ESTA GARANTÍA ES EXCLUSIVA Y SUSTITUYE TODAS LAS DEMÁS GARANTÍAS EXPRESAS, SEAN ESTAS ESCRITAS U ORALES, HASTA DONDE PERMITA LA LEY, MILWAUKEE DESCONOCE CUALQUIER GARANTÍA IMPLÍCITA, INCLUYENDO SIN LIMITACIÓN CUALQUIER GARANTÍA IMPLÍCITA DE COMERCIABILIDAD O IDONEIDAD PARA UN FIN O USO ESPECÍFICO; HASTA EN QUE DICHO DESCONOCIMIENTO NO SEA PERMITIDO POR LA LEY, DICHAS GARANTÍAS IMPLÍCITAS SE LIMITAN A LA DURACIÓN DE LA GARANTÍA EXPRESA CORRESPONDIENTE SEGÚN LO ARRIBA DESCRITO. ALGUNOS ESTADOS NO PERMITEN LIMITACIONES EN LA VIGENCIA DE UNA GARANTÍA IMPLÍCITA, POR LO QUE LA ANTERIOR LIMITACIÓN PODRÍA NO APLICAR A USTED. ESTA GARANTÍA LE CONFIERE DERECHOS JURÍDICOS ESPECÍFICOS Y USTED PODRÍA, ADEMÁS, TENER OTROS DERECHOS QUE VARIAN SEGÚN EL ESTADO.

Esta garantía aplica únicamente a los productos vendidos en EE. UU. y Canadá.

Consulte la pestaña "Búsqueda de centro de servicio" en la sección de "Piezas y servicio" del sitio web de MILWAUKEE en [www.milwaukeeetool.com](http://www.milwaukeeetool.com) o llame al 1.800.SAWDUST (1.800.729.3878) para localizar su centro de servicio más cercano para darle servicio con y sin garantía a una herramienta eléctrica de Milwaukee.

### PÓLIZA DE GARANTÍA - VALIDA SOLO PARA MÉXICO, AMÉRICA CENTRAL Y EL CARIBE

La garantía de TECHTRONIC INDUSTRIES es por 5 años a partir de la fecha original de compra.

Esta tarjeta de garantía cubre cualquier defecto de material y mano de obra en ese Producto.

Para hacer válida esta garantía, presente esta tarjeta de garantía, cerrada/sellada por el distribuidor o la tienda donde compró el producto, al Centro de Servicio Autorizado (ASC). O, si esta tarjeta no se ha cerrado/sellado, presente la prueba original de compra a ASC. Llame 55 4160-3547 para encontrar el ASC más cercano, para servicio, partes, accesorios o componentes.

#### Procedimiento para hacer válida esta garantía

Lleve el producto a ASC, junto con la tarjeta de garantía cerrada/sellada por el distribuidor o la tienda donde compró el producto, y cualquier pieza o componente defectuoso se reemplazará sin costo para usted. Cubriremos todos los costos de flete con relación a este proceso de garantía

#### Excepciones

Esta garantía no tendrá validez en las siguientes situaciones:

- Quando el producto se use de manera distinta a la que indica el manual del usuario final o de instrucciones.
- Quando las condiciones de uso no sean normales
- Quando otras personas no autorizadas por TECHTRONIC INDUSTRIES modifiquen o reparen el producto.

**Nota:** si el juego de cables está dañado, tiene que reemplazarse en un Centro de Servicio Autorizado para evitar riesgos eléctricos.

CENTRO DE SERVICIO Y ATENCIÓN

Llame al 55 4160-3547

IMPORTADO Y COMERCIALIZADO POR  
TECHTRONIC INDUSTRIES, MEXICO, S.A. DE C.V.  
Miguel de Cervantes Saavedra No.301 Piso 5, Torre Norte  
11520 Colonia Ampliación Granada  
Miguel Hidalgo, Ciudad de Mexico, Mexico

Modelo: \_\_\_\_\_

Fecha de Compra: \_\_\_\_\_

Sello del Distribuidor: \_\_\_\_\_

**MILWAUKEE TOOL**  
13135 West Lisbon Road  
Brookfield, WI 53005 USA