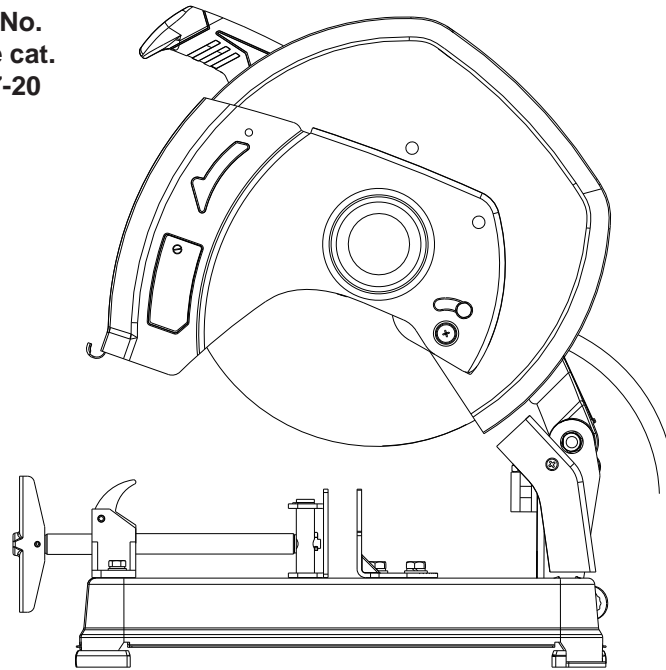




OPERATOR'S MANUAL
MANUEL de L'UTILISATEUR
MANUAL del OPERADOR

Cat. No.
No de cat.
6177-20



**HEAVY-DUTY 14" ABRASIVE CUT-OFF MACHINE
EXTRA ROBUSTE TRONÇONNEUSE 355 mm (14") À DISQUE ABRASIF
SIERRA TRONZADORA ABRASIVA DE 355 mm (14"), HEAVY DUTY**

TO REDUCE THE RISK OF INJURY, USER MUST READ AND UNDERSTAND OPERATOR'S MANUAL.

AFIN DE RÉDUIRE LE RISQUE DE BLESSURES, L'UTILISATEUR DOIT LIRE ET BIEN COMPRENDRE LE MANUEL DE L'UTILISATEUR.

PARA REDUCIR EL RIESGO DE LESIONES, EL USUARIO DEBE LEER Y ENTENDER EL MANUAL DEL OPERADOR.


GENERAL POWER TOOL SAFETY WARNINGS

WARNING READ ALL SAFETY WARNINGS AND ALL INSTRUCTIONS. Failure to follow the warnings and instructions may result in electric shock, fire and/or serious injury. Save all warnings and instructions for future reference.

WORK AREA SAFETY

- **Keep work area clean and well lit.** Cluttered, dark work areas invite accidents.
- **Avoid dangerous environments.** Do not use your power tool in rain, damp or wet locations or in the presence of explosive atmospheres (gaseous fumes, dust or flammable materials). Remove materials or debris that may be ignited by sparks.
- **Keep bystanders away.** Children and bystanders should be kept at a safe distance from the work area to avoid distracting the operator and contacting the tool or extension cord.
- **Protect others in the work area** from debris such as chips and sparks. Provide barriers or shields as needed.
- **Make workshop child proof** with padlocks, master switches, or by removing starter keys.

ELECTRICAL SAFETY

- **Grounded tools must be plugged into an outlet properly installed and grounded in accordance with all codes and ordinances.** Never remove the grounding prong or modify the plug in any way. Do not use any adaptor plugs. Check with a qualified electrician if you are in doubt as to whether the outlet is properly grounded. If the tool should electrically malfunction or break down, grounding provides a low resistance path to carry electricity away from the user.
- **Double insulated tools are equipped with a polarized plug (one blade is wider than the other). This plug will fit in a polarized outlet only one way. If the plug does not fit fully in the outlet, reverse the plug. If it still does not fit, contact a qualified electrician to install a polarized outlet. Do not change the plug in any way.** Double insulation  eliminates the need for the three wire grounded power cord and grounded power supply system.
- **Guard against electric shock.** Prevent body contact with grounded surfaces such as pipes, radiators, ranges and refrigerators. When making blind or plunge cuts, always check the work area for hidden wires or pipes. Hold your tool by insulated nonmetal grasping surfaces. Use a Ground Fault Circuit Interrupter (GFCI) to reduce shock hazards.
- **Do not expose to rain or use in damp locations.**
- **Do not abuse the cord. Never use the cord to carry the tools or pull the plug from an outlet. Keep cord away from heat, oil, sharp edges or moving parts. Replace damaged cords immediately.** Damaged cords increase the risk of electric shock.

PERSONAL SAFETY

- **Know your power tool.** Read this manual carefully to learn your power tool's applications and limitations as well as potential hazards associated with this type of tool.

- **Stay alert, watch what you are doing, and use common sense when operating a power tool. Do not use tool while tired or under the influence of drugs, alcohol, or medication.** A moment of inattention while operating power tools may result in serious personal injury.
- **Dress properly.** Do not wear loose clothing or jewelry. Wear a protective hair covering to contain long hair. These may be caught in moving parts. When working outdoors, wear rubber gloves and insulated non-skid footwear. Keep hands and gloves away from moving parts.
- **Reduce the risk of unintentional starting.** Be sure your tool is turned off before plugging it in. Do not use a tool if the power switch does not turn the tool on and off. Do not carry a plugged-in tool with your finger on the switch.
- **Remove all adjusting keys and wrenches.** Make a habit of checking that adjusting keys, wrenches, etc. are removed from the tool before turning it on.
- **Do not overreach. Maintain control.** Keep proper footing and balance at all times. Maintain a firm grip. Use extra care when using tool on ladders, roofs, scaffolds, etc.
- **Use safety equipment.** Everyone in the work area should wear safety goggles or glasses with side shields complying with current safety standards. Everyday eyeglasses only have impact resistant lenses. They are not safety glasses. Wear hearing protection during extended use and a dust mask for dusty operations. Hard hats, face shields, safety shoes, etc. should be used when specified or necessary. Keep a fire extinguisher nearby.
- **Keep guards in place** and in working order.
- **Never stand on tool.** Serious injury could occur if the tool is tipped or if the cutting tool is unintentionally contacted.
- **Keep hands away from all cutting edges and moving parts.**

POWER TOOL USE AND CARE

- **Secure work.** Use a clamp, vise or other practical means to hold your work securely, freeing both hands to control the tool.
- **Do not force tool.** Your tool will perform best at the rate for which it was designed. Excessive force only causes operator fatigue, increased wear and reduced control.
- **Use the right tool.** Do not use a tool or attachment to do a job for which it is not recommended. For example, do not use a circular saw to cut tree limbs or logs. Do not alter a tool.
- **Unplug tool** when it is not in use, before changing accessories or performing recommended maintenance.
- **Store idle tools.** When not in use, store your tool in a dry, secured place. Keep out of reach of children.
- **Never leave the tool running unattended.** Turn power off. Do not leave the tool until it comes to a complete stop.

- **Check for damaged parts.** Inspect guards and other parts before use. Check for misalignment, binding of moving parts, improper mounting, broken parts and any other conditions that may affect operation. If abnormal noise or vibration occurs, turn the tool off immediately and have the problem corrected before further use. Do not use a damaged tool. Tag damaged tools "DO NOT USE" until repaired. A guard or other damaged part should be properly repaired or replaced by a MILWAUKEE service facility. For all repairs, insist on only identical replacement parts.
- **Use proper accessories.** Consult this manual for recommended accessories. Using improper accessories may be hazardous. Be sure accessories are properly installed and maintained. Do not defeat a guard or other safety device when installing an accessory or attachment.
- **Maintain tools carefully.** Keep handles dry, clean and free from oil and grease. Keep cutting edges sharp and clean. Follow instructions for lubricating and changing accessories. Periodically inspect tool cords and extension cords for damage. Have damaged parts repaired or replaced by a MILWAUKEE service facility.
- **Maintain labels & nameplates.** These carry important information. If unreadable or missing, contact a MILWAUKEE service facility for a free replacement.

SERVICE

- **Tool service must be performed only by qualified repair personnel.** Service or maintenance performed by unqualified personnel may result in a risk of injury.
- **When servicing a tool, use only identical replacement parts, follow instructions in the maintenance section of this manual.** Use of unauthorized parts or failure to follow maintenance instructions may create a risk of shock or injury.

SPECIFIC SAFETY RULES

WARNING To reduce the risk of injury, avoid inhalation of dust generated by grinding and cutting operations. Exposure to dust may cause respiratory ailments. Use approved NIOSH or OSHA respirators, safety glasses or face shields, gloves and protective clothing. Provide adequate ventilation to eliminate dust, or to maintain dust level below the Threshold Limit Value for nuisance dust as classified by OSHA.

- **WARNING:** Some dust created by power sanding, sawing, grinding, drilling, and other construction activities contains chemicals known to cause cancer, birth defects or other reproductive harm. Some examples of these chemicals are:
 - lead from lead-based paint
 - crystalline silica from bricks and cement and other masonry products, and
 - arsenic and chromium from chemically-treated lumber.Your risk from these exposures varies, depending on how often you do this type of work. To reduce your exposure to these chemicals: work in a well

ventilated area, and work with approved safety equipment, such as those dust masks that are specially designed to filter out microscopic particles.

Wheel Instructions

- Use only the edge (not the sides) of the wheel for cutting. Do not allow the wheel to twist or bind.
- Keep hands and body away from the rotating wheel. Do not wear loose clothing when using this tool.
- Store cut-off wheels with care. Do not drop them or subject them to excessive heat, cold or humidity.
- Make sure that all wheel flanges and other mounting hardware are in good condition and are always used properly. Defective or missing parts may cause damage to the wheel. Always use mounting flanges supplied with the tool.
- Cutting with a damaged wheel is very hazardous. After installing a new wheel, leave the tool unplugged and rotate the wheel by hand to see if it is uneven, warped, or cracked. If so, discard the wheel and replace it with a new one. Do not use a wheel that has been dropped; impact may result in breakage.
- Before starting a cut, step back from the tool and make a trial run to confirm that the wheel is in good condition. Trial run periods are:
 - When replacing a cut-off wheel — over 3 minutes.
 - When starting routine work — over 1 minute.
- Never try to remove or clamp the workpiece to the tool while the cut-off wheel is rotating.
- Before installing a cut-off wheel, always inspect it for cracks. Visually check resinoid and rubber-bonded wheels for cracks. Replace cracked wheel immediately.
- Always check maximum operating speed established for wheel against machine speed. Do not exceed the maximum operating speed that is marked on the wheel.
- Do not force a wheel onto the machine or alter the size of the arbor hole. Don't use a wheel that fits the arbor too loosely. If the wheel doesn't fit the machine, get one that does.
- Do not attempt to install saw blades on this tool because it is not designed for this type of blade.
- Do not overtighten wheel nut.
- **Machine Instructions**
 - Start cutting only after the motor has reached full speed.
 - Release switch immediately if the cut-off wheel stops rotating or if the motor sounds like it is straining.
 - Keep flammable and fragile objects away from this tool. Do not allow cut-off sparks to contact the operator's hands, face or feet.
 - Place the tool securely on a flat, level surface.
 - Always use the tool with the proper voltage specified on the tool's nameplate.
 - Never touch a short cut-off piece until it cools.
 - Never attempt to cut material larger than the rated capacity listed in "Specifications".
 - Never stand in line with the wheel while cutting. Always stand to the side.
 - Always keep guards in place.
 - Always start the cut gently. Do not bump or bang a wheel to start a cut.
 - Never make any freehand cuts. Always place the workpiece between the vise and fence when making cuts.

GROUNDING

⚠ WARNING Improperly connecting the grounding wire can result in the risk of electric shock. Check with a qualified electrician if you are in doubt as to whether the outlet is properly grounded. Do not modify the plug provided with the tool. Never remove the grounding prong from the plug. Do not use the tool if the cord or plug is damaged. If damaged, have it repaired by a **MILWAUKEE** service facility before use. If the plug will not fit the outlet, have a proper outlet installed by a qualified electrician.

Grounded Tools: Tools with Three Prong Plugs
Tools marked "Grounding Required" have a three wire cord and three prong grounding plug. The plug must be connected to a properly grounded outlet (See Figure A). If the tool should electrically malfunction or break down, grounding provides a low resistance path to carry electricity away from the user, reducing the risk of electric shock.

The grounding prong in the plug is connected through the green wire inside the cord to the grounding system in the tool. The green wire in the cord must be the only wire connected to the tool's grounding system and must never be attached to an electrically "live" terminal.

Your tool must be plugged into an appropriate outlet, properly installed and grounded in accordance with all codes and ordinances. The plug and outlet should look like those in Figure A.

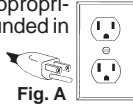


Fig. A

Double Insulated Tools: Tools with Two Prong Plugs

Tools marked "Double Insulated" do not require grounding. They have a special double insulation system which satisfies OSHA requirements and complies with the applicable standards of Underwriters Laboratories, Inc., the Canadian Standard Association and the National Electrical Code. Double Insulated tools may be used in either of the 120 volt outlets shown in Figures B and C.

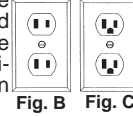


Fig. B

Fig. C

EXTENSION CORDS

Grounded tools require a three wire extension cord. Double insulated tools can use either a two or three wire extension cord. As the distance from the supply outlet increases, you must use a heavier gauge extension cord. Using extension cords with inadequately sized wire causes a serious drop in voltage, resulting in loss of power and possible tool damage. Refer to the table shown to determine the required minimum wire size.

The smaller the gauge number of the wire, the greater the capacity of the cord. For example, a 14 gauge cord can carry a higher current than a 16 gauge cord. When using more than one extension cord to make up the total length, be sure each cord contains at least the minimum wire size required. If you are using one extension cord for more than one tool, add the nameplate amperes and use the sum to determine the required minimum wire size.

Guidelines for Using Extension Cords

- If you are using an extension cord outdoors, be sure it is marked with the suffix "W-A" ("W" in Canada) to indicate that it is acceptable for outdoor use.
- Be sure your extension cord is properly wired and in good electrical condition. Always replace a damaged extension cord or have it repaired by a qualified person before using it.
- Protect your extension cords from sharp objects, excessive heat and damp or wet areas.

Recommended Minimum Wire Gauge for Extension Cords*

Nameplate Amperes	Extension Cord Length				
	25'	50'	75'	100'	150'
0 - 2.0	18	18	18	18	16
2.1 - 3.4	18	18	18	16	14
3.5 - 5.0	18	18	16	14	12
5.1 - 7.0	18	16	14	12	12
7.1 - 12.0	16	14	12	10	
12.1 - 16.0	14	12	10		
16.1 - 20.0	12	10			

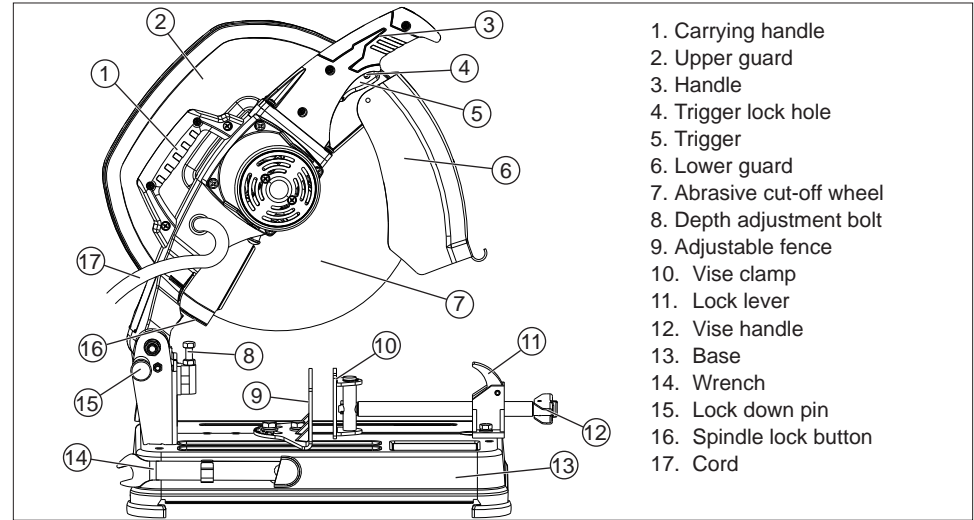
* Based on limiting the line voltage drop to five volts at 150% of the rated amperes.

READ AND SAVE ALL INSTRUCTIONS FOR FUTURE USE.

SPECIFICATIONS

Cat. No.	Tool							Max. Capacities at 90°		
	Volts AC	A	No Load RPM	Wheel Size	Min. Wheel RPM Rating	Wheel Thickness	Arbor Hole Size	O.D. Pipe	Rectangular Stock	Sq. Tubing
6177-20	120	15	3900	14"	4300	3/32"	1"	5"	2-15/16" x 9"	4-5/8" x 4-5/8"

FUNCTIONAL DESCRIPTION



1. Carrying handle
2. Upper guard
3. Handle
4. Trigger lock hole
5. Trigger
6. Lower guard
7. Abrasive cut-off wheel
8. Depth adjustment bolt
9. Adjustable fence
10. Vise clamp
11. Lock lever
12. Vise handle
13. Base
14. Wrench
15. Lock down pin
16. Spindle lock button
17. Cord

SYMBOLOLOGY

	Double Insulated
	Volts Alternating/Direct Current
	Amps
$n_0 \text{ xxx } \text{min.}^{-1}$	No Load Revolutions per Minute (RPM)
	Underwriters Laboratories, Inc. United States and Canada
	Do not use toothed blades.
	Do not expose to rain or use in damp locations.

ASSEMBLY

⚠ WARNING To reduce the risk of injury, always unplug tool before attaching or removing accessories or making adjustments. Use only specifically recommended accessories. Others may be hazardous.

Raising and Lowering the Head

The head must be locked down for transporting and storing the tool.

To **unlock**, press head down and pull out the lock down pin.

To **lock**, press head down and push in the lock down pin.

⚠ WARNING To reduce the risk of injury, use only the proper wheel for this machine. **DO NOT USE ANY TYPE OF SAW BLADE.**

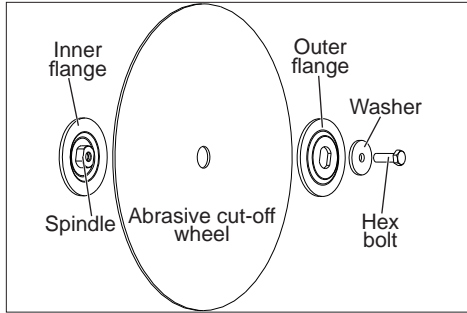
Removing and Installing Cut-Off Wheels

Use only **MILWAUKEE** 14" Abrasive Cut-Off Wheels, 3/32" thick with this tool. Before operating the tool, make sure the wheel is in good condition as described in the "Specific Safety Rules".

To change wheels:

1. Unplug the tool.
2. Raise the head.

- Push up the lower guard to expose the hex bolt. Press in the spindle lock button and use the wrench provided to loosen the hex bolt (counterclockwise).
- Remove the hex bolt, washer, outer flange and cut-off wheel. Do not remove the inner flange.
- Check the inner and outer flanges to be sure they are in good condition. Remove any nicks, burrs, and debris from the mounting hardware, which could cause uneven cutting pressure and result in wheel damage.
- Install the cut-off wheel, outer flange, washer, and hex bolt onto the spindle, as shown.



Raising and Lowering the Head

The head must be locked down for transporting and storing the tool.

To **unlock**, press head down and pull out the lock down pin.

To **lock**, press head down and push in the lock down pin.

Removing and Installing Cut-Off Wheels

Use only **MILWAUKEE** 14" Abrasive Cut-Off Wheels, 3/32" thick with this tool. Before operating the tool, make sure the wheel is in good condition as described in the "Specific Safety Rules".

To change wheels:

- Unplug the tool.
- Raise the head.
- Push up the lower guard to expose the hex bolt. Press in the spindle lock button and use the wrench provided to loosen the hex bolt (counterclockwise).
- Remove the hex bolt, washer, outer flange and cut-off wheel. Do not remove the inner flange.
- Check the inner and outer flanges to be sure they are in good condition. Remove any nicks, burrs, and debris from the mounting hardware, which could cause uneven cutting pressure and result in wheel damage.
- Install the cut-off wheel, outer flange, washer, and hex bolt onto the spindle, as shown.
- Press in the spindle lock button while using the wrench provided to tighten the hex bolt (clockwise).
- Release the lower guard.
- Before starting a cut, step back from the tool and make a trial run to confirm that the wheel is in good condition. Before using a new cut-off wheel, run the tool for at least 3 minutes. Before starting work, run the tool for at least 1 minute.

Adjusting the Depth of Cut

The depth adjustment bolt can be adjusted to change the depth of cut. When adjusted properly, the depth adjustment bolt prevents the cut-off wheel from contacting the surface under the base during cutting. Cut-off wheels wear down as they are used and the depth of cut may need to be increased.

To adjust the depth of cut:

- Unplug the tool.
- Use the wrench provided to loosen the hex nut.
- Adjust the depth adjustment bolt to the desired height.
- Tighten the hex nut.

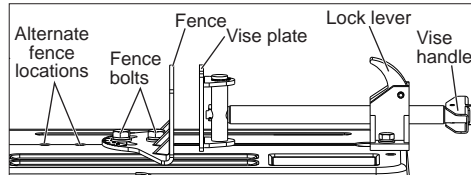
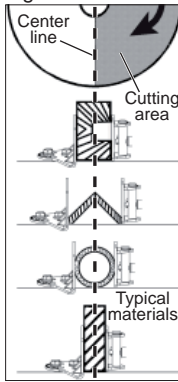
Supporting the Workpiece and Adjusting the Vise and Fence System

The adjustable vise and fence system holds the workpiece in the desired position. The vise plate and fence can be moved backward or forward and can be adjusted to any angle between 90° and 45°.

When adjusting the system, the vise and fence should be positioned so the centerline of the wheel hub is in line with or behind the centerline of the workpiece, toward the rear of the tool. The workpiece should be resting flush with the base of the cut-off machine.

To **adjust the fence**:

- Use the wrench provided to loosen (counterclockwise) the two fence bolts.
- Adjust the position and angle of the fence as desired.
- Securely tighten (clockwise) the two fence bolts.



To **adjust the vise**:

- Pull the lock lever back.
- Pull the vise handle out.
- Place the workpiece flat on the base and against the fence.
- Push down the lock lever.
- Slide in the vise handle to press the vise plate against the workpiece.
- Turn the vise handle clockwise to tighten the vise plate against the workpiece.

OPERATION

WARNING To reduce the risk of injury, always unplug tool before attaching or removing accessories or making adjustments. Use only specifically recommended accessories. Others may be hazardous.

WARNING To reduce the risk of injury, wear safety goggles or glasses with side shields.

Selecting a Workpiece

The **MILWAUKEE** Abrasive Cut-Off Machine is designed to cut steel and concrete. It is not recommended for cutting wood. Do not attempt to install a saw blade on the tool.

Starting and Stopping the Tool

- Plug in the tool.
- To **start** the tool, pull the trigger.
- To **stop** the tool, release the trigger.

Making a Cut

- Unplug the tool.
- Select a cutting angle and position the fence and vise to support the workpiece (see "Supporting the Workpiece and Adjusting the Vise and Fence System").
- Plug in the tool.
- Before starting a cut, step back from the tool and make a trial run to confirm that the wheel is in good condition. Before using a new cut-off wheel, run the tool for at least 3 minutes. Before starting work, run the tool for at least 1 minute.
- Allow the motor to reach full speed. Slowly lower the wheel into the workpiece.

NOTE: Always start the cut gently; do not bang or bump a wheel when starting the cut. For the safest and most efficient cutting, make sure that the cut-off wheel contacts the center of the workpiece.

- When the cut is complete, raise the wheel completely from the workpiece before releasing the trigger and allowing the motor to stop.

Trigger Hole Lock-Off

The trigger hole allows the user to insert a padlock. This prevents the tool from being started unintentionally.

ACCESSORIES

WARNING To reduce the risk of injury, always unplug the tool before attaching or removing accessories. Use only specifically recommended accessories. Others may be hazardous.

For a complete listing of accessories refer to your **MILWAUKEE** Electric Tool catalog or go on-line to www.milwaukeeetool.com. To obtain a catalog, contact your local distributor or a service center.

MAINTENANCE

WARNING To reduce the risk of injury, always unplug your tool before performing any maintenance. Never disassemble the tool or try to do any rewiring on the tool's electrical system. Contact a **MILWAUKEE** service facility for ALL repairs.

Maintaining Tools

Keep your tool in good repair by adopting a regular maintenance program. Before use, examine the general condition of your tool. Inspect guards, switches, tool cord set and extension cord for damage. Check for loose screws, misalignment, binding of moving parts, improper mounting, broken parts and any other condition that may affect its safe operation. If abnormal noise or vibration occurs, turn the tool off immediately and have the problem corrected before further use. Do not use a damaged tool. Tag damaged tools "DO NOT USE" until repaired (see "Repairs"). Under normal conditions, relubrication is not necessary until the motor brushes need to be replaced. After six months to one year, depending on use, return your tool to the nearest **MILWAUKEE** service facility for the following:

- Lubrication
- Brush inspection and replacement
- Mechanical inspection and cleaning (gears, spindles, bearings, housing, etc.)
- Electrical inspection (switch, cord, armature, etc.)
- Testing to assure proper mechanical and electrical operation

WARNING To reduce the risk of injury, electric shock and damage to the tool, never immerse your tool in liquid or allow a liquid to flow inside the tool.

Cleaning

Clean dust and debris from vents. Keep the tool handles clean, dry and free of oil or grease. Use only mild soap and a damp cloth to clean your tool since certain cleaning agents and solvents are harmful to plastics and other insulated parts. Some of these include: gasoline, turpentine, lacquer thinner, paint thinner, chlorinated cleaning solvents, ammonia and household detergents containing ammonia. Never use flammable or combustible solvents around tools.

Repairs

If your tool is damaged, return the entire tool to the nearest service center.

LIMITED WARRANTY - USA AND CANADA

Every MILWAUKEE power tool (including cordless product – tool, battery pack(s) – see separate & distinct CORDLESS BATTERY PACK LIMITED WARRANTY statements & battery charger and Work Lights*) is warranted to the original purchaser only to be free from defects in material and workmanship. Subject to certain exceptions, MILWAUKEE will repair or replace any part on an electric power tool which, after examination, is determined by MILWAUKEE to be defective in material or workmanship for a period of five (5) years* after the date of purchase unless otherwise noted. Return of the power tool to a MILWAUKEE factory Service Center location or MILWAUKEE Authorized Service Station, freight prepaid and insured, is required. A copy of the proof of purchase should be included with the return product. This warranty does not apply to damage that MILWAUKEE determines to be from repairs made or attempted by anyone other than MILWAUKEE authorized personnel, misuse, alterations, abuse, normal wear and tear, lack of maintenance, or accidents.

*The warranty period for, Job Site Radios, M12™ Power Port and Trade Titan™ Industrial Work Carts is one (1) year from the date of purchase. The warranty period for a LED Work Light and LED Upgrade Bulb is a limited LIFETIME warranty to the original purchaser only, if during normal use the LED bulb fails the Work Light or Upgrade Bulb will be replaced free of charge.

*This warranty does not cover Air Nailers & Stapler, Airless Paint Sprayer, Cordless Battery Packs, Gasoline Driven Portable Power Generators, Hand Tools, Hoist – Electric, Lever & Hand Chain, M12™ Heated Jackets, Reconditioned product and Test & Measurement products. There are separate and distinct warranties available for these products.

Warranty Registration is not necessary to obtain the applicable warranty on a MILWAUKEE power tool product. The manufacturing date of the product will be used to determine the warranty period if no proof of purchase is provided at the time warranty service is requested.

ACCEPTANCE OF THE EXCLUSIVE REPAIR AND REPLACEMENT REMEDIES DESCRIBED HEREIN IS A CONDITION OF THE CONTRACT FOR THE PURCHASE OF EVERY MILWAUKEE PRODUCT. IF YOU DO NOT AGREE TO THIS CONDITION, YOU SHOULD NOT PURCHASE THE PRODUCT. IN NO EVENT SHALL MILWAUKEE BE LIABLE FOR ANY INCIDENTAL, SPECIAL, CONSEQUENTIAL OR PUNITIVE DAMAGES, OR FOR ANY COSTS, ATTORNEY FEES, EXPENSES, LOSSES OR DELAYS ALLEGED TO BE AS A CONSEQUENCE OF ANY DAMAGE TO, FAILURE OF, OR DEFECT IN ANY PRODUCT INCLUDING, BUT NOT LIMITED TO, ANY CLAIMS FOR LOSS OF PROFITS. SOME STATES DO NOT ALLOW THE EXCLUSION OR LIMITATION OF INCIDENTAL OR CONSEQUENTIAL DAMAGES, SO THE ABOVE LIMITATION OR EXCLUSION MAY NOT APPLY TO YOU. THIS WARRANTY IS EXCLUSIVE AND IN LIEU OF ALL OTHER EXPRESS WARRANTIES, WRITTEN OR ORAL. TO THE EXTENT PERMITTED BY LAW, MILWAUKEE DISCLAIMS ANY IMPLIED WARRANTIES, INCLUDING WITHOUT LIMITATION ANY IMPLIED WARRANTY OF MERCHANTABILITY OR FITNESS FOR A PARTICULAR USE OR PURPOSE; TO THE EXTENT SUCH DISCLAIMER IS NOT PERMITTED BY LAW, SUCH IMPLIED WARRANTIES ARE LIMITED TO THE DURATION OF THE APPLICABLE EXPRESS WARRANTY AS DESCRIBED ABOVE. SOME STATES DO NOT ALLOW LIMITATIONS ON HOW LONG AN IMPLIED WARRANTY LASTS, SO THE ABOVE LIMITATION MAY NOT APPLY TO YOU. THIS WARRANTY GIVES YOU SPECIFIC LEGAL RIGHTS, AND YOU MAY ALSO HAVE OTHER RIGHTS WHICH VARY FROM STATE TO STATE.

This warranty applies to product sold in the U.S.A. and Canada only.

Please consult the 'Service Center Search' in the Parts & Service section of MILWAUKEE's website www.milwaukeeool.com or call 1.800.SAWDUST (1.800.729.3878) to locate your nearest MILWAUKEE factory Service Center location.

LIMITED WARRANTY - MEXICO, CENTRAL AMERICA AND CARIBBEAN

TECHTRONIC INDUSTRIES' warranty is for 5 year since the original purchase date.

This warranty card covers any defect in material and workmanship on this Power Tool.

To make this warranty valid, present this warranty card, sealed/stamped by the distributor or store where you purchased the product, to the Authorized Service Center (ASC). Or, if this card has not been sealed/stamped, present the original proof of purchase to the ASC.

Call toll-free 1 800 832 1949 to find the nearest ASC, for service, parts, accessories or components.

Procedure to make this warranty valid

Take the product to the ASC, along with the warranty card sealed/stamped by the distributor or store where you purchased the product, and there any faulty piece or component will be replaced without cost for you. We will cover all freight costs relative with this warranty process.

Exceptions

This warranty is not valid in the following situations:

- When the product is used in a different manners from the end-user guide or instruction manual.
 - When the conditions of use are not normal.
 - When the product was modified or repaired by people not authorized by TECHTRONIC INDUSTRIES.
- Note: If cord set is damaged, it should be replaced by an Authorized Service Center to avoid electric risks.

Model: _____

Date of Purchase: _____

Distributor or Store Stamp:

SERVICE AND ATTENTION CENTER
Rafael Buelna No. 1.
Col. Tezozomoc Mexico, Azcapotzalco D.F.
Ph. 01 800 832 1949

IMPORTED AND COMMERCIALIZED BY:
TECHTRONIC INDUSTRIES MEXICO, S.A. DE C.V.
Av. Santa Fe 481 piso 6, Col. Curz Manca.
CP 05349, Cuajimalpa, D.F.

RÈGLES DE SÉCURITÉ GÉNÉRALES

AVERTISSEMENT VOUS DEVEZ LIRE ET COMPRENDRE TOUTES LES INSTRUCTIONS Le non-respect, même partiel, des instructions ci-après entraîne un risque de choc électrique, d'incendie et/ou de blessures graves. **CONSERVEZ CES INSTRUCTIONS**

SÉCURITÉ DU LIEU DE TRAVAIL

- **Conservez votre lieu de travail propre et bien éclairé.** Les endroits sombres et encombrés sont propices aux accidents.
- **Évitez les milieux dangereux.** Ne vous servez pas de votre outil électrique sous la pluie ou dans les endroits mouillés ou humides, les atmosphères propices aux explosions (émanations de gaz, poussière ou substances inflammables). Faites disparaître les matériaux qui risquent d'être enflammés par les étincelles.
- **Éloignez les spectateurs.** Les enfants et les spectateurs devraient être tenus à distance du lieu de travail, afin de ne pas déranger l'utilisateur et être à l'abri de tout contact avec l'outil et le cordon de rallonge.
- **Protégez ceux qui se trouvent sur les lieux** des éclats et des étincelles. Installez des barrières ou des écrans protecteurs si nécessaire.
- **Faites de votre atelier un lieu sécuritaire pour les enfants** on installant des cadenas, un interrupteur principal et en retirant les clés de démarrage.

SÉCURITÉ ÉLECTRIQUE

- **Les outils mis à la terre doivent être branchés dans une prise de courant correctement installée et mise à la terre conformément à tous les codes et règlements pertinents. Ne modifiez jamais la fiche de quelque façon que ce soit, par exemple en enlevant la broche de mise à la terre. N'utilisez pas d'adaptateur de fiche. Si vous n'êtes pas certain que la prise de courant est correctement mise à la terre, adressez-vous à un électricien qualifié.** En cas de défaillance ou de défectuosité électrique de l'outil, une mise à la terre offre un trajet de faible résistance à l'électricité qui autrement risquerait de traverser l'utilisateur.
- **Les outils à double isolation sont équipés d'une fiche polarisée (une des lames est plus large que l'autre), qui ne peut se brancher que d'une seule façon dans une prise polarisée. Si la fiche n'entre pas parfaitement dans la prise, inversez sa position ; si elle n'entre toujours pas, demandez à un électricien qualifié d'installer une prise de courant polarisée. Ne modifiez pas la fiche de l'outil.** La double isolation  élimine le besoin d'un cordon d'alimentation à trois fils avec mise à la terre ainsi que d'une prise de courant mise à la terre.
- **Protégez-vous des chocs électriques.** Évitez tout contact avec les surfaces mises à la terre tels les radiateurs, cuisinières et réfrigérateurs. Lorsque vous enfoncez l'outil à l'aveuglette au travers d'un matériau assurez-vous d'abord qu'il n'y pas de câbles électriques ou de tuyaux. Tenez

l'outil par ses parties isolées non métalliques. Employez un coupe-circuit relié à la masse (GFCI) pour réduire les risques de choc.

- **N'exposez pas l'outil aux intempéries et ne vous en servez pas dans les endroits humides.**
- **Ne maltraitez pas le cordon. Ne transportez pas l'outil par son cordon et ne débranchez pas la fiche en tirant sur le cordon. N'exposez pas le cordon à la chaleur, à des huiles, à des arêtes vives ou à des pièces en mouvement. remplacez immédiatement un cordon endommagé.** Un cordon endommagé augmente le risque de choc électrique.

SÉCURITÉ INDIVIDUELLE

- **Familiarisez-vous avec votre outil électrique.** Lisez attentivement ce manuel pour apprendre les applications, limitations et risques inhérent au maniement de ce genre d'outil.
- **Restez alerte, concentrez-vous sur votre travail et faites preuve de jugement. N'utilisez pas un outil électrique si vous êtes fatigué ou sous l'influence de drogues, d'alcool ou de médicaments.** Un instant d'inattention suffit pour entraîner des blessures graves.
- **Habilitez-vous correctement.** Ne portez ni vêtements amples ni bijoux. Portez un casque protecteur pour contenir les longs cheveux et les empêcher de se prendre dans les pièces en mouvement. Si vous travaillez à l'extérieur, portez des gants de caoutchouc et des chaussures à semelles antidérapantes. Tenez vos mains ou vos gants à l'écart des pièces en mouvement.
- **Réduisez les risques de démarrage accidentel.** Assurez-vous que votre outil est à la position d'arrêt « OFF » avant de le brancher. N'utilisez pas un outil dont l'interrupteur ne fonctionne pas normalement. Ne transportez pas un outil branché en gardant les doigts sur la détente.
- **Retirez les clés de réglage.** Prenez l'habitude de vérifier si les clés de réglage et autres outils sont retirés de l'outil avant de le mettre en marche.
- **Ne dépassez pas les limites, contrôlez l'outil.** Gardez les pieds bien en place et assurez votre équilibre. Tenez l'outil fermement. Soyez très prudent si vous utilisez l'outil dans une échelle, sur un toit, un échafaud, etc.
- **Employez de l'équipement de sécurité.** Toutes les personnes présentes dans l'aire de travail devraient porter des lunettes de protection ou à coques latérales conformes aux normes de sécurité en vigueur. Les lunettes ordinaires peuvent être pourvues de verres résistants, mais elles ne sont pas sécuritaires. Portez des protecteurs d'oreilles pour les tâches prolongées et un masque facial contre la poussière. Un casque rigide, un masque facial, des chaussures de sécurité, etc. devraient

être utilisés lorsque la situation l'exige. Gardez un extincteur d'incendie à portée de la main.

- **Maintenez les gardes en place** et en bon état.
- **Ne vous appuyez jamais sur l'outil.** De graves blessures pourraient résulter du renversement de l'outil ou de son démarrage accidentel.
- **Tenez les mains à l'écart des arêtes tranchantes et des pièces en mouvement.**

UTILISATION ET ENTRETIEN DE L'OUTIL ÉLECTRIQUE

- **Assujettissez l'ouvrage.** Employez une fixation, pince-étai ou autre dispositif approprié pour maintenir solidement l'ouvrage et libérer vos deux mains pour le maniement de l'outil.
- **Ne forcez pas l'outil.** Votre outil fournira un meilleur rendement si vous l'employez comme il doit l'être. Un usage excessif, en plus de fatiguer l'utilisateur, augmentera l'usure de l'outil et rendra son maniement plus difficile.
- **Employez l'outil approprié.** N'utilisez pas un outil ou un accessoire non approprié à la tâche. Par exemple, on ne doit pas employer une scie circulaire pour tailler un arbre ou scier des bûches. N'altérez pas l'outil.
- **Débranchez l'outil** lorsque vous ne vous en servez pas ou avant d'en changer les accessoires ou d'en effectuer l'entretien.
- **Rangez les outils que vous n'utilisez pas** au sec dans un endroit sûr, hors de la portée des enfants.
- **Ne laissez jamais l'outil en marche sans surveillance.** Avant de vous en éloigner, coupez le courant et attendez qu'il soit complètement arrêté.
- **Décéléz les pièces défectueuses.** Avant de vous servir de l'outil, inspectez les gardes et les autres pièces. Vérifiez l'alignement et le jeu des pièces mobiles, les vices de montage, bris de pièces et toute autre condition pouvant nuire au bon fonctionnement de l'outil. Si un bruit ou une vibration insolite survient, arrêtez immédiatement l'outil et faites-le vérifier avant de vous en servir de nouveau. N'utilisez pas un outil défectueux. Fixez-y une étiquette marquée « HORS D'USAGE » jusqu'à ce qu'il soit réparé. Si une garde ou une autre pièce est défectueuse, elle devrait être réparée ou remplacée dans un centre de service *MILWAUKEE* accrédité. Insistez pour obtenir des pièces de rechange identiques.
- **Employez les accessoires appropriés.** Consultez ce manuel pour connaître quels accessoires utiliser. L'emploi d'accessoires autres que ceux qui sont recommandés peut comporter des risques. Assurez-vous que les accessoires sont correctement installés et entretenus. Ne dérangez pas un garde ou autre dispositif de sécurité lorsque vous installez un accessoire.
- **Prenez soin de l'outil.** Gardez les poignées propres, sèches et exemptes d'huile ou de graisse. Maintenez les tranchants propres et vifs. Suivez les instructions de graissage et d'installation des accessoires. Inspectez périodiquement le cordon de l'outil et le cordon de rallonge. Faites réparer ou remplacer les pièces défectueuses à un centre de service *MILWAUKEE* accrédité.

ENTRETIEN

- **Entretenez les étiquettes et marques du fabricant.** Les indications qu'elles contiennent sont précieuses. Si elles deviennent illisibles ou si elles se détachent, faites-les remplacer gratuitement à un centre de service *MILWAUKEE* accrédité.
- **La réparation des outils électriques doit être confiée à un réparateur qualifié.** L'entretien ou la réparation d'un outil électrique par un amateur peut avoir des conséquences graves.
- **Pour la réparation d'un outil, n'employez que des pièces de rechange d'origine. Suivez les directives données à la section « réparation » de ce manuel.** L'emploi de pièces non autorisées ou le non-respect des instructions d'entretien peut créer un risque de choc électrique ou de blessures.

RÈGLES DE SÉCURITÉ SPÉCIFIQUES

AVERTISSEMENT Pour minimiser les risques de blessures, évitez d'inhaler la poussière dégagée par le disque abrasif. L'exposition à la poussière peut causer des maladies respiratoires. Utilisez un masque respiratoire approuvé par NIOSH ou OSHA, des lunettes de protection ou un masque facial, des gants et vêtements protecteurs. Assurez une ventilation adéquate pour évacuer la poussière ou en contenir le niveau sous le seuil admissible d'exposition (SAE) selon la classification OSHA.

AVERTISSEMENT! La poussière dégage par perçage, sciage et autres travaux de construction contient des substances chimiques reconnues comme pouvant causer le cancer, des malformations congénitales ou d'autres troubles de reproduction. Voici quelques exemples de telles substances :

- Le plomb contenu dans la peinture au plomb.
- Le silice cristallin contenu dans la brique, le béton et divers produits de maçonnerie.
- L'arsenic et le chrome servant au traitement chimique du bois.

Les risques associés à l'exposition à ces substances varient, dépendant de la fréquence des travaux. Afin de minimiser l'exposition à ces substances chimiques, assurez-vous de travailler dans un endroit bien aéré et d'utiliser de l'équipement de sécurité tel un masque antipoussière spécifiquement conçu pour la filtration de particules microscopiques.

Instructions relatives aux disques

- Faites la coupe avec le tranchant et non le flanc du disque abrasif. Évitez le gauchissement et le coincement du disque.
- Tenez les mains et le corps à l'écart du disque en mouvement. Ne portez pas de vêtements amples lorsque vous vous servez de cet outil.
- Rangez les disques à tronçonner avec soin. Évitez de les laisser tomber et gardez-les à l'abri de la grande chaleur, du froid ou de l'humidité.

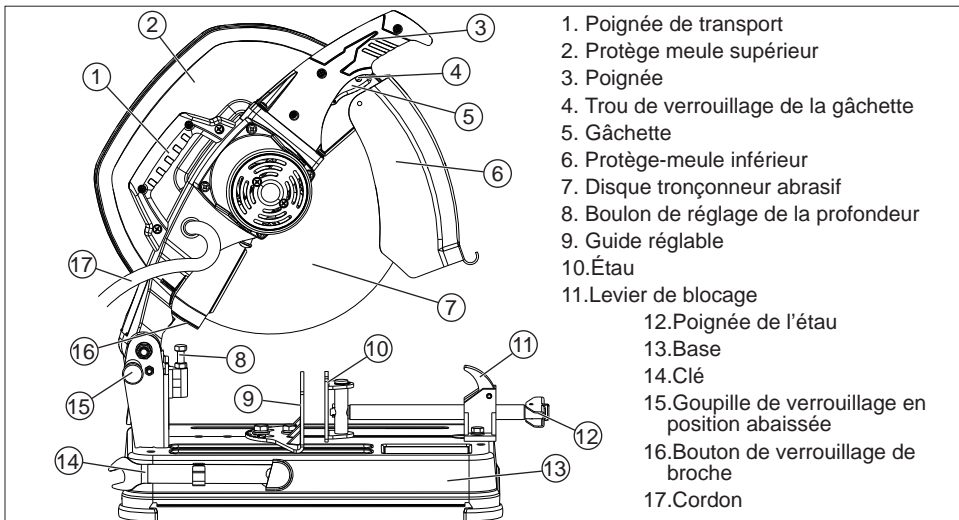
- Assurez-vous que les brides de disques et les autres pièces de montage sont en bonne condition et correctement montés. Une pièce manquante ou une pièce en mauvais état peuvent endommager le disque à tronçonner. Utilisez toujours les brides de montages qui accompagnent l'outil.
- Couper à l'aide d'un disque en mauvais état est très dangereux. Après avoir installé un nouveau disque, laissez l'outil débranché et faites tourner le disque pour déceler tout gauchissement, craquellement ou autre imperfection. Si le disque est en mauvais état, remplacez-le par un disque neuf. N'employez pas un disque qui a subi un choc car il pourrait être fragile et se briser durant la coupe.
- Avant de commencer une coupe, écarter-vous de l'outil et laissez tourner le disque pour vérifier s'il est en bonne condition. La durée de la marche d'essai doit être :
 Au moins 3 minutes lors du remplacement d'un disque à tronçonner.
 Au moins 1 minute avant de commencer un travail routinier.
- N'essayez jamais d'enlever un matériau de l'outil ni de l'y fixer tandis que le disque est en mouvement.
- Avant d'installer un disque sur l'outil, inspectez-le pour y déceler les craquellements. Examinez les disques à composition de plastique ou de caoutchouc pour en déceler les fissures. Avant d'installer un disque sur l'outil, inspectez-le pour y déceler les craquellements. Examinez les disques à composition de plastique ou de caoutchouc pour en déceler les fissures. Remplacez immédiatement tout disque fissuré.
- Comparez la vitesse de rotation maximale pour laquelle le disque est calibré avec la rotation maximale indiquée sur la fiche de l'outil et n'utilisez pas un disque de calibre inférieur.
- Ne forcez pas le disque sur le pivot de l'outil et n'en altérez pas le trou d'arbre. N'employez pas un disque dont le trou d'arbre est trop grand. Si un disque ne s'adapte pas parfaitement à l'outil, changez-le pour un qui s'adapte.

- N'essayez pas d'installer une lame de scie sur cet outil car il n'est pas conçu pour couper du bois.
- Ne serrez pas l'écrou de disque trop à fond.

Instructions relatives à l'outil

- Commencez la coupe seulement après que le moteur a atteint son plein régime.
- Relâchez immédiatement la commande si le disque à tronçonner s'arrête ou si le moteur semble surchargé.
- Gardez les produits inflammables et les objets fragiles à l'écart de l'outil. Ne laissez pas les étincelles venir en contact avec les mains, la figure et les pieds.
- Installez l'outil solidement sur une surface plane et de niveau.
- Branchez l'outil sur une prise dont le voltage est conforme à celui qui est indiqué sur sa fiche signalétique.
- Ne touchez pas aux tronçons tant qu'ils ne sont pas refroidis.
- N'essayez jamais de couper un matériau d'une jauge supérieure à la capacité décrite à la section « Spécifications ».
- Ne vous postez pas dans le sillage du disque, postez-vous sur le côté.
- Laissez toujours les gardes en place.
- Commencez la coupe délicatement. Ne heurtez pas le matériau avec le disque en commençant une coupe.
- Ne faites pas de coupes en tenant le matériau seulement avec les mains, fixez toujours le matériau à couper entre le régle et l'étai.

DESCRIPTION FONCTIONNELLE



1. Poignée de transport
2. Protège meule supérieur
3. Poignée
4. Trou de verrouillage de la gâchette
5. Gâchette
6. Protège-meule inférieur
7. Disque tronçonneur abrasif
8. Boulon de réglage de la profondeur
9. Guide réglable
10. Étau
11. Levier de blocage
12. Poignée de l'étau
13. Base
14. Clé
15. Goupille de verrouillage en position abaissée
16. Bouton de verrouillage de broche
17. Cordon

SPÉCIFICATIONS

Outil						Capacités maximales à 90°				
No de Cat.	Volts CA/CD	A	t/min. à vide	Dim. du disque	Calibre Minimal T/Min. Meule	Épaisseur du disque	Dim. trou d'arbre	Diam. ext. tuyau	Matériau rectangulaire	Tubulure carrée
6177-20	120	15	3 900	355 mm (14")	4 300	2,4 mm (3/32")	25 mm (1")	127 mm (5")	75 mm x 228 mm (2-15/16" x 9")	118 mm x 118 mm (4-5/8" x 4-5/8")

PICTOGRAPHIE

	Double Isolation
	Courant alternatif ou direct
	Ampères
	Tours-minute à vide (RPM)
	Underwriters Laboratories, Inc., États-Unis et Canada
	Ne pas utiliser de lames dentées.
	N'exposez pas à la pluie ou n'utilisez pas dans des endroits humides.

MISE A LA TERRE

⚠ AVERTISSEMENT Si le fil de mise à la terre est incorrectement raccordé, il peut en résulter des risques de choc électrique. Si vous n'êtes pas certain que la prise dont vous vous servez est correctement mise à la terre, faites-la vérifier par un électricien. **N'altérez pas la fiche du cordon de l'outil. N'enlevez pas de la fiche, la dent qui sert à la mise à la terre. N'employez pas l'outil si le cordon ou la fiche sont en mauvais état. Si tel est le cas, faites-les réparer dans un centre-service MILWAUKEE accrédité avant de vous en servir. Si la fiche du cordon ne s'adapte pas à la prise, faites remplacer la prise par un électricien.**

Outils mis à la terre : Outils pourvus d'une fiche de cordon à trois dents

Les outils marqués « Mise à la terre requise » sont pourvus d'un cordon à trois fils dont la fiche a trois dents. La fiche du cordon doit être branchée sur une prise correctement mise à la terre (voir Figure A). De cette façon, si une déficteuosité dans le circuit électrique de l'outil survient, le relais à la terre fournira un conducteur à faible résistance pour décharger le courant et protéger l'utilisateur contre les risques de choc électrique.

La dent de mise à la terre de la fiche est reliée au système de mise à la terre de l'outil via le fil vert du cordon. Le fil vert du cordon doit être le seul fil raccordé à un bout au système de mise à la terre de l'outil et son autre extrémité ne doit jamais être raccordée à une borne sous tension électrique. Votre outil doit être branché sur une prise appropriée, correctement installée et mise à la terre conformément aux codes et ordonnances en vigueur. La fiche du cordon et la prise de courant doivent être semblables à celles de la Figure A.

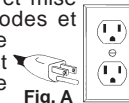


Fig. A

Outils à double isolation : Outils pourvus d'une fiche de cordon à deux dents

Les outils marqués « Double Isolation » n'ont pas besoin d'être raccordés à la terre. Ils sont pourvus d'une double isolation conforme aux exigences de l'OSHA et satisfont aux normes de l'Underwriters Laboratories, Inc., de l'Association canadienne de normalisation (ACNOR) et du « National Electrical Code » (code national de l'électricité). Les outils à double isolation peuvent être branchés sur n'importe laquelle des prises à 120 volt illustrées ci-contre Figure B et C.

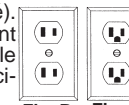


Fig. B

Fig. C

CORDONS DE RALLONGE

Si l'emploi d'un cordon de rallonge est nécessaire, un cordon à trois fils doit être employé pour les outils mis à la terre. Pour les outils à double isolation, on peut employer indifféremment un cordon de rallonge à deux ou trois fils. Plus la longueur du cordon entre l'outil et la prise de courant est grande, plus le calibre du cordon doit être élevé. L'utilisation d'un cordon de rallonge incorrectement calibré entraîne une chute de voltage résultant en une perte de puissance qui risque de détériorer l'outil. Reportez-vous au tableau ci-contre pour déterminer le calibre minimum du cordon.

Moins le calibre du fil est élevé, plus sa conductivité est bonne. Par exemple, un cordon de calibre 14 a une meilleure conductivité qu'un cordon de calibre 16. Lorsque vous utilisez plus d'une rallonge pour couvrir la distance, assurez-vous que chaque cordon possède le calibre minimum requis. Si vous utilisez un seul cordon pour brancher plusieurs outils, additionnez le chiffre d'intensité (ampères) inscrit sur la fiche signalétique de chaque outil pour obtenir le calibre minimal requis pour le cordon.

Directives pour l'emploi des cordons de rallonge

- Si vous utilisez une rallonge à l'extérieur, assurez-vous qu'elle est marquée des sigles « W-A » (« W » au Canada) indiquant qu'elle est adéquate pour usage extérieur.
- Assurez-vous que le cordon de rallonge est correctement câblé et en bonne condition. Remplacez tout cordon de rallonge détérioré ou faites-le remettre en état par une personne compétente avant de vous en servir.
- Tenez votre cordon de rallonge à l'écart des objets rattachants, des sources de grande chaleur et des endroits humides ou mouillés.

Calibres minimaux recommandés pour les cordons de rallonge*

Fiche signalétique Ampères	Longueur du cordon de rallonge (m)					
	7,6	15,2	22,8	30,4	45,7	60,9
0 - 5,0	16	16	16	14	12	12
5,1 - 8,0	16	16	14	12	10	--
8,1 - 12,0	14	14	12	10	--	--
12,1 - 15,0	12	12	10	10	--	--
15,1 - 20,0	10	10	10	--	--	--

* Basé sur sur une chute de voltage limite de 5 volts à 150% de l'intensité moyenne de courant.

LISEZ ATTENTIVEMENT CES INSTRUCTIONS ET CONSERVEZ-LES POUR LES CONSULTER AU BESOIN.

MONTAGE DE L'OUTIL

AVERTISSEMENT Pour minimiser les risques de blessures, débranchez toujours l'outil avant d'y faire des réglages, d'y attacher ou d'en enlever les accessoires. L'usage d'accessoires autres que ceux qui sont spécifiquement recommandés pour cet outil peut comporter des risques.

Soulever et abaisser la tête

La tête doit être verrouillée en position abaissée au moment du transport et de l'entreposage de l'outil.

Pour **déverrouiller** la tête, appuyer vers le bas sur cette dernière et tirer la goupille de verrouillage vers l'extérieur.

Pour **verrouiller** la tête, appuyer vers le bas sur cette dernière et enfoncer la goupille de verrouillage.

AVERTISSEMENT Pour minimiser les risques de blessures, n'utilisez que les disques adéquats convenant à cet outil. N'EMPLOYEZ PAS D'AUTRES TYPES DE LAMES DE SCIE.

Retirer et installer la meule à tronçonner

Utiliser uniquement des meules à tronçonner abrasives de 355 mm (14") de diamètre et 2,4 mm [3/32"] d'épaisseur MILWAUKEE avec cet outil. Avant d'utiliser l'outil, s'assurer que la meule est en bon état, tel qu'il est décrit dans les « Règles de sécurité particulières ».

Pour changer la meule :

- Débrancher l'outil.
- Soulever la tête.
- Pousser le protège-meule inférieur vers le haut afin d'exposer le boulon hexagonal. Enfoncer le bouton de verrouillage de broche et utiliser la clé fournie pour desserrer le boulon hexagonal (tourner dans le sens antihoraire).
- Retirer le boulon hexagonal, la rondelle, la bride extérieure et la meule à tronçonner. Ne pas retirer la bride interne.
- Vérifier les brides internes et externes pour s'assurer qu'elles sont en bon état. Retirer toutes les bavures et les entailles ainsi que tous les débris du matériel de montage, qui peuvent causer une pression inégale au moment de la coupe et endommager la meule.

- Installer la meule à tronçonner, la bride extérieure, la rondelle et le boulon hexagonal sur la broche, tel qu'il est illustré.

- Appuyez sur le bouton du verrou de pivot tandis que vous serrerez (sens horaire) le boulon hex. à l'aide de la clé à fourche de l'outillage.

- Relâcher le protège-meule inférieur.

- Avant de commencer une coupe, écarter-vous de l'outil et laissez tourner le disque pour vérifier

s'il est en bonne condition. Laissez-le tourner au moins trois minutes lorsque vous venez de le remplacer et au moins une minute avant de faire une coupe de routine.

Réglage de la profondeur de coupe

Le boulon de réglage de profondeur peut être ajusté pour modifier la profondeur de coupe. Lorsqu'il est correctement réglé, le boulon de réglage de profondeur empêche le disque à tronçonner d'entrer en contact avec la surface sous la table durant la coupe. Les disques à tronçonner s'usent à l'emploi et la profondeur de coupe peut devoir être augmentée.

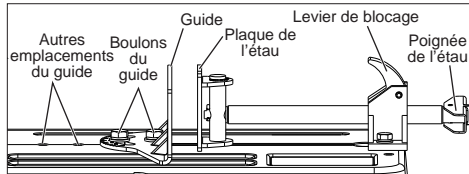
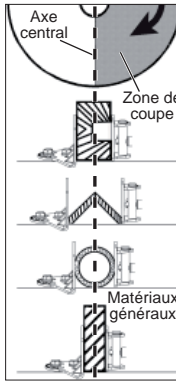
Pour ajuster la profondeur de coupe :

- Débrancher l'outil.
- Utiliser la clé fournie pour desserrer l'écrou hexagonal.
- Ajuster le boulon de réglage de la profondeur à la hauteur désirée.
- Serrer l'écrou hexagonal.

Soutien de la pièce et réglage du système d'étau et de guide

Le système d'étau et de guide réglables maintient la pièce dans la position voulue. La plaque de l'étau et le guide peuvent être avancés ou reculés et être réglés à un angle pouvant varier entre 90° et 45°.

En ajustant le système, l'étau et la clôture devrait être si disposé la ligne centrale du moyeu de roue est dans la ligne avec ou derrière la ligne centrale de la pièce de fabrication, vers l'arrière de l'outil. La pièce doit être placée à égalité avec la base de la machine à tronçonner.



Pour ajuster le guide :

- Utiliser la clé fournie pour desserrer (tourner dans le sens antihoraire) les deux boulons du guide.
- Ajuster la position et l'angle du guide comme désiré.
- Serrer solidement (tourner dans le sens horaire) les deux boulons du guide.

Pour ajuster l'étau :

- Tirer le levier de blocage vers l'arrière.
- Tirer la poignée de l'étau vers l'extérieur.
- Placer la pièce à travailler sur la base et contre le guide.

- Pousser le levier de blocage vers le bas.
- Glisser la poignée de l'étau pour appuyer la plaque de l'étau contre la pièce à travailler.
- Tourner la poignée de l'étau dans le sens horaire pour serrer la plaque de l'étau contre la pièce à travailler.

MANIEMENT

AVERTISSEMENT Pour minimiser les risques de blessures, débranchez toujours l'outil avant d'y faire des réglages, d'y attacher ou d'en enlever les accessoires. L'usage d'accessoires autres que ceux qui sont spécifiquement recommandés pour cet outil peut comporter des risques.

AVERTISSEMENT Pour minimiser les risques de blessures, portez des lunettes à coques latérales.

Choix du matériau

La tronçonneuse à disque abrasif MILWAUKEE est conçue pour couper les tuyaux d'acier et de béton. Elle n'est pas recommandée pour couper le bois. Ne tentez pas d'y installer une lame de scie.

Démarrage et arrêt de l'outil

- Branchez l'outil.
- Pour **mettre** l'outil en marche, appuyez sur la détente.
- Pour **arrêter** l'outil, relâchez la détente.

Pour faire une coupe

- Débrancher l'outil.
- Choisir un angle de coupe et placer le guide et l'étau de manière à soutenir la pièce à travailler (consulter la section intitulée « Soutien de la pièce à travailler et ajustement de l'étau et du système de guide »).
- Brancher l'outil.
- Avant de commencer une opération de coupe, s'éloigner de l'outil et faire tourner la meule pour confirmer qu'elle est en bon état. Avant d'utiliser une nouvelle meule à tronçonner, laisser l'outil en marche pendant au moins 3 minutes. Avant de commencer le travail, faire tourner l'outil pendant au moins 1 minute.

- Laisser le moteur atteindre sa vitesse maximale. Abaisser lentement la meule dans la pièce à travailler.

NOTE : Toujours commencer la coupe lentement. Ne pas cogner la meule pour entamer la coupe. Pour effectuer une coupe de la façon la plus sécuritaire et efficace qui soit, s'assurer que la meule à tronçonner entre en contact avec le centre de la pièce à travailler.

- Une fois la coupe terminée, soulever complètement la meule de la pièce à travailler avant de relâcher la gâchette et de laisser le moteur s'arrêter.

Trou de détente pour verrouiller l'outil

Le trou de détente permet à l'utilisateur de cadenasser l'outil et de prévenir les démarrages accidentels.

MAINTENANCE

AVERTISSEMENT Pour minimiser les risques de blessures, débranchez toujours l'outil avant d'y effectuer des travaux de maintenance. Ne faites pas vous-même le démontage de l'outil ni le rebobinage du système électrique. Consultez un centre de service MILWAUKEE accrédité pour toutes les réparations.

Entretien de l'outil

Gardez l'outil en bon état en adoptant un programme d'entretien ponctuel. Avant de vous en servir, examinez son état en général. Inspectez-en la garde, interrupteur, cordon et cordon de rallonge pour en déceler les défauts. Vérifiez le serrage des vis, l'alignement et le jeu des pièces mobiles, les vices de montage, bris de pièces et toute autre condition pouvant en rendre le fonctionnement dangereux. Si un bruit ou une vibration insolite survient, arrêtez immédiatement l'outil et faites-le vérifier avant de vous en servir de nouveau. N'utilisez pas un outil défectueux. Fixez-y une étiquette marquée « HORS D'USAGE » jusqu'à ce qu'il soit réparé (voir « Réparations »).

Normalement, il ne sera pas nécessaire de lubrifier l'outil avant que le temps ne soit venu de remplacer les balais. Après une période pouvant aller de 6 mois à un an, selon l'usage, retournez votre outil à un centre de service MILWAUKEE accrédité pour obtenir les services suivants:

- Lubrification
- Inspection et remplacement des balais
- Inspection et nettoyage de la mécanique (engrenages, pivots, coussinets, boîtier etc.)
- Inspection électrique (interrupteur, cordon, induit etc)
- Vérification du fonctionnement électromécanique

AVERTISSEMENT Pour minimiser les risques de blessures, choc électrique et dommage à l'outil, n'immergez jamais l'outil et ne laissez pas de liquide s'y infiltrer.

Nettoyage

Débarrassez les événements des débris et de la poussière. Gardez les poignées de l'outil propres, à sec et exemptes d'huile ou de graisse. Le nettoyage de l'outil doit se faire avec un linge humide et un savon doux. Certains nettoyants tels l'essence, la térébenthine, les diluants à laque ou à peinture, les solvants chlorés, l'ammoniaque et les détergents d'usage domestique qui en contiennent pourraient détériorer le plastique et l'isolation des pièces. Ne laissez jamais de solvants inflammables ou combustibles auprès des outils.

Réparations

Si votre outil est endommagé, retournez l'outil entier au centre de maintenance le plus proche.

ACCESOIRES

AVERTISSEMENT Débranchez toujours l'outil avant de changer ou d'enlever les accessoires. L'utilisation d'autres accessoires que ceux qui sont spécifiquement recommandés pour cet outil peut comporter des risques.

Pour une liste complète des accessoires, prière de se reporter au catalogue MILWAUKEE Electric Tool ou visiter le site internet www.milwaukeetool.com. Pour obtenir un catalogue, il suffit de contacter votre distributeur local ou l'un des centres-service.

GARANTIE LIMITÉE - AUX ÉTATS-UNIS ET AU CANADA

Chaque outil électrique MILWAUKEE (y compris les produits sans fil [outils, piles, chargeur de piles, lampe de travail]; consulter les énoncés de la GARANTIE LIMITÉE DES BLOCS-PILES SANS FIL) est garanti à l'acheteur d'origine être exempt de vice de matériau et de fabrication. Sous réserve de certaines exceptions, MILWAUKEE réparera ou remplacera toute pièce d'un outil électrique qui, après examen par MILWAUKEE, s'est avérée être affectée d'un vice de matériau ou de fabrication pendant une période de cinq (5) ans* après la date d'achat, sauf indication contraire. Retourner l'outil électrique, à un centre de réparations en usine MILWAUKEE ou à un poste d'entretien agréé MILWAUKEE, en port prépayé et assuré. Une copie de la preuve d'achat doit être présentée au moment de retourner le produit. Cette garantie ne couvre pas les dommages que MILWAUKEE détermine être causés par des réparations ou des tentatives de réparation par quiconque autre que le personnel agréé par MILWAUKEE, des utilisations incorrectes, des altérations, des utilisations abusives, une usure normale, une carence d'entretien ou des accidents. *La période de garantie applicable pour les radios de chantier, le port d'alimentation M12™ et les chariots de travail industriels Trade Titan™ est d'une durée d'un (1) an à partir de la date d'achat. La période de la garantie couvrant la lampe de travail à DEL et l'ampoule améliorée à DEL est une garantie À VIE limitée à l'acheteur d'origine seulement; si, lors d'une utilisation normale, l'ampoule à DEL présente une défectuosité, la lampe de travail et l'ampoule seront remplacées sans frais.

* Cette garantie ne s'applique pas aux clouuses-agrafeuses pneumatiques, aux pulvérisateurs à peinture sans air, aux blocs piles pour outils sans fil, aux génératrices d'alimentation portatives à essence, aux outils à main, aux monte-charge – électrique, à levier et à chaîne (manuel), aux vestes chauffantes M12™, aux produits résinés, ni aux produits d'essai et de mesure. Il existe des garanties distinctes pour ces produits.

L'enregistrement de la garantie n'est pas nécessaire pour bénéficier de la garantie en vigueur sur un outil électrique MILWAUKEE. La date de fabrication du produit servira à établir la période de garantie si aucune preuve d'achat n'est fournie lorsqu'une demande de service sous garantie est présentée.

L'ACCEPTATION DES RECOURS EXCLUSIFS DE RÉPARATION ET DE REMPLACEMENT DÉCRITS AUX PRÉSENTES EST UNE CONDITION DU CONTRAT D'ACHAT DE TOUT PRODUIT MILWAUKEE. SI VOUS N'ACCEPTÉZ PAS CETTE CONDITION, VOUS NE DEVEZ PAS ACHETER LE PRODUIT. EN AUCUN CAS MILWAUKEE SAURAIT ÊTRE RESPONSABLE DE TOUT DOMMAGE ACCESSOIRE, SPÉCIAL OU INDIRECT, DE DOMMAGES-INTÉRÊTS PUNITIFS OU DE TOUTE DÉPENSE, D'HONORAIRES D'AVOCATS, DE FRAIS, DE PERTE OU DE DÉLAIS ACCESSOIRES À TOUT DOMMAGE, DÉFAILLANCE OU DÉFAUT DE TOUT PRODUIT, Y COMPRIS NOTAMMENT LES PERTES DE PROFIT. CERTAINS ÉTATS ET PROVINCES NE PERMETTANT PAS L'EXCLUSION OU LA LIMITATION DES DOMMAGES DIRECTS OU INDIRECTS, LES RESTRICTIONS CI-DESSUS PEUVENT NE PAS ÊTRE APPLICABLES. CETTE GARANTIE EST EXCLUSIVE ET REMPLACE TOUTE AUTRE GARANTIE EXPRESSE, QU'ELLE SOIT ORALE OU ÉCRITE. DANS LA MESURE PERMISE PAR LA LOI, MILWAUKEE RENONCE À TOUTE GARANTIE IMPLICITE, Y COMPRIS, SANS S'Y LIMITER, TOUTE GARANTIE IMPLICITE DE QUALITÉ MARCHANDE OU D'ADAPTATION À UNE UTILISATION OU À UNE FIN PARTICULIÈRE. DANS LA MESURE OU UNE TELLE STIPULATION D'EXONÉRATION N'EST PAS PERMISE PAR LA LOI, LA DURÉE DE CES GARANTIES IMPLICITES EST LIMITÉE À LA PÉRIODE APPLICABLE DE LA GARANTIE EXPRESSE, TEL QUE DÉCRIT PRÉCÉDEMMENT. CERTAINS ÉTATS ET PROVINCES NE PERMETTANT PAS DE LIMITATION DE DURÉE DES GARANTIES IMPLICITES, LES RESTRICTIONS CI-DESSUS PEUVENT NE PAS ÊTRE APPLICABLES. LA PRÉSENTE CONFÈRE À L'UTILISATEUR DES DROITS LÉGAUX PARTICULIERS: IL BÉNÉFICIE ÉGALEMENT D'AUTRES DROITS QUI VARIENT D'UN ÉTAT À L'AUTRE. Cette garantie s'applique aux produits vendus aux États-Unis et au Canada uniquement.

Veuillez consulter la rubrique Centre SAV MILWAUKEE, dans la section Pièces & Service du site Web de MILWAUKEE, à l'adresse www.milwaukeetool.com, ou composer le 1-800-SAWDUST (1-800-729-3878) afin de trouver le centre de réparations en usine MILWAUKEE le plus près.

GARANTIE LIMITÉE – MEXIQUE, AMÉRIQUE CENTRALE ET CARAÏBES

TECHTRONIC INDUSTRIES' garantit le produit pendant cinq ans à partir de la date d'achat d'origine. Le présent bon de garantie couvre tous les vices de matériau et de fabrication que peut afficher cet outil électrique. Pour assurer la validité de la présente garantie, veuillez présenter le bon de commande, estampillé du distributeur ou du magasin où le produit a été acheté, au centre de réparations agréé. Si le bon de commande n'a pas été estampillé, veuillez fournir la preuve d'achat d'origine au centre de réparations agréé. Pour un entretien, des pièces, des accessoires ou d'autres composants, composer sans frais le 1-800-832-1949 afin d'obtenir les coordonnées du centre de réparations agréé le plus près.

Procédure pour assurer la validité de la garantie

Présenter le produit au centre de réparations agréé, accompagné du bon de commande estampillé du sceaude distributeur ou du magasin où le produit a été acheté. Toute pièce défectueuse ou tout composant défectueux sera remplacé sans frais. Milwaukee assume tous les frais de transport liés à ce processus de garantie.

Exceptions

La garantie ne s'applique pas dans les situations suivantes :

- Si le produit a été utilisé pour une fin autre que celle indiquée dans le guide de l'utilisateur final ou le manuel d'instructions.
- Si les conditions d'utilisations ne sont pas habituelles.
- Si le produit a été modifié ou réparé par une personne non autorisée par TECHTRONIC INDUSTRIES.

Note : Si le cordon électrique est endommagé, il doit être remplacé par un centre de réparations agréé pour éviter les risques d'électrocution.

CENTRE DE RÉPARATIONS ET DE SERVICE
Rafael Buelna No. 1.
Col. Tezozomoc Mexico, Azcapotzalco D.F.
Ph. 01 800 832 1949

IMPORTÉ ET COMMERCIALISÉ PAR :
TECHTRONIC INDUSTRIES MEXICO, S.A. DE C.V.
Av. Santa Fe 481 piso 6, Col. Curz Manca.
CP 05349, Cuajimalpa, D.F.

ADVERTENCIAS DE SEGURIDAD GENERALES

ADVERTENCIA LEA Y ENTIENDA TODAS LAS INSTRUCCIONES
Se debe seguir todas las instrucciones a continuación para evitar una descarga eléctrica, incendio y/o lesiones graves. **GUARDE ESTAS INSTRUCCIONES**

SEGURIDAD EN EL ÁREA DE TRABAJO

- **Mantenga limpia y bien iluminada el área de trabajo.** Las áreas desordenadas y oscuras favorecen los accidentes.
- **Evite ambientes peligrosos.** No utilice ni exponga sus herramientas en la lluvia o en lugares mojados. No utilice su herramienta en atmósferas explosivas (con líquidos, gases o substancias inflamables). Retire del área materiales o residuos que puedan incendiarse con chispas.
- **Mantenga alejadas a las personas.** Mantenga a distancia segura del área de trabajo, tanto a niños como a visitantes. No permita que personas ajenas distraigan al usuario ni toquen su herramienta o sus extensiones eléctricas.
- **Proteja a los demás en el área de trabajo de accidentes con rebabas y chispas eléctricas.** Coloque barreras y escudos según sea necesario.
- **Prepare su taller a prueba de niños** instalando seguros, interruptores maestros o quitando las llaves de encendido de las herramientas.

SEGURIDAD ELÉCTRICA

- **Las herramientas conectadas a tierra deben estar enchufadas en un toma corriente que esté instalado correctamente y conectado a tierra de acuerdo con todos los códigos y ordenanzas vigentes.** Nunca retire la clavija de conexión a tierra o modifique el enchufe de ninguna manera. No use enchufes adaptadores. Consulte a un electricista capacitado si tiene dudas para asegurar que el tomacorriente esté correctamente conectado a tierra. Si las herramientas sufren fallas eléctricas, la conexión a tierra proporciona una trayectoria de baja resistencia para que el usuario no quede expuesto a la electricidad.
- **Las herramientas con aislamiento doble están equipadas con un enchufe polarizado (una clavija es más ancha que la otra). Hay una sola manera de introducir este enchufe en una toma polarizada. Si el enchufe no se ajusta completamente en la toma, dé vuelta el enchufe. Si el problema persiste, póngase en contacto con un electricista calificado para que instale una toma polarizada. No cambie la toma de ninguna manera.** El aislamiento doble  elimina la necesidad de un cable de energía con conexión a tierra con 3 alambres y la de un sistema de suministro de energía con conexión a tierra.
- **Proteja contra descargas eléctricas.** Evite el contacto personal con superficies "a tierra" tales como tuberías, radiadores, estufas y refrigeradores. Cuando vaya a realizar un corte "ciego", asegúrese de revisar el área de trabajo en busca de cables o tuberías. Sujete su herramienta de las superficies aislantes no metálicas. Use un interruptor para conexiones fallidas "a tierra" (GFCI) para reducir el riesgo de una descarga.

- No exponga su herramienta a la lluvia ni la use en sitios mojados o inundados.
- No maltrate el cable. Nunca use el cable para transportar las herramientas ni para sacar el enchufe de la toma eléctrica. Mantenga el cable lejos de calefacción, petróleo, bordes afilados o cualquier parte móvil. Reemplace inmediatamente cualquier cable dañado. Los cables dañados aumentan el riesgo de choque eléctrico.
- **Conozca su herramienta.** Lea al detalle este manual del operario para que conozca las aplicaciones y limitaciones, al igual que los riesgos potenciales que ofrece una herramienta de este tipo.

SEGURIDAD PERSONAL

- **Este alerta. Revise su trabajo y use el sentido común. No opere su herramienta cuando esté cansado, distraído o bajo la influencia de drogas, alcohol o cualquier medicina que cause reducción del control.**
- **Utilice ropa adecuada.** No use ropa suelta o joyería. Use un gorro que recoja el cabello largo y suelto ya que este puede ser atrapado por partes móviles. Cuando trabaje en el exterior use guantes de hule y zapatillas aislantes. Mantenga las manos y los guantes lejos de partes móviles.
- **Evite arranques accidentales.** Antes de enchufar la herramienta asegúrese de que se encuentra apagada. No utilice la herramienta si tiene el interruptor dañado y éste no enciende ni apaga la herramienta correctamente. No cargue ni transporte una herramienta conectada, con el dedo colocado en el interruptor.
- **Retire todas las llaves y calibradores.** Hágame el hábito de verificar que todas las llaves, calibradores, etc. hayan sido removidas de la herramienta antes de operarla.
- **No se force, mantenga el control.** Mantenga siempre una postura y un balance adecuado. Mantenga bien sujeta su herramienta. Extreme sus precauciones cuando use herramientas en escaleras, techos, áticos, andamios, etc.
- **Utilice equipo de seguridad.** Todas las personas que se encuentren en el área de trabajo **deberán utilizar anteojos de seguridad o anteojos con protectores laterales que cumplan con las normas de seguridad en vigencia.** Los anteojos normales tienen lentes que son sólo resistentes al impacto pero no son, en modo alguno, lentes de seguridad. Cuando permanezca en el área de trabajo durante periodos prolongados utilice protectores para los oídos. Use también una máscara contra polvo al realizar operaciones donde predominen esas condiciones. Siempre que así se especifique o se exija deberán utilizarse cascos protectores, máscaras protectoras, zapatos de seguridad, etc. Mantenga un extintor de incendios siempre a la mano.
- **Mantenga las guardas en su lugar y en condiciones de operación.**

- **No se coloque sobre la herramienta.** Pueden ocurrir serios accidentes si se golpea accidentalmente la herramienta o si se hace contacto no intencional con alguna parte cortante de la misma.
- **Mantenga las manos retiradas de orillas cortantes y partes en movimiento.**

USO Y CUIDADO DE LAS HERRAMIENTAS ELÉCTRICAS

- **Asegure el trabajo.** Use pinzas, sujetadores u otros medios prácticos para asegurar el trabajo. De esta manera tendrá libres ambas manos para operar y controlar la herramienta.
- **No force su herramienta.** Desarrollará su trabajo mejor y más seguramente si la opera dentro del rango para el que está diseñada. Forzándola solamente causará fatiga al operario, mayor desgaste y menor control.
- **Utilice la herramienta adecuada.** No utilice una herramienta o accesorio para hacer trabajos para los que no está diseñada ni recomendada. Como por ejemplo, usar una sierra circular para cortar troncos de árbol. No altere la herramienta.
- **Desconecte la herramienta** cuando no se esté usando, cuando le cambie algún accesorio o le esté dando algún tipo de mantenimiento recomendado.
- **Proteja su herramienta cuando no la use.** Cuando no la utilice, manténgala guardada en un lugar seco, alto y cerrado, lejos del alcance de los niños.
- **Nunca deje sola una herramienta que este operando.** Desconéctela siempre. No se separe de la herramienta hasta que esta se haya detenido por completo.
- **Busque partes dañadas.** Revise las guardas y otras partes antes de usar la herramienta. Busque partes móviles que estén dobladas, mal alineadas, mal montadas, rotas o que presenten cualquier otra condición que pueda afectar la operación. Si se detecta algún ruido o vibración anormal, apague de inmediato la herramienta y solucione el problema antes de volverla a usar. No use una herramienta dañada. Coloque una etiqueta indicando "NO DEBE USARSE", hasta que sea reparada. Las guardas o cualquier otra parte dañada deberá ser adecuadamente reparada o reemplazada por un Centro de Servicio MILWAUKEE. En todas las reparaciones insista en que se coloquen partes idénticas y originales.
- **Utilice los accesorios correctos.** Consulte este manual para saber cuáles son los accesorios correctos; puede ser peligroso utilizar accesorios incorrectos. Asegúrese de que los accesorios se encuentran bien instalados y han recibido el mantenimiento adecuado. No olvide poner los protectores o dispositivos de seguridad al instalar un accesorio.
- **Mantenga su herramienta con cuidado.** Mantenga los mangos secos, limpios y sin aceite ni grasa. Mantenga los filos de corte afilados y limpios. Siga siempre las instrucciones para lubricación y cambio de accesorios. Revise periódicamente el cable y las extensiones en busca de daños. Las partes dañadas deberán ser reparadas o cambiadas por un Centro de Servicio Autorizado MILWAUKEE.
- **Mantenga las etiquetas y la placa de especificaciones.** Estas incluyen información muy

importante. Si se llegan a dañar y no son legibles, contacte un Centro de Servicio MILWAUKEE para que las cambien sin costo.

MANTENIMIENTO

- **El servicio de mantenimiento debe ser realizado solamente por personal técnico debidamente capacitado.** El servicio o mantenimiento realizado por personal no calificado puede aumentar el riesgo de lesiones.
- **Cuando realice el servicio de mantenimiento, utilice solamente repuestos idénticos. siga las instrucciones en la sección de mantenimiento de este manual.** El uso de partes no autorizadas o el incumplimiento de las instrucciones de mantenimiento puede aumentar el riesgo de descarga eléctrica o lesiones.

REGLAS ESPECIFICAS DE SEGURIDAD

ADVERTENCIA Para reducir el riesgo de lesión, evite inhalar el polvo generado por la abrasión y las operaciones de corte. El exponerse a este tipo de polvo puede causar enfermedades respiratorias. Use respiradores aprobados por NIOSH o OSHA. Use también anteojos de seguridad y caretas de protección, al igual que guantes y ropa de seguridad. Logre una ventilación adecuada con el objeto de eliminar el polvo o para mantenerlo debajo del límite de seguridad recomendado por OSHA.

ADVERTENCIA Algunas partículas de polvo resultantes del lijado mecánico, aserrado, esmerilado, taladrado y otras actividades relacionadas a la construcción, contienen sustancias químicas que se saben ocasionan cáncer, defectos congénitos u otros daños al aparato reproductivo. A continuación se citan algunos ejemplos de tales sustancias químicas:

- plomo proveniente de pinturas con base de plomo
- sílice cristalino proveniente de ladrillos, cemento y otros productos de albañilería y
- arsénico y cromo provenientes de madera químicamente tratada.

El riesgo que usted sufre debido a la exposición varía dependiendo de la frecuencia con la que usted realiza estas tareas. Para reducir la exposición a estas sustancias químicas: trabaje en un área bien ventilada, y utilice equipo de seguridad aprobado como, por ejemplo, máscaras contra el polvo que hayan sido específicamente diseñadas para filtrar partículas microscópicas.

Instrucciones para el disco abrasivo

- Para cortar, use solo las orillas (no los lados) del disco. No permita que el disco se doble o deforme.
- Mantenga el cuerpo y las manos lejos del disco giratorio. No use ropas sueltas cuando use esta herramienta.
- Almacene con cuidado los discos abrasivos. No los deje caer o los exponga a un calor, frío o humedad excesivos.
- Asegúrese que todas las rondanas del disco así como los demás implementos de montaje están en buenas condiciones y se usan siempre en forma

adecuada. El uso de partes defectuosas, o si hay partes faltantes, pueden causar daño al disco abrasivo. Use siempre las rondanas de montaje que se suministran con la herramienta.

- Es muy peligroso cortar con un disco dañado. Luego de instalar un nuevo disco, deje la herramienta sin conectar y gire el disco con la mano para cerciorarse que no está disperejo, roto o dañado. Si lo está, deséchelo y reemplácelo con uno nuevo. No use un disco que se haya caído ya que el impacto puede haberlo roto.
- Antes de iniciar un corte, aléjese de la herramienta al tiempo que la acciona, con el objeto de verificar que el disco está en buenas condiciones. Los tiempos para una verificación son: Cuando cambie un disco abrasivo—no menos de 3 minutos. Cuando inicia un trabajo rutinario—un poco mas de un minuto.
- Nunca intente retirar el material o asegurarlo a la sierra mientras el disco está girando.
- Antes de instalar un disco, inspecciónelo para ver si tiene fracturas. Verifique visualmente las uniones de resinas y de hule para ver si no están rotas. Reemplace de inmediato todo disco agrietado.
- Verifique siempre la máxima velocidad de operación establecida para el disco y compárela contra la de la herramienta. No exceda la velocidad máxima de operación marcada en el disco.
- No force el disco dentro de la herramienta ni le altere el tamaño de la entrada del mismo. No use un disco que entre en la flecha con mucha soltura.

Si el disco no se ajusta a la herramienta, consiga uno que lo haga.

- No intente colocar un disco de corte de sierra en esta herramienta ya que no está diseñada para cortar madera.
- No apriete excesivamente la tuerca del disco.

Instrucciones de la herramienta

- Inicie el corte una vez que la herramienta haya alcanzado su máxima velocidad.
- Suelte el interruptor de inmediato en caso que el disco abrasivo de corte se detenga o el motor suene como si se estuviera forzando.
- Mantenga alejados de la herramienta los objetos inflamables o frágiles. No permita que las chispas lleguen a tener contacto con las manos del operario.
- Coloque la sierra en forma segura, en una superficie plana y nivelada.
- Use siempre la herramienta con el voltaje adecuado indicado en la placa de especificaciones.
- No toque nunca un pedazo de material cortado hasta que este se enfríe.
- Nunca intente cortar material de mayores dimensiones a las indicadas en la capacidad nominal, en la sección «Especificaciones».
- Nunca se coloque en línea con el disco cuando este esté cortando. Colóquese siempre al lado de este.
- Mantenga siempre las guardas en su lugar.
- Inicie siempre el corte en forma delicada. No lo golpee o presione contra el material al iniciar el corte.
- No realice nunca cortes con las manos libres. Al realizar cortes, coloque siempre el material a cortar entre la pinza sujetadora y el tope de la herramienta.

TIERRA

ADVERTENCIA Puede haber riesgo de descarga eléctrica si se conecta el cable de conexión de puesta a tierra incorrectamente. Consulte con un electricista certificado si tiene dudas respecto a la conexión de puesta a tierra del tomacorriente. No modifique el enchufe que se proporciona con la herramienta. Nunca retire la clavija de conexión de puesta a tierra del enchufe. No use la herramienta si el cable o el enchufe está dañado. Si está dañado antes de usarlo, llévelo a un centro de servicio MILWAUKEE para que lo reparen. Si el enchufe no se acopla al tomacorriente, haga que un electricista certificado instale un toma-corriente adecuado.

Herramientas con conexión a tierra:

Herramientas con enchufes de tres clavijas

Las herramientas marcadas con la frase "Se requiere conexión de puesta a tierra" tienen un cable de tres hilo y enchufes de conexión de puesta a tierra de tres clavijas. El enchufe debe conectarse a un tomacorriente debidamente conectado a tierra (véase la Figura A). Si la herramienta se averiara o no funcionara correctamente, la conexión de puesta a tierra proporciona un trayecto de baja resistencia para desviar la corriente eléctrica de la trayectoria del usuario, reduciendo de este modo el riesgo de descarga eléctrica.

La clavija de conexión de puesta a tierra en el enchufe está conectada al sistema de conexión de puesta a tierra de la herramienta a través del hilo verde dentro del cable. El hilo verde debe ser el único hilo conectado al sistema de conexión de puesta a tierra de la herramienta y nunca se debe unir a una terminal energizada.

Su herramienta debe estar enchufada en un tomacorriente apropiado, correctamente instalado y conectado a tierra según todos los códigos y reglamentos. El enchufe y el tomacorriente deben asemejarse a los de la Figura A.



Fig. A

Herramientas con doble aislamiento: Herramientas con clavijas de dos patas

Las herramientas marcadas con "Doble aislamiento" no requieren conectarse "a tierra". Estas herramientas tienen un sistema aislante que satisface los estándares de OSHA y llena los estándares aplicables de UL (Underwriters Laboratories), de la Asociación Canadiense de Estándares (CSA) y el Código Nacional de Electricidad. Las herramientas con doble aislamiento pueden ser usadas en cualquiera de los toma corriente de 120 Volt mostrados en las Figuras B y C.

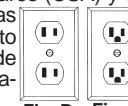
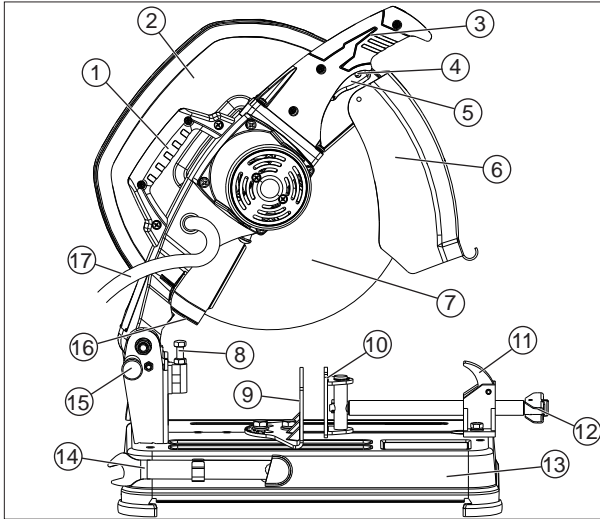


Fig. B

Fig. C

DESCRIPCION FUNCIONAL



1. Mango de acarreo
2. Guarda superior
3. Mango
4. Agujero de traba de gatillo
5. Gatillo
6. Guarda inferior
7. Rueda de corte abrasivo
8. Perno de ajuste de profundidad
9. Guía ajustable
10. Prensa de fijación
11. Palanca de fijación
12. Mango de fijación
13. Base
14. Llave
15. Clavija de traba
16. Botón de bloqueo del vástago
17. Cable

EXTENSIONES ELECTRICAS

Las herramientas que deben conectarse a tierra cuentan con clavijas de tres patas y requieren que las extensiones que se utilicen con ellas sean también de tres cables. Las herramientas con doble aislamiento y clavijas de dos patas pueden utilizarse indistintamente con extensiones de dos a tres cables. El calibre de la extensión depende de la distancia que exista entre la toma de la corriente y el sitio donde se utilice la herramienta. El uso de extensiones inadecuadas puede causar serias caídas en el voltaje, resultando en pérdida de potencia y posible daño a la herramienta. La tabla que aquí se ilustra sirve de guía para la adecuada selección de la extensión. Mientras menor sea el número del calibre del cable, mayor será la capacidad del mismo. Por ejemplo, un cable calibre 14 puede transportar una corriente mayor que un cable calibre 16. Cuando use más de una extensión para lograr el largo deseado, asegúrese que cada una tenga al menos, el mínimo tamaño de cable requerido. Si está usando un cable de extensión para más de una herramienta, sume los amperes de las varias placas y use la suma para determinar el tamaño mínimo del cable de extensión.

Guías para el uso de cables de extensión

- Si está usando un cable de extensión en sitios al aire libre, asegúrese que está marcado con el sufijo "W-A" ("W" en Canadá) el cual indica que puede ser usado al aire libre.
- Asegúrese que su cable de extensión está correctamente cableado y en buenas condiciones eléctricas. Cambie siempre una extensión dañada o hágala reparar por una persona calificada antes de volver a usarla.
- Proteja su extensión eléctrica de objetos cortantes, calor excesivo o áreas mojadas.

Calibre mínimo recomendado para cables de extensiones eléctricas*

Amperios (En la placa)	Largo de cable de Extensión en (m)					
	7,6	15,2	22,8	30,4	45,7	60,9
0 - 5,0	16	16	16	14	12	12
5,1 - 8,0	16	16	14	12	10	--
8,1 - 12,0	14	14	12	10	--	--
12,1 - 15,0	12	12	10	10	--	--
15,1 - 20,0	10	10	10	--	--	--

* Basado en limitar la caída en el voltaje a 5 volts al 150% de los amperios.

LEA Y GUARDE TODAS LAS INSTRUCCIONES PARA FUTURAS REFERENCIAS.

SIMBOLOGÍA

	Con doble aislamiento
	Volts corriente alterna / directa
	Amperios
	No de revoluciones de carga por minuto (RPM)
	Underwriters Laboratories, Inc., Estados Unidos y Canadá
	Ne pas utiliser de lames dentées.
	N'exposez pas à la pluie ou n'utilisez pas dans des endroits humides.

ESPECIFICACIONES

Cat. No.	Volts ca/cd	Amperios	rpm	Tamaño del Disco	Minimas rpm del Disco	Grosor del Disco	Entrada de Flecha	Capacidades máximas a 90°		
								Diámetro exterior del tubo	Material rectangular	Tubos cuadrados
6177-20	120	15	3 900	355 mm (14")	4 300	2,4 mm (3/32")	25 mm (1")	127 mm (5")	75 mm x 228 mm (2-15/16" x 9")	118 mm x 118 mm (4-5/8" x 4-5/8")

ENSAMBLAJE DE LA HERRAMIENTA

⚠ ADVERTENCIA Para reducir el riesgo de una lesión, desconecte siempre la herramienta antes de fijar o retirar accesorios, o antes de efectuar ajustes. Utilice sólo los accesorios específicamente recomendados. El uso de otros accesorios puede ser peligroso.

Cómo elevar y bajar la punta

La punta debe estar trabada en la posición baja para transportar y almacenar la herramienta. Para **destrabarla**, presione la punta hacia abajo y tire de la clavija de traba. Para **trabarla**, presione la punta hacia abajo y empuje la clavija de traba.

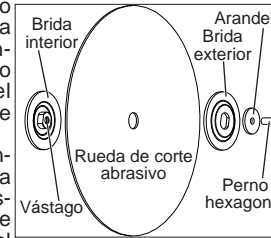
⚠ ADVERTENCIA Para reducir el riesgo de una lesión, use únicamente el disco adecuado fabricado para esta herramienta. **NO USE NINGUN TIPO DE DISCO PARA SIERRA CIRCULAR.**

Cómo quitar e instalar discos de corte

Con esta herramienta use solamente discos de corte abrasivo **MILWAUKEE** de 355 mm (14") y 2,4 mm (3/32") de ancho. Antes de encender la herramienta, asegúrese de que el disco esté en buen estado, como se describe en las "Reglas de seguridad específicas".

Para cambiar los discos:

1. Desenchufe la herramienta.
2. Levante la punta.
3. Eleve la guía inferior para descubrir el perno hexagonal. Presione el botón de bloqueo y use la llave que se proporciona para aflojar el perno hexagonal (hacia la izquierda).
4. Retire el perno hexagonal, la arandela, la brida exterior y el disco de trocear. No quite la brida interior.
5. Controle las bridas interior y exterior para asegurarse de que estén en perfectas condiciones. Retire todas las ranuras, rebabas y residuos de la tornillería de montaje, ya que pueden ocasionar una presión de corte irregular y dañar el disco.
6. Instale el disco de corte, la brida exterior, la arandela y el perno hexagonal en el vástago, como se muestra.
7. Presione el botón seguro que trava la flecha y, al mismo tiempo, utilice la llave hexagonal



suministrada a fin de apretar el perno hexagonal (gírelo en la dirección de las manecillas del reloj).
8. Suelte la palanca de la guarda inferior.
9. Antes de iniciar un corte, aléjese de la herramienta y enciéndala para confirmar que el disco abrasivo está en buenas condiciones. Cuando reemplace un disco abrasivo, déjelo girar por 3 minutos. Cuando vaya a iniciar un trabajo rutinario, accione la herramienta por un minuto.

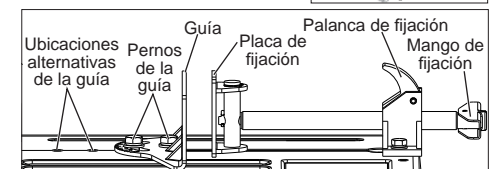
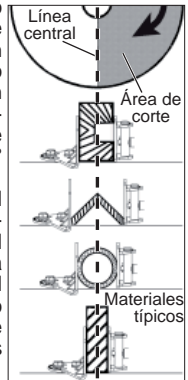
Ajustando la profundidad de corte

El perno de ajuste de profundidad puede ajustarse a fin de cambiar la profundidad del corte. Al ajustarlo correctamente, el perno de ajuste de profundidad evita que el disco de corte entre en contacto con la superficie debajo de la base, al momento de realizar el corte. Los discos de corte se desgastan conforme se utilizan y, por tanto, quizás sea necesario aumentar la profundidad del corte. Para ajustar la profundidad de corte:

1. Desenchufe la herramienta.
2. Use la llave que se proporciona para aflojar la tuerca hexagonal.
3. Coloque el perno de ajuste de profundidad a la altura deseada.
4. Ajuste la tuerca hexagonal.

Cómo apoyar la pieza de trabajo y ajustar el sistema de tornillo de banco y guía

El sistema de tornillo de banco y guía mantiene la pieza de trabajo sujeta en la posición deseada. La placa del tornillo de banco y la guía pueden moverse hacia delante y hacia atrás, así como ajustarse a cualquier ángulo entre 90° y 45°.
Cuando ajustar el sistema, el vicio y la cerca se deben posicionar así que la línea central del eje de la rueda esté a la par de o atrás la línea central del workpiece, hacia el trasero del instrumento. La pieza de trabajo debe descansar al ras con la base de la tronzoadora.



Para ajustar la guía:

1. Use la llave que se proporciona para aflojar (hacia la izquierda) los dos pernos de la guía.
2. Ajuste la posición y el ángulo de la guía según desee.
3. Ajuste firmemente (hacia la derecha) los dos pernos de la guía.

Para ajustar la prensa de fijación:

1. Coloque la palanca de fijación hacia atrás.
2. Tire del mango de fijación.
3. Coloque la parte plana de la pieza de trabajo sobre la base y contra la guía.
4. Presione la palanca de fijación.
5. Deslice el mango de fijación para presionar la placa de fijación contra la pieza de trabajo.
6. Gire el mango de fijación hacia la derecha para ajustar la placa de fijación contra la pieza de trabajo.

OPERACION

ADVERTENCIA Para reducir el riesgo de una lesión, desconecte siempre la herramienta antes de fijar o retirar accesorios, o antes de efectuar ajustes. Utilice sólo los accesorios específicamente recomendados. El uso de otros accesorios puede ser peligroso.

ADVERTENCIA Para reducir el riesgo de una lesión, use siempre lentes de seguridad o anteojos con protectores laterales.

Seleccionando el material a cortar

La Dierra Tronzadora *MILWAUKEE* está diseñada para cortar tubos o ducots de acero y de concreto. No se recomienda para corar madera. No intente instalarle un disco de corte para sierra circular.

Encender y detener

1. Enchufe la herramienta.
2. Para **accionarlo** presione el gatillo.
3. Para **detener** la unidad, suelte el gatillo.

Realizando un corte

1. Desenchufe la herramienta.
2. Seleccione un ángulo de corte y coloque la guía y la prensa de fijación para sostener la pieza de trabajo (consulte "Sostener la pieza de trabajo y ajustar la prensa de fijación y el sistema de la guía").
3. Enchufe la herramienta.
4. Antes de comenzar un corte, aléjese de la herramienta y haga una prueba para verificar que el disco esté en buenas condiciones. Antes de usar un disco de corte nuevo, encienda la herramienta durante 3 minutos como mínimo. Encienda la herramienta, como mínimo, 1 minuto antes de empezar a trabajar.
5. Deje que el motor alcance la velocidad máxima. Lentamente baje el disco hacia la pieza de trabajo. NOTA: Siempre comience el corte suavemente; no golpee el disco cuando empiece a cortar. Para lograr el corte más eficiente y seguro, asegúrese de que el disco de corte toque el centro de la pieza de trabajo.
6. Cuando el corte esté finalizado, levante completamente el disco de la pieza de trabajo antes de soltar el gatillo, lo que detendrá el motor.

Botón-seguro y orificio del gatillo

El orificio del gatillo permite al usuario insertar un candado. Esto evita que la herramienta sea puesta en funcionamiento por accidente.

MANTENIMIENTO

ADVERTENCIA Para reducir el riesgo de lesiones, desconecte siempre la herramienta antes de darle cualquier mantenimiento. Nunca desarme la herramienta ni trate de hacer modificaciones en el sistema eléctrico de la misma. Acuda siempre a un Centro de Servicio *MILWAUKEE* para TODAS las reparaciones.

Mantenimiento de las herramientas

Adopte un programa regular de mantenimiento y mantenga su herramienta en buenas condiciones. Antes de usarla, examine las condiciones generales de la misma. Inspeccione guardas, interruptores, el cable de la herramienta y el cable de extensión. Busque tornillos sueltos o flojos, defectos de alineación y dobleces en partes móviles, así como montajes inadecuados, partes rotas y cualquier otra condición que pueda afectar una operación segura. Si detecta ruidos o vibraciones anormales, apague la herramienta de inmediato y corrija el problema antes de volver a usarla. No utilice una herramienta dañada. Colóquela una etiqueta que diga "NO DEBE USARSE" hasta que sea reparada (vea "Reparaciones").

Bajo condiciones normales, no se requiere lubricación hasta que haya que cambiar los carbones. Después de 6 meses a un año, dependiendo del uso dado, envíe su herramienta al Centro de Servicio *MILWAUKEE* más cercano para que le hagan:

- Lubricación
- Inspección y cambio de carbones
- Inspección mecánica y limpieza (engranes, flechas, baleros, carcarza, etc.)
- Inspección eléctrica (interruptor, cable, armadura, etc)
- Probarla para asegurar una operación mecánica y eléctrica adecuada.

ADVERTENCIA Para reducir el riesgo de lesiones, descarga eléctrica o daño a la herramienta, nunca la sumerja en líquidos ni permita que estos fluyan dentro de la misma.

Limpieza

Limpie el polvo y suciedad de las ventilas. Mantenga las empuñaduras de la herramienta limpias, secas y libres de aceite y grasa. Use sólo jabón neutro y un trapo húmedo para limpiar su herramienta ya que algunas substancias y disolventes limpiadores pueden ocasionar daños a materiales plásticos y partes aislantes. Algunos de estos incluyen: gasolina, trementina, diluyente para barniz, diluyente para pintura, disolventes limpiadores clorados, amoníaco, y detergentes caseros que contengan amoníaco.

Reparaciones

Si su instrumento se daña, vuelva el instrumento entero al más cercano centro de reparaciones.

ACCESORIOS

ADVERTENCIA Para reducir el riesgo de lesiones, siempre desconecte la herramienta antes de cambiar o retirar accesorios. Utilice únicamente accesorios específicamente recomendados para esta herramienta. El uso de accesorios no recomendados podría resultar peligroso.

Para una lista completa de accesorios, refiérase a su catálogo *MILWAUKEE* Electric Tool o visite nuestro sitio en Internet: www.milwaukeeetool.com. Para obtener un catálogo, contacte su distribuidor local o uno de los centros de servicio.

GARANTÍA LIMITADA - E.U.A. Y CANADÁ

Se garantiza al comprador original que ninguna de las herramientas eléctricas *MILWAUKEE* (incluido el producto inalámbrico, la herramienta, las baterías, el cargador y las lámparas de trabajo [Internas Inalámbricas]) presentan defectos en material ni en mano de obra. En un plazo de cinco (5) años* a partir de la fecha de compra y sujeto a ciertas excepciones, *MILWAUKEE* reparará o reemplazará cualquier parte de una herramienta eléctrica que, luego de ser examinada, *MILWAUKEE* compruebe que presenta defectos en material o mano de obra. Se requiere la devolución de la herramienta eléctrica a un centro de mantenimiento de la fábrica *MILWAUKEE* o a un centro de reparaciones autorizado por *MILWAUKEE*, con gastos de envío prepagados y asegurada. La devolución del producto debe estar acompañada por un comprobante de compra. Esta garantía no se aplica a los daños que *MILWAUKEE* establezca que fueron ocasionados por reparaciones o intentos de reparación por parte de personal no autorizado por *MILWAUKEE*, uso indebido, alteraciones, abuso, desgaste y deterioro normal, falta de mantenimiento o accidentes.

*Todas las baterías de IONES DE LITIO con tecnología V™ de *MILWAUKEE* (V18™ y V28™) y las baterías XC de IONES DE LITIO M18™ cuentan con una garantía de cinco (5) años o de 2 000 cargas, lo que ocurra primero, a partir de la fecha de compra. Las primeras 1 000 cargas o 2 años de garantía, lo que ocurra primero, están cubiertos con el reemplazo gratuito de la batería defectuosa. Esto significa que tras las primeras 1 000 cargas o los primeros dos (2) años a partir de la fecha de compra o de la primera carga, se ofrecerá una batería de repuestos al cliente por cualquier batería defectuosa sin cargo. A partir de ese momento, las cargas restantes hasta llegar a las 2 000 o el tiempo restante del periodo de cinco (5) años desde el momento de la compra, lo que ocurra primero, estarán cubiertos por un prorrateo. Esto significa que cada cliente obtiene una garantía prorrateada de 1 000 cargas adicionales o tres (3) años por la batería de IONES DE LITIO con tecnología V™ y la batería XC de IONES DE LITIO M18™ según el uso.

*La batería de IONES DE LITIO M28™ cuentan con una garantía de tres (3) años a partir de la fecha de compra.

*El periodo de garantía para TODAS las baterías de IONES DE LITIO es de dos (2) años a partir de la fecha de compra.

*El periodo de la garantía para las baterías de níquel-cadmio, las lámparas de trabajo (Internas Inalámbricas), las radios para la obra, el puerto de alimentación M12 y las carretillas de trabajo industrial Trade Titan™ es de un (1) año a partir de la fecha de compra.

*Esta garantía no cubre las clavadoras aéreas, las engrapadoras, el rociador de pintura inalámbrico, los generadores eléctricos portátiles que funcionan con gasolina, las herramientas manuales, los elevadores (eléctricos, con palanca y con cadenas manuales), los productos reacondicionados y los productos de prueba y medición. Se encuentran disponibles garantías distintas para estos productos.

No se necesita registro de garantía para obtener la garantía correspondiente de un producto eléctrico *MILWAUKEE*. La fecha de fabricación del producto se utilizará para determinar el periodo de garantía si no se presenta un comprobante de compra en el momento en que se solicita el servicio de garantía.

LA ACEPTACIÓN DE LOS DERECHOS A REPARACIÓN Y REEMPLAZO EXCLUSIVAMENTE DESCRITOS EN EL PRESENTE DOCUMENTO CONSTITUYE UNA CONDICIÓN DEL CONTRATO POR LA COMPRA DE CADA PRODUCTO *MILWAUKEE*. SI NO ACEPTA ESTA CONDICIÓN, NO DEBE COMPRAR EL PRODUCTO. *MILWAUKEE* NO SERÁ EN NINGUN CASO RESPONSABLE DE DAÑOS INCIDENTALES, ESPECIALES, CONSECUENTES O PUNITIVOS, NI DE COSTOS, HONORARIOS DE ABOGADOS, GASTOS, PERDIDAS O DEMORAS SUPUESTAMENTE CAUSADOS COMO CONSECUENCIA DE CUALQUIER DAÑO, FALLA O DEFECTO EN CUALQUIER PRODUCTO, INCLUIDOS, A MODO DE EJEMPLO, RECLAMOS POR PERDIDA DE GANANCIAS. ALGUNOS ESTADOS NO PERMITEN LA EXCLUSIÓN O LA LIMITACIÓN DE DAÑOS INCIDENTALES O CONSECUENTES. POR LO TANTO, LAS LIMITACIONES Y EXCLUSIONES ANTERIORES PUEDEN NO APLICARSE PARA USTED. ESTA GARANTÍA ES EXCLUSIVA Y SUSTITUYE A TODAS LAS OTRAS GARANTÍAS EXPRESAS, ESCRITAS U ORALES, SEGUN LO PERMITA LA LEY. *MILWAUKEE* SE EXIME DE TODA GARANTÍA IMPLÍCITA, INCLUIDOS, A MODO DE EJEMPLO, TODA GARANTÍA IMPLÍCITA DE COMERCIABILIDAD O IDONEIDAD PARA UN USO O PROPOSITO EN PARTICULAR. EN LA MEDIDA EN QUE DICHA RENUNCIA NO ESTE PERMITIDA POR LA LEY, DICHAS GARANTÍAS IMPLÍCITAS ESTÁN LIMITADAS A LA DURACIÓN DE LA GARANTÍA EXPRESA APLICABLE. SEGUN SE DESCRIBE ANTERIORMENTE, ALGUNOS ESTADOS NO PERMITEN LIMITACIONES EN LA DURACIÓN DE UNA GARANTÍA IMPLÍCITA. POR LO TANTO, LA LIMITACIÓN ANTERIOR PUEDE NO APLICARSE PARA USTED. ESTA GARANTÍA LE OTORGA DERECHOS LEGALES ESPECIFICOS Y TAMBIÉN PUEDE TENER OTROS DERECHOS QUE VARIAN DE ESTADO EN ESTADO.

Esta garantía se aplica a los productos vendidos en los EE. UU. y Canadá.

Consulte la "Búsqueda de centro de servicio" en la sección Piezas y servicio del sitio web de *MILWAUKEE*, www.milwaukeeetool.com, o llame al 1.800.SAWDUST (1.800.729.3878) para identificar el centro de servicio más cercano a fin de obtener servicio de garantía y fuera de garantía para una herramienta eléctrica de *MILWAUKEE*.

PÓLIZA DE GARANTÍA - VALIDA SOLO PARA MÉXICO, AMÉRICA CENTRAL Y EL CARIBE

TECHTRONIC INDUSTRIES, garantiza por 5 años este producto a partir de la fecha original de compra.

Esta garantía cubre cualquier defecto que presenten las piezas, componentes y la mano de obra contenidas en este producto. Para América Central y el Caribe se debe confirmar en el Centro de Servicio Autorizado el plazo de la garantía.

Para hacer efectiva la Garantía deberá presentar al Centro de Servicio Autorizado la Póliza de Garantía sellada por el establecimiento en donde adquirió el producto. Si no la tienen, podrá presentar el comprobante de compra original.

Usted puede llamar sin costo al teléfono 01 800 832 1949 o por correo electrónico a la dirección "servicio@tigroupna.com", para ubicar el Centro de Servicio Autorizado más cercano a su domicilio, en el cual además podrá adquirir partes, componentes, consumibles y accesorios, que usted necesite.

Procedimiento para hacer válida la garantía

Acuda al Centro de Servicio con el producto y la póliza de garantía sellada por el establecimiento donde realizó la compra. Allí se reemplazará cualquier pieza o componente defectuoso sin cargo alguno para el usuario final. La empresa se hace responsable de los gastos de transportación razonablemente erogados que se deriven del cumplimiento de la presente garantía.

Excepciones

La garantía perderá validez en los siguientes casos:

- a) Cuando el producto se hubiese utilizado en condiciones distintas a las normales.
- b) Cuando el producto no hubiese sido operado de acuerdo con el instructivo de uso que le acompaña.
- c) Cuando el producto hubiese sido alterado o reparado por personas no autorizadas por TECHTRONIC INDUSTRIES.

Nota: Si el cordón de alimentación es dañado, este debe ser reemplazado por el fabricante o por un Centro de Servicio Autorizado para evitar riesgo.

Modelo: _____

Fecha de Compra: _____

Sello del Distribuidor: _____

CENTRO DE SERVICIO Y ATENCIÓN A CLIENTES
Rafael Buelna No.1. Col. Tezozomoc Mexico, D.F.
Tel. 01 800 832 1949

IMPORTADO Y COMERCIALIZADO POR:
TECHTRONIC INDUSTRIES MEXICO, S.A. DE C.V.
Av. Santa Fe 481 piso 6, Col. Curz Manca.
CP 05349, Cuajimalpa, D.F.

UNITED STATES MILWAUKEE Service

MILWAUKEE prides itself in producing a premium quality product that is NOTHING BUT HEAVY DUTY®. Your satisfaction with our products is very important to us! If you encounter any problems with the operation of this tool, or you would like to locate the factory Service/Sales Support Branch or authorized service station nearest you, please call...

Additionally, we have a nationwide network of authorized Distributors ready to assist you with your tool and accessory needs. Check your "Yellow Pages" phone directory under "Tools-Electric" for the names & addresses of those nearest you or see the 'Where To Buy' section of our website.

1-800-SAWDUST

(1.800.729.3878)

Monday-Friday
7:00 AM - 6:30 PM
Central Time

or visit our website at

www.milwaukeetool.com

For service information, use the 'Service Center Search' icon found in the 'Parts & Service' section.

Contact our Corporate After Sales Service Technical Support about ...

- Technical Questions
- Service/Repair Questions
- Warranty

call: 1-800-SAWDUST
fax: 1.800.638.9582

email: metproductsupport@milwaukeetool.com

Register your tool online at www.milwaukeetool.com and...

- receive important notifications regarding your purchase
- ensure that your tool is protected under the warranty
- become a HEAVY DUTY club member

CANADA - Service MILWAUKEE

MILWAUKEE prides itself in producing a premium quality product that is NOTHING BUT HEAVY DUTY®. Your satisfaction with our products is very important to us!

If you encounter any problems with the operation of this tool, or you would like to locate the factory Service/Sales Support Branch or authorized service station nearest you, please call...

1.800.268.4015

Monday – Friday 7:00 – 4:30 CST
fax: 866.285.9049

Milwaukee Electric Tool (Canada) Ltd

140 Fernstaff Court, Unit 4 18129 111 Avenue NW
Vaughan, ON L4K 3L8 Edmonton, AB T5S 2P2

Additionally, we have a nationwide network of authorized Distributors ready to assist you with your tool and accessory needs. Call 1.800.268.4015 to find the names and addresses of the closest retailers or consult "Where to buy" on our Web site www.milwaukeetool.com

MILWAUKEE est fier de proposer un produit de première qualité NOTHING BUT HEAVY DUTY®. Votre satisfaction est ce qui compte le plus!

En cas de problèmes d'utilisation de l'outil ou pour localiser le centre de service/ventes ou le centre d'entretien le plus proche, appelez le...

1.800.268.4015

Lundi – Vendredi 7:00 – 4:30 CST
fax: 866.285.9049

Milwaukee Electric Tool (Canada) Ltd

140 Fernstaff Court, Unit 4 18129 111 Avenue NW
Vaughan, ON L4K 3L8 Edmonton, AB T5S 2P2

Notre réseau national de distributeurs agréés se tient à votre disposition pour fournir l'aide technique, l'outillage et les accessoires nécessaires. Composez le 1.800.268.4015 pour obtenir les noms et adresses des revendeurs les plus proches ou bien consultez la section «Où acheter» sur notre site web à l'adresse www.milwaukeetool.com

MEXICO - Soporte de Servicio MILWAUKEE

CENTRO DE ATENCIÓN A CLIENTES

Rafael Buelna No. 1, Col Tezozomoc,
Delegación Azcapotzalco, México, D.F.
Telefono sin costo 01 800 832 1949
e-mail: servicio@ttigroupna.com

Adicionalmente, tenemos una red nacional de distribuidores autorizados listos para ayudarle con su herramienta y sus accesorios. Por favor, llame al 01 800 832 1949 para obtener los nombres y direcciones de los más cercanos a usted, o consulte la sección 'Where to buy' (Dónde comprar) de nuestro sitio web en

www.ttigroupmexico.com

Registre su herramienta en línea, en www.ttigroupmexico.com y...

- reciba importantes avisos sobre su compra
- asegúrese de que su herramienta esté protegida por la garantía
- conviértase en integrante de Heavy Duty

MILWAUKEE ELECTRIC TOOL CORPORATION
13135 West Lisbon Road • Brookfield, Wisconsin, U.S.A. 53005