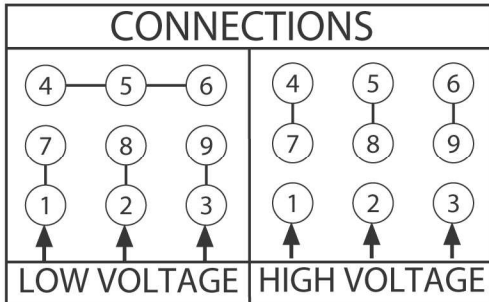


Motor Connection Diagrams

3 Phase NEMA Motors

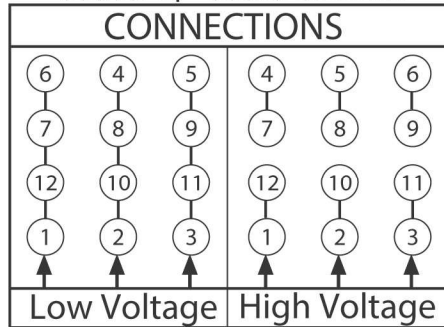
3 Phase - YY/Y - 9 Lead

4,1 Blue / 5,2 White / 6,3 Org / 7 Y1 / 8 Blk / 9 RD
 Cast Iron - 1,2,3 Top - 4,5,6,7,8,9 Bottom
 Aluminum - 4,5,6,8,9 Top - 1,2,3,7 Bottom



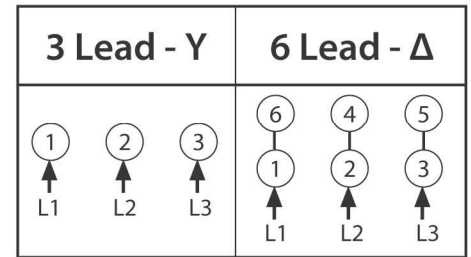
3 Phase - Δ/ΔΔ - 12 Lead

T1 & T4: Blue / T2 & T5: White / T8 & T11: Black
 T9 & T12: Red / T3 & T6: Orange / T7 & T10: Yellow
 1,2,3,7,8,9 Top - 4,5,6,10,11,12 Bottom



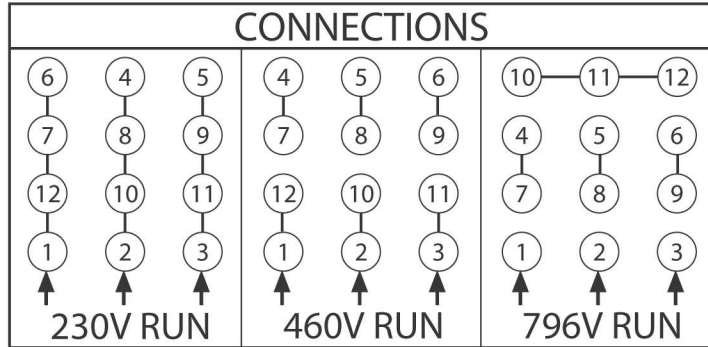
3 Phase - Single Voltage

T1 & T4: Blue / T2 & T5: White
 T3 & T6 Orange
 1,2,3 Top - 4,5,6 Bottom



3 Phase - Δ/ΔΔ/Y - 12 Lead - Tri-Voltage

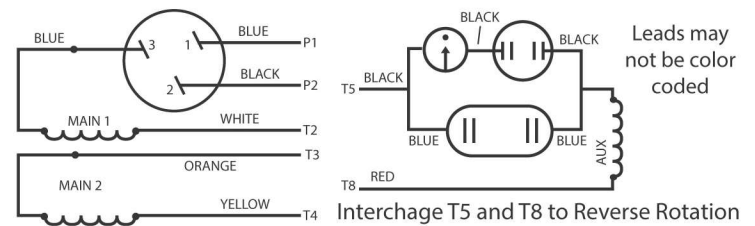
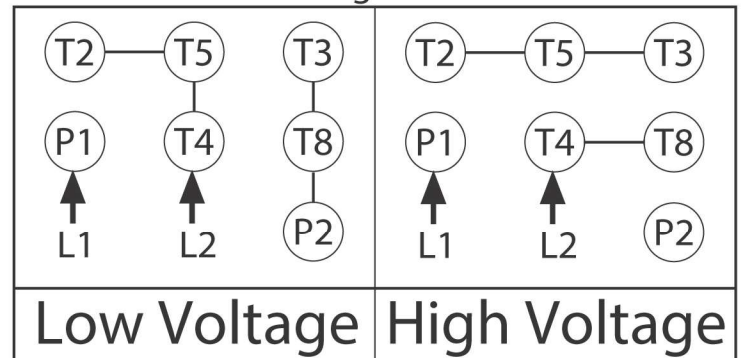
Lead Color and location are the same as 12 lead above



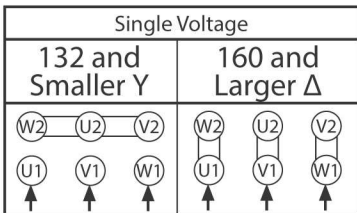
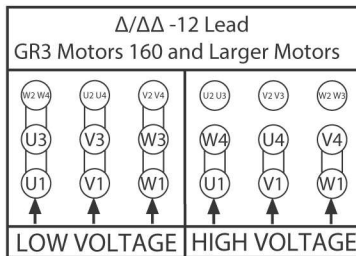
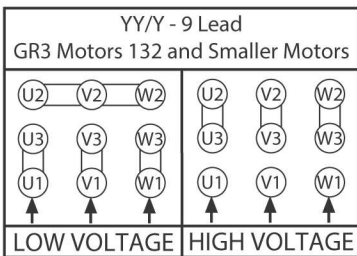
Single Phase - NEMA

Dual Voltage - RD1 Line

P1: Blue / P2 & T5: Black / T2: White
 T3: Orange / T8: Red



3 Phase IEC MOTORS



When Motor is in F1 position, leads indicated as "TOP" exit the casing above the center line of the motor and those indicated as "Bottom" exit below the center line. This information can be used to identify missing or mislabelled leads.

Single Voltage - RD1 Line - Frame 182T - 215T

