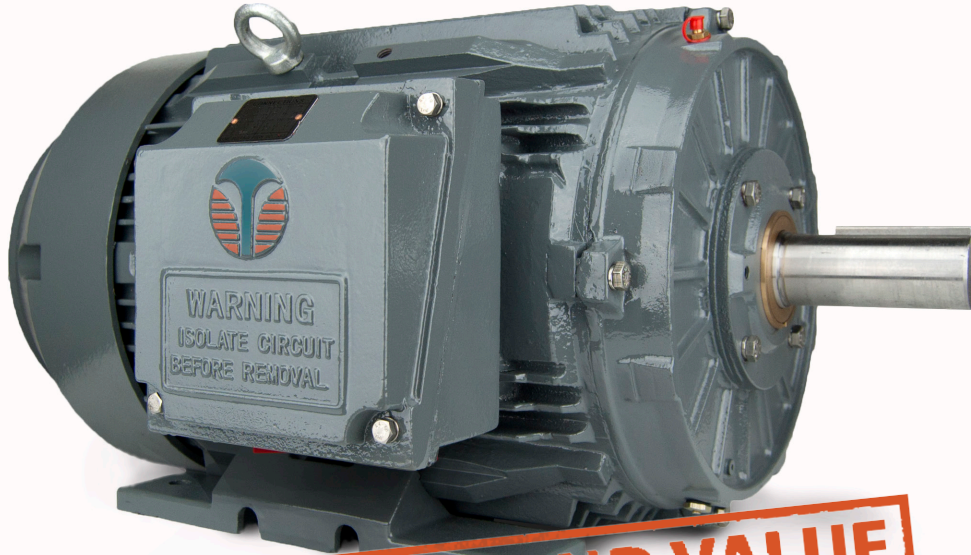




TECHTOP

electric motors



RELIABILITY AND VALUE



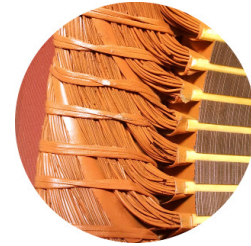
Hand crafted stator ensures precision winding combined with robust VPI insulation system.

Motors & Relationships Built to Last

Quality is the main ingredient

Techtop motors are designed with unique premium features to ensure reliable operation in severe environments. Our network of warehouses means product is readily available across the USA.

techtop.com



Quality



Performance



Availability



Customization

| Company Overview



TECHTOP is a family owned company taking complete ownership in the design, manufacturing and sale of electric motor products for industrial and commercial applications.

- Global corporation with three production facilities & 10 overseas subsidiaries
- Setting the standard for innovation, design and construction
- A worldwide leader in aluminum frame electric motor production





Canada

USA

Holland

UK

Germany

Italy

Spain

Dubai

China

Singapore

Australia

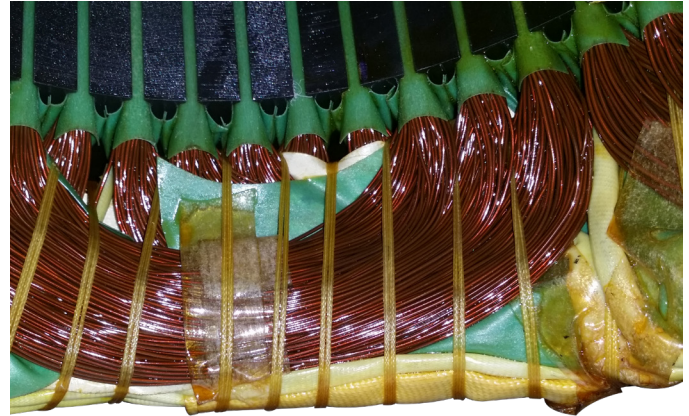
Lap Winding vs. Concentric Winding



Lap Winding is a hand wound system ensuring precision placement of coils and phase insulation.

- Manually inserted, less wire stress
- VPI insulation, eliminates resin voids
- Sealed with Anti-microbial coating

COMPETITOR

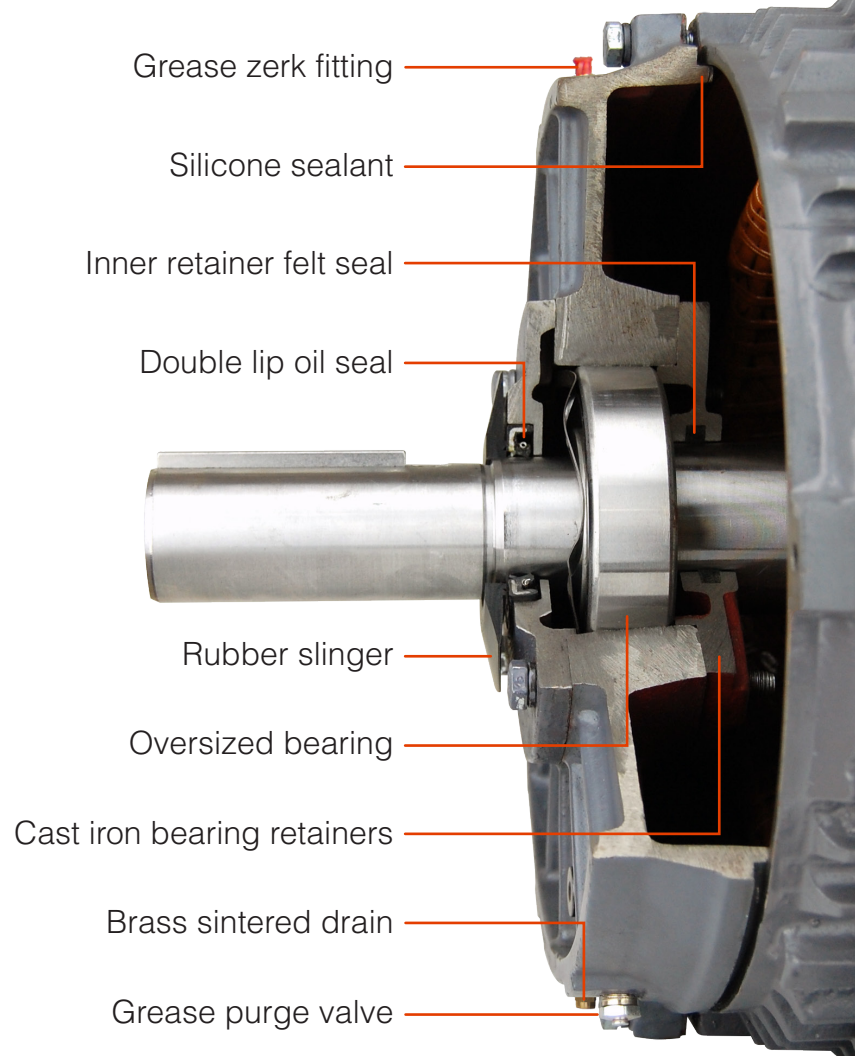
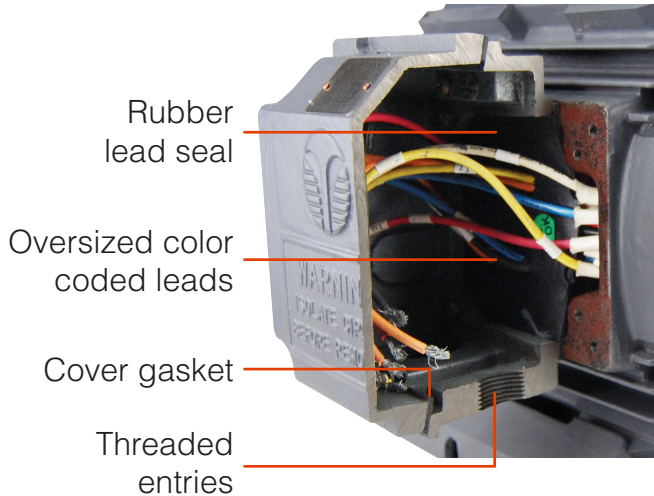


Concentric Winding is a machine wound system subject to more coil and phase overlap.

- Higher probability of phase to phase short
- Dip and Bake process poses higher potential for air pockets in resin

Ingress Protection

TECHTOP's standard TEFC enclosure meets severe duty IP55. An innovative approach to bearing and terminal box sealing keeps harsh environment elements outside the motor.



| TECHTOP USA



TECHTOP USA was formed in 2008 in an effort to bring service and support to America with the growing TECHTOP line. While developing the US market, we observed the motor industry was reversing in terms of design and overall quality of product. With feedback from end users, EASA shops and OEM's, we set out on a mission to build a better motor for the customer. Today TECHTOP is setting the standard in the low voltage motor market.

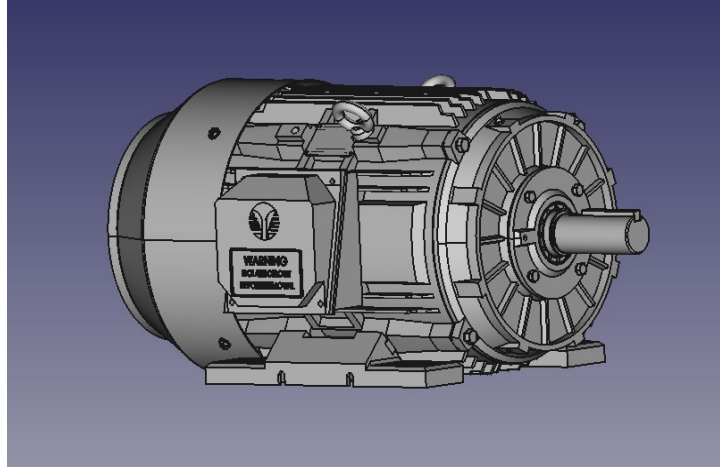
- James Muldoon , TECHTOP USA General Manager


Warehouse Locations



TECHTOP Engineering

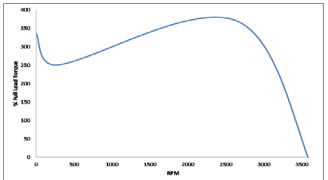
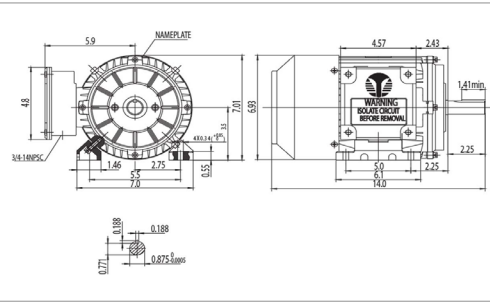
Application Engineering In our local Techtopy office, technical support is available and ready to help you every step of the way. We offer online ready data, 3D & 2D technical drawings, and a talented team of engineers to help you navigate any challenges that may arise.





Techtopy Industries

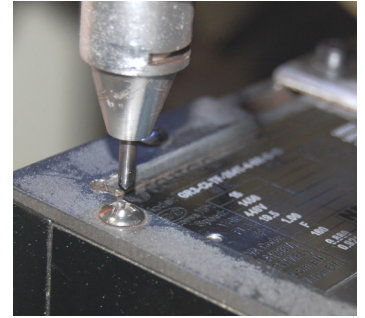
Nameplate and Performance Data

NAMEPLATE DATA		Motor Model: GR3-CI-TF-145T-2-B-D-2	
Part Number	58761	Performance Load Values	
Phase	3	0 Load	Motorpower
Speed, RPM	3450	Current, Amps	Input power
Voltage	230/460V	Speed, RPM	Efficiency, %
IP Rating	IP54	0	0.9431
Full Load Amps	6.42/3.9	25	0.9431
Power Factor	0.89	50	0.9431
Nominal Efficiency	85.5	75	0.9431
Service Factor	1.15	100	0.9431
Shaft	CONV F 33	125	0.9431
Full Load Temp Rise °C	47	Performance values at 460 Volts 60 Hz	
Enclosure	TFFC	Temperature	Speed, RPM
Ambient Temperature	40°C	Torque	Current, Amps
BVA Code	H	Locked Rotor Torque	23.07
UL Temp. @ 100 V	F	Pull-Up Torque	26.5
Insulation Class	F	Breakdown Torque	29.9
Weight	57.77	Full Load	2.580
DF Bearing	0.20522	Speed Torque Curve	
NSC Bearing	0.20522		
NS Non-Load	-	Dimensional Drawing	
Motor Wtd. (Lbs/Ft³)	0.087861		
Start Capacitor µF	-	<p>Dimensions are for reference only. Allowance should be made for minor deviations in non standard specified properties.</p> <p>Techtop Industries 1296 Old Alpharetta Road, Alpharetta, GA 30005 E-Mail at info@techtopyind.com</p>	
Run Capacitor µF	-		
Start Capacitor V	-		
Run Capacitor V	-		
Number of Leads	5		
Connection	Y/Y		
CRS Resistance (Ω)	2.256		

| TECHTOP Modification Shop

Customization Our motor modification shop is ready and available to get you the custom motors you need in a timely manner. Our short cycles provide a quick turnaround because when you need it now, is when you need it most. Let our Techttop team of professional motor technicians take your express needs for non-standard product. We will give it our top priority.

OEM Specialty OEM partnerships often require custom solutions as a standard to fit their equipment needs. Techttop has experience and success in the design and manufacture of such custom engineered products. Give us a call today to discuss any challenging applications for Techttop to propose a value added solution.



TECHTOP Product Line

Cast Iron Premium Series Three phase, NEMA premium efficient, 2,4,and 6 pole, 1 to 250HP, Inverter Rated - 15:1 Constant Torque, MG1 Part 31 Compliant for VFD use. Ideal for numerous industrial applications.



Aluminum Premium Series Three Phase, NEMA premium efficient, 2/4/6 Pole, 1-15 HP, Inverter Rated - 15:1 Constant Torque, MG1 Part 31. Light weight frame is perfect for difficult installations or the weight conscience OEM.

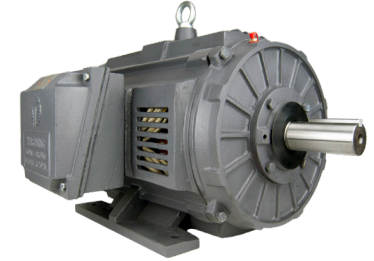


Metric IEC Premium Series Three Phase, NEMA premium efficient, 2/4/6 Pole, 1/8-150 HP, 0.09-110kW, Inverter Rated - 15:1 Constant Torque, MG1 Part 31 Compliant for VFD use. Increase / decrease flanges available.



TECHTOP Product Line

Open Drip Proof Premium Series Three phase, premium efficient, 1 to 150HP, IP23 Rated, Inverter Rated - 15:1 Constant Torque, MG1 Part 31 Compliant for VFD use. Ideal for numerous industrial applications.



IEEE 841 Severe Duty Series Three Phase, NEMA premium efficient, 2/4/6 Pole, 15-250 HP, IP56 Protection, Inpro seals, 3 lead connection, Inverter Rated - 15:1 Constant Torque, MG1 Part 31 Compliant for VFD use. Ideal for harsh environment applications.

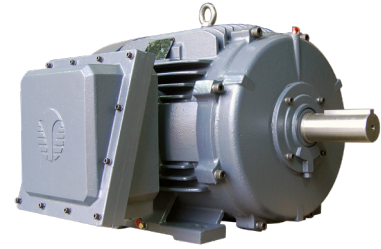


JM/JP Pump Series Three Phase, 2/4 Pole, 1/3-50HP, IP 55 Rated, Continuous Duty, Dual voltage, Inverter Rated - 20:1 Variable Torque, MG1 Part 31 Compliant for VFD use. Ideal for Pump, Aerator, Turbine applications.



TECHTOP Product Line

Explosion Proof Series Three phase, NEMA premium efficient, 2,4,and 6 pole, 1 to 250HP, Certified for Hazardous location, IP 54, IEEE 45, Inverter Rated - 4:1 Constant Torque, MG1 Part 31. Ideal for Hazardous location applications.



56C Frame



HVAC



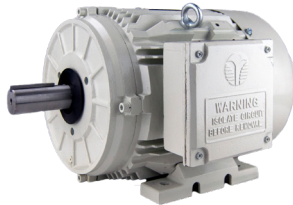
Farm Duty



Crusher Duty



Washdown Duty



Oil Pumper



Phase Converter



Blower Kits

Warranty Protection

TECHTOP is committed to 100% customer satisfaction. All of our warranty times start from Date of Purchase. For more info contact :

Email : warranty@techttopind.com

Single Phase

All Motor Lines - 18 Months

Three Phase

Blue Line - 24 months
Green Line - 36 months
Brown Line - 60 months
Black Line - 24 months
Gray Line - 24 months
Orange Line 24 months



Techtop is the right choice for better business. As you can tell by our motors, we are not satisfied with the normal standards. We continue to strive for excellence in everything we do. We are proud to create motors and relationships built to last. We are ready, Are you?



© Techttop Motor Co., U.S.A., Inc. Peachtree Corners, GA

techttop.com

1-855-TECHTOP



E

C



US

