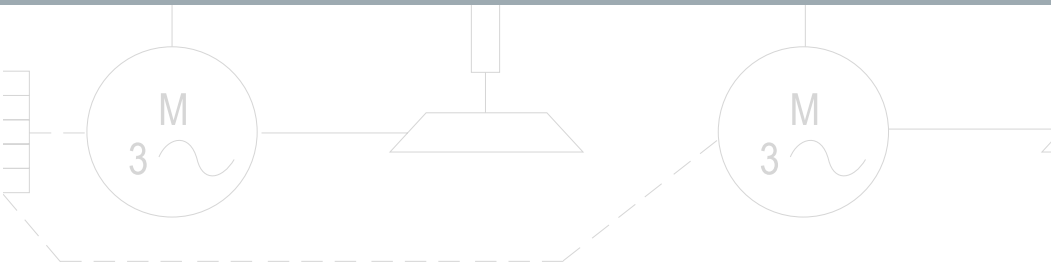
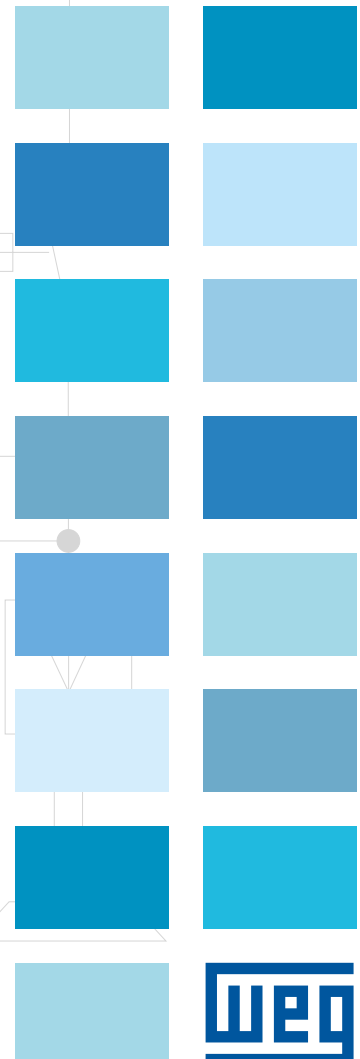
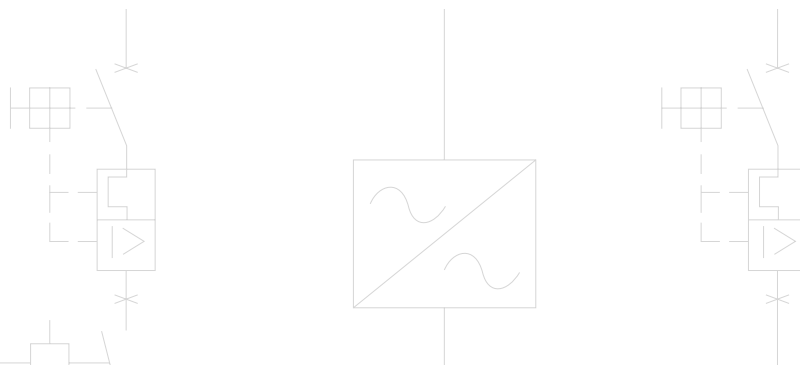


# Automation

## Pushbuttons and Pilot Lights Line Overview



## Double Pushbutton - IP66

### Black Frame

#### Without Illumination

LETTERING	Symbol	Part Number
0		CSW2-BDF2110 WH
START STOP		CSW2-BDF21LD WH
START STOP		CSW2-BDF21SS WH
0		CSW2-BDF0510 WH
START STOP		CSW2-BDF05SS WH
+ -		CSW2-BDF55PN WH
↑ ↓		CSW2-BDF55FR WH

#### Illuminated

Symbol	Part Number
	CSW2-BDFI2110 WH
	CSW2-BDFI21LD WH
	CSW2-BDFI21SS WH
	CSW2-BDFI0510 WH
	CSW2-BDFI05SS WH
	CSW2-BDFI55PN WH
	CSW2-BDFI55FR WH

### Metal-Coated Frame

#### Without Illumination

Symbol	Part Number
	CSW2-BDFC2110 WH
	CSW2-BDFC21LD WH
	CSW2-BDFC21SS WH
	CSW2-BDFC0510 WH
	CSW2-BDFC05SS WH
	CSW2-BDFC55PN WH
	CSW2-BDFC55FR WH

#### Illuminated

Symbol	Part Number
	CSW2-BDFIC2110 WH
	CSW2-BDFIC21LD WH
	CSW2-BDFIC21SS WH
	CSW2-BDFIC0510 WH
	CSW2-BDFIC05SS WH
	CSW2-BDFIC55PN WH
	CSW2-BDFIC55FR WH



## Extended Double Pushbutton - IP66

### Black Frame

#### Without Illumination

LETTERING	Symbol	Part Number
0		CSW2-BDS21 WH
START STOP		CSW2-BDS21LD WH
START STOP		CSW2-BDS2110 WH
0		CSW2-BDS0510 WH
START STOP		CSW2-BDS05SS WH

#### Illuminated

Symbol	Part Number
	CSW2-BDSI2110 WH
	CSW2-BDSI21LD WH
	CSW2-BDSI21SS WH
	CSW2-BDSI0510 WH
	CSW2-BDSI05SS WH

### Metal-Coated Frame

#### Without Illumination

Symbol	Part Number
	CSW2-BDSC21 WH
	CSW2-BDSC21LD WH
	CSW2-BDSC2110 WH
	CSW2-BDSC0510 WH
	CSW2-BDSC05SS WH

#### Illuminated

Symbol	Part Number
	CSW2-BDSIC2110 WH
	CSW2-BDSIC21LD WH
	CSW2-BDSIC21SS WH
	CSW2-BDSIC0510 WH
	CSW2-BDSIC05SS WH



## Triple Pushbutton - IP66

### Black Frame

#### Without Illumination

LETTERING	Symbol	Part Number	LETTERING	Symbol	Part Number	LETTERING	Symbol	Part Number	LETTERING	Symbol	Part Number
STOP		CSW2-BTF2121IIS WH	STOP		CSW2-BTF515FRD WH	STOP		CSW2-BTF515PNS WH	RESET 0		CSW2-BTF045IOR WH
STOP		CSW2-BTF2121RLS WH	STOP		CSW2-BTF015FRS WH	STOP		CSW2-BTF515PND WH	START RESET STOP		CSW2-BTF045SSR WH
STOP		CSW2-BTF2121FRS WH	STOP		CSW2-BTF015RLS WH	RESET 0		CSW2-BTF2411ORM WH	START RESET STOP		CSW2-BTF241LDRM WH
STOP		CSW2-BTF515FRS WH	STOP		CSW2-BTF2121PNS WH	RESET 0		CSW2-BTF2411OR WH	START RESET STOP		CSW2-BTF241LDR WH



### Metal-Coated Frame

#### Without Illumination

LETTERING	Symbol	Part Number	LETTERING	Symbol	Part Number
+ STOP		CSW2-BTFC515PNS WH	START RESET STOP		CSW2-BTFC045SSR WH
+ STOP		CSW2-BTFC515PND WH	RESET 0		CSW2-BTFC045IOR WH
RESET 0		CSW2-BTFC2411ORM WH	START RESET STOP		CSW2-BTFC241LDRM WH
RESET 0		CSW2-BTFC2411OR WH	START RESET STOP		CSW2-BTFC241LDR WH

## Extended Triple Pushbutton - IP66

### Black Frame

#### Without Illumination

LETTERING	Symbol	Part Number	Symbol	Part Number
RESET 0		CSW2-BTS2411ORM WH		CSW2-BTSC2411ORM WH
RESET 0		CSW2-BTS2411OR WH		CSW2-BTSC2411OR WH
START RESET STOP		CSW2-BTS241LDRM WH		CSW2-BTSC241LDRM WH
START RESET STOP		CSW2-BTS241LDR WH		CSW2-BTSC241LDR WH

### Metal-Coated Frame

#### Without Illumination

Symbol	Part Number
	CSW2-BTSC2411ORM WH
	CSW2-BTSC2411OR WH
	CSW2-BTSC241LDRM WH
	CSW2-BTSC241LDR WH



## Pushbuttons - IP66

### Flush

- CSW-BF0 WH
- CSW-BF1 WH
- CSW-BF2 WH
- CSW-BF3 WH
- CSW-BF4 WH
- CSW-BF5 WH



### Guarded

- CSW-BGA0 WH
- CSW-BGA1 WH
- CSW-BGA2 WH
- CSW-BGA3 WH
- CSW-BGA4 WH
- CSW-BGA5 WH



### Extended<sup>1)</sup>

- CSW-BS0 WH
- CSW-BS1 WH
- CSW-BS2 WH
- CSW-BS3 WH
- CSW-BS4 WH
- CSW-BS5 WH



### Flush Pushbutton

- CSW-BF10 WH
- CSW-BF11 WH
- CSW-BF12 WH
- CSW-BF13 WH
- CSW-BF14 WH
- CSW-BF16 WH<sup>2)</sup>



### Extended Illuminated

- CSW-BSI0 WH
- CSW-BSI1 WH
- CSW-BSI2 WH
- CSW-BSI3 WH
- CSW-BSI4 WH
- CSW-BSI6 WH<sup>4)</sup>



### Mushroom 40 mm

- CSW-BC0 WH
- CSW-BC1 WH
- CSW-BC2 WH
- CSW-BC3 WH
- CSW-BC4 WH
- CSW-BC5 WH



### Mushroom with Latch - Twist to Release

- CSW-BCT0 WH
- CSW-BCT1 WH
- CSW-BCT2 WH
- CSW-BCT3 WH
- CSW-BCT4 WH
- CSW-BCT5 WH



### Mushroom with Key

- CSW-BCY0 WH
- CSW-BCY1 WH
- CSW-BCY2 WH
- CSW-BCY3 WH
- CSW-BCY4 WH
- CSW-BCY5 WH



### Illuminated Mushroom

- CSW-BCI0 WH
- CSW-BCI1 WH
- CSW-BCI2 WH
- CSW-BCI3 WH
- CSW-BCI4 WH
- CSW-BCI6 WH<sup>4)</sup>



## Emergency Stop Pushbuttons - IEC 60497-5-5, ISO 13850 (EN 418)

### Turn-To-Release

- CSW-BESG WH (standard)
- CSW-BESGS WH (side signaling)
- CSW-BESGM WH (with latch)



### Pull-To-Release

- CSW-BESP WH (standard)
- CSW-BESPS WH (side signaling)
- CSW-BESPM WH (with latch)



### Key Release

- CSW-BESY WH (standard)
- CSW-BESYS WH (side signaling)
- CSW-BESYM WH (with latch)



## Pushbuttons - IP66

### Emergency Stop Pushbuttons - IEC 60497-5-5, ISO 13850 (EN 418)

#### Emergency Pushbuttons With Latch



CSW-BESPM WH

CSW-BESGM WH

CSW-BESYM WH

## Pushbuttons - IP40

### Illuminated

LETTERING		LETTERING		LETTERING		
I		CSW-BD WH		+		CSW-BD55PN WH
0				-		
START		CSW-BD12SS WH		↑		CSW-BD55FR WH
STOP				↓		
		CSW-BD12 WH				



### Main Certifications



## Change-Over Switches - IP66

### Knob - 2 Positions<sup>1)</sup>



#### Fixed

- CSW-CK2F45 WH
- CSW-CK2F90 WH

#### Return

- CSW-CK2R45 WH
- CSW-CK2R90 WH

### 2 Positions Illuminated Selectors



#### Fixed

- CSW-CKI2F900 WH
- CSW-CKI2F901 WH
- CSW-CKI2F902 WH
- CSW-CKI2F903 WH
- CSW-CKI2F904 WH
- CSW-CKI2F906 WH<sup>2)</sup>

### Lever - 2 Positions<sup>1)</sup>



#### Fixed

- CSW-CA2F45 WH
- CSW-CA2F90 WH

#### Return

- CSW-CA2R45 WH
- CSW-CA2R90 WH

### Knob with Key - 2 Positions<sup>1)</sup>



#### Fixed

- CSW-CY2F45 WH
- CSW-CY2F90 WH

#### Return

- CSW-CY2R45 WH
- CSW-CY2R90 WH

		Diagram					Flange
Handle position	Mounting position in the flange	-	2	3	1	-	
							5P
	I						
	II						

# Front Parts of the Command and Signaling Line - Installation Holes (Ø22 mm)

## Change-Over Switches - IP66

### Knob - 3 Positions<sup>1)</sup>



Fixed

CSW-CK3F45 WH

Return to the Center

CSW-CK3R45 WH

Return to the Left

CSW-CK3RE45 WH

Return to the Right

CSW-CY3R45 WH

### Lever - 3 Positions<sup>1)</sup>



Fixed

CSW-CA3F45 WH

Return to the Center

CSW-CA3R45 WH

Return to the Left

CSW-CA3RE45 WH

Return to the Right

CSW-CY3RD45 WH

Diagram						Flange
Handle position	Mounting position in the flange					
	I	-	2	3	1	-
II	4	2	5	1	3	5P
I	■	■				
0			☼			
II				■	■	

### Knob with Key - 3 Positions<sup>1)</sup>



Fixed

CSW-CY3F45 WH

Return to the Center

CSW-CY3R45 WH

Return to the Left

CSW-CY3RE45 WH

Return to the Right

CSW-CY3RD45 WH

### 3 Positions Illuminated Selectors



Fixed

CSW-CKI3F450 WH

CSW-CKI3F451 WH

CSW-CKI3F452 WH

CSW-CKI3F453 WH

CSW-CKI3F454 WH

CSW-CKI3F456 WH<sup>2)</sup>

Return to the Center

CSW-CKI3R450 WH

CSW-CKI3R451 WH

CSW-CKI3R452 WH

CSW-CKI3R453 WH

CSW-CKI3R454 WH

CSW-CKI3R456 WH<sup>2)</sup>

Return to the Left

CSW-CKI3RE450 WH

CSW-CKI3RE451 WH

CSW-CKI3RE452 WH

CSW-CKI3RE453 WH

CSW-CKI3RE454 WH

CSW-CKI3RE456 WH<sup>2)</sup>

Return to the Right

CSW-CKI3RD450 WH

CSW-CKI3RD451 WH

CSW-CKI3RD452 WH

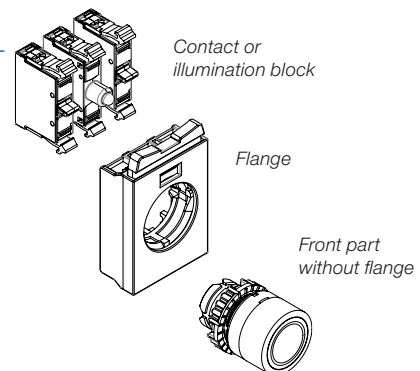
CSW-CKI3RD453 WH

CSW-CKI3RD454 WH

CSW-CKI3RD456 WH<sup>2)</sup>

### How to order

- Frontal
- + Flange
- + Contact block
- + Illumination block



## Pilot Lights - IP66

### Pilot Lights - IP66



CSW-SD0 WH

CSW-SD1 WH

CSW-SD2 WH

CSW-SD3 WH

CSW-SD4 WH

CSW-SD6 WH<sup>2)</sup>

Notes: 1) Change-over switches in other colors, on request only;  
2) For a better performance, use a yellow LED block.

## Accessories - Mounting in Flanges - Blue

### Contact Blocks<sup>1)</sup>



BC01F-CSW 1 NC  
 BC10F-CSW 1 NO  
 BCA10F-CSW 1 NOa (advanced)  
 BCR01F-CSW 1 NCd (delayed)

### Self-Monitoring Contact Block



BCM01F-CSW 1 Nc (monitoring of the mechanical assembly of the pushbuttons CSW-BES)

### Illumination Blocks with Integrated LED



○ CSW-BIDLF-0♦ E25 - 12 V ac/dc  
 ● CSW-BIDLF-1♦ E26 - 24 V ac/dc  
 ● CSW-BIDLF-2♦ E27 - 48 V ac/dc  
 ● CSW-BIDLF-3♦ D61 - 110-130 V ac  
 ● CSW-BIDLF-4♦ C13 - 125 V dc  
 ● CSW-BIDLF-4♦ D66 - 220-240 V ac

### Voltage Step-Down Blocks



CSW-BRT2F Application voltage: 220 V dc. Use with LED illumination block model: CSW-BIDLF\_C13 (125 V dc)

CSW-BRT4F Application voltage: 380-460 V ac. Use with LED illumination block model: CSW-BIDLF\_D66 (220-240 V ac)

### Illumination Block Ba9s with Lamp + Resistor + Diode



CSW-BIRDF-D66  
 (Power supply 220-240 V ac)

### Socket Block for Light Bulb Ba9s



CSW-BIDF  
 Maximum voltage 380 V / 2 W

### Push-On/Push-Off Block



CSW-BRF-3P  
 Note: Use only with:  
 ■ BC01F (1 NC)  
 ■ BCA10F (1 NO - advanced)

### Flange for Installation of the Contact and Illumination Blocks



AF3F (3 positions)



AF5F (5 positions)

### Set of Door Tabs and Plastic Tabs 27 x 18 mm



Black and red tab  
 APP30

Transparent tab  
 APP30T

APP60 (double headed pushbuttons)

APP60T (double headed pushbuttons)

### Incandescent Lamps



L6VI-E48-0,6 W (6 V ac/dc)  
 L12VI-E25-1,8 W (12 V ac/dc)  
 L24VI-E26-2 W (24 V ac/dc)  
 L48VI-E27-2 W (48 V ac/dc)  
 L60VI-E28-1,2 W (60 V ac/dc)  
 L130VI-E30-2 W (130 V ac/dc)  
 L220VI-E31-2 W (220 V ac/dc)

### Guard for Emergency Pushbutton



GBES

### Emergency Stop Plate



APE

### Reduction Ring Ø30 mm - Ø22 mm



AR30

Note: 1) Check the maximum number of contact blocks per front part on the catalog of the CSW line, model 50009820.

## Decentralized Control Stations - Hole Ø22 mm



PBW-1Y



PBW-2



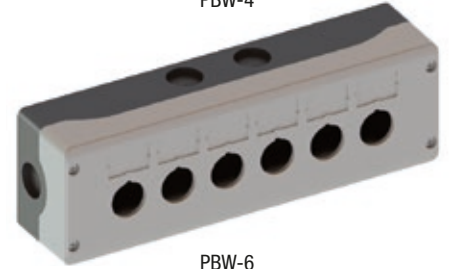
PBW-4



PBW-1



PBW-3



PBW-6

## PBW Line Accessories

### Contact Block



BC01B-CSW 1 NC  
BC10B-CSW 1 NO

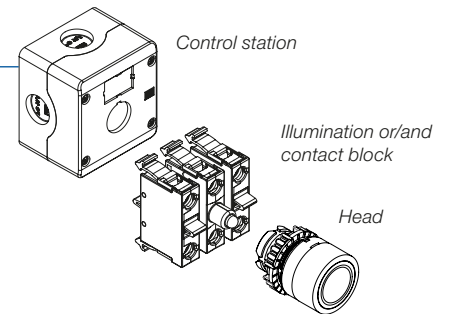
### Illumination Blocks with Integrated LED



○	CSW-BIDLB-0♦	E25 - 12 V ac/dc
●	CSW-BIDLB-1♦	E26 - 24 V ac/dc
●	CSW-BIDLB-2♦	E27 - 48 V ac/dc
●	CSW-BIDLB-3♦	D61 - 110-130 V ac
●	CSW-BIDLB-4♦	C13 - 125 V dc
●	CSW-BIDLB-4♦	D66 - 220-240 V ac

### How to order

- Head
- + Illumination or/and contact block
- + Control station



## Common Accessories

### Pushbutton Protection



APBF (flush and diffuse signal lights)  
APBI (flush illuminated and extended pushbuttons)  
APBD (double headed pushbuttons IP40)  
APB2D (double headed pushbuttons IP66)  
APB2T (triple headed pushbuttons IP66)

### Hole Plug



Round plug for unused Ø22 mm holes

# WEG Worldwide Operations

## ARGENTINA

San Francisco - Cordoba  
Phone: +54 3564 421484  
[info-ar@weg.net](mailto:info-ar@weg.net)

Cordoba - Cordoba  
Phone: +54 351 4641366  
[weg-morbe@weg.com.ar](mailto:weg-morbe@weg.com.ar)

Buenos Aires  
Phone: +54 11 42998000  
[ventas@pulverlux.com.ar](mailto:ventas@pulverlux.com.ar)

## AUSTRALIA

Scoresby - Victoria  
Phone: +61 3 97654600  
[info-au@weg.net](mailto:info-au@weg.net)

## AUSTRIA

Markt Piesting - Wiener  
Neustadt-Land  
Phone: +43 2633 4040  
[watt@wattdrive.com](mailto:watt@wattdrive.com)

## BELGIUM

Nivelles - Belgium  
Phone: +32 67 888420  
[info-be@weg.net](mailto:info-be@weg.net)

## BRAZIL

Jaraguá do Sul - Santa Catarina  
Phone: +55 47 32764000  
[info-br@weg.net](mailto:info-br@weg.net)

## CHILE

La Reina - Santiago  
Phone: +56 2 27848900  
[info-cl@weg.net](mailto:info-cl@weg.net)

## CHINA

Nantong - Jiangsu  
Phone: +86 513 85989333  
[info-cn@weg.net](mailto:info-cn@weg.net)

Changzhou - Jiangsu  
Phone: +86 519 88067692  
[info-cn@weg.net](mailto:info-cn@weg.net)

## COLOMBIA

San Cayetano - Bogota  
Phone: +57 1 4160166  
[info-co@weg.net](mailto:info-co@weg.net)

## ECUADOR

El Batán - Quito  
Phone: +593 2 5144339  
[ceccato@weg.net](mailto:ceccato@weg.net)

## FRANCE

Saint-Quentin-Fallavier - Isère  
Phone: +33 4 74991135  
[info-fr@weg.net](mailto:info-fr@weg.net)

## GERMANY

Türnich - Kerpen  
Phone: +49 2237 92910  
[info-de@weg.net](mailto:info-de@weg.net)

Balingen - Baden-Württemberg  
Phone: +49 7433 90410  
[info@weg-antriebe.de](mailto:info@weg-antriebe.de)

Homburg (Efze) - Hesse  
Phone: +49 5681 99520  
[info@akh-antriebstechnik.de](mailto:info@akh-antriebstechnik.de)

## GHANA

Accra  
Phone: +233 30 2766490  
[info@zestghana.com.gh](mailto:info@zestghana.com.gh)

## INDIA

Bangalore - Karnataka  
Phone: +91 80 41282007  
[info-in@weg.net](mailto:info-in@weg.net)

Hosur - Tamil Nadu  
Phone: +91 4344 301577  
[info-in@weg.net](mailto:info-in@weg.net)

## ITALY

Cinisello Balsamo - Milano  
Phone: +39 2 61293535  
[info-it@weg.net](mailto:info-it@weg.net)

## JAPAN

Yokohama - Kanagawa  
Phone: +81 45 5503030  
[info-jp@weg.net](mailto:info-jp@weg.net)

## MALAYSIA

Shah Alam - Selangor  
Phone: +60 3 78591626  
[info@wattdrive.com.my](mailto:info@wattdrive.com.my)

## MEXICO

Huehuetoca - Mexico  
Phone: +52 55 53214275  
[info-mx@weg.net](mailto:info-mx@weg.net)

Tizayuca - Hidalgo  
Phone: +52 77 97963790

## NETHERLANDS

Oldenzaal - Overijssel  
Phone: +31 541 571080  
[info-nl@weg.net](mailto:info-nl@weg.net)

## PERU

La Victoria - Lima  
Phone: +51 1 2097600  
[info-pe@weg.net](mailto:info-pe@weg.net)

## PORTUGAL

Maia - Porto  
Phone: +351 22 9477700  
[info-pt@weg.net](mailto:info-pt@weg.net)

## RUSSIA and CIS

Saint Petersburg  
Phone: +7 812 363 2172  
[sales-wes@weg.net](mailto:sales-wes@weg.net)

## SOUTH AFRICA

Johannesburg  
Phone: +27 11 7236000  
[info@zest.co.za](mailto:info@zest.co.za)

## SPAIN

Coslada - Madrid  
Phone: +34 91 6553008  
[wegiberia@wegiberia.es](mailto:wegiberia@wegiberia.es)

## SINGAPORE

Singapore  
Phone: +65 68589081  
[info-sg@weg.net](mailto:info-sg@weg.net)

Singapore  
Phone: +65 68622220  
[watteuro@watteuro.com.sg](mailto:watteuro@watteuro.com.sg)

## SCANDINAVIA

Mölnlycke - Sweden  
Phone: +46 31 888000  
[info-se@weg.net](mailto:info-se@weg.net)

## UK

Redditch - Worcestershire  
Phone: +44 1527 513800  
[info-uk@weg.net](mailto:info-uk@weg.net)

## UNITED ARAB EMIRATES

Jebel Ali - Dubai  
Phone: +971 4 8130800  
[info-ae@weg.net](mailto:info-ae@weg.net)

## USA

Duluth - Georgia  
Phone: +1 678 2492000  
[info-us@weg.net](mailto:info-us@weg.net)

Minneapolis - Minnesota  
Phone: +1 612 3788000

## VENEZUELA

Valencia - Carabobo  
Phone: +58 241 8210582  
[info-ve@weg.net](mailto:info-ve@weg.net)

For those countries where there is not a WEG own operation, find our local distributor at [www.weg.net](http://www.weg.net).



WEG Group - Automation Business Unit  
Jaraguá do Sul - SC - Brazil  
Phone: +55 47 3276 4000  
[automacao@weg.net](mailto:automacao@weg.net)  
[www.weg.net](http://www.weg.net)

