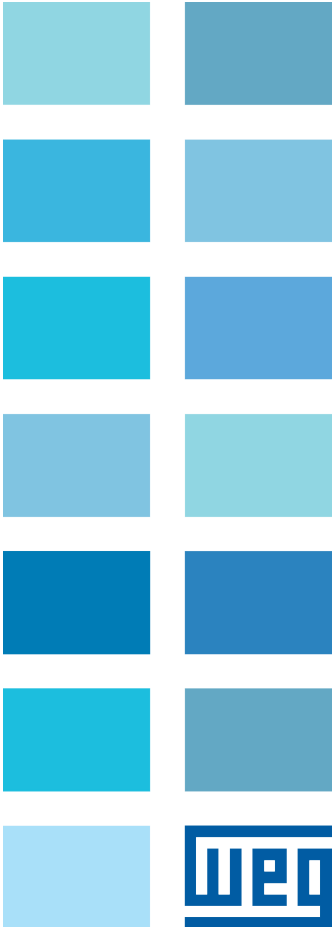
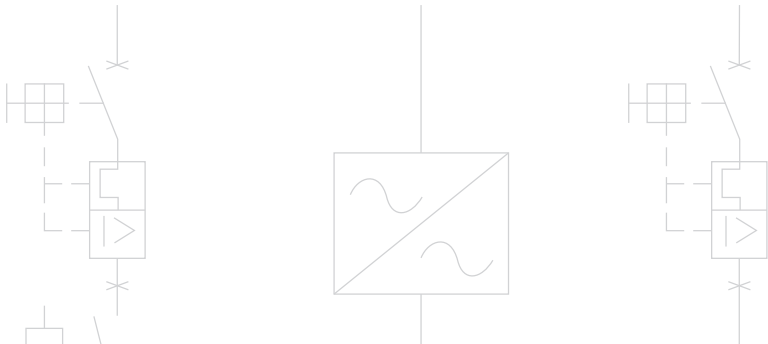


Solutions for Compressor Industry

ESW and PESW Enclosed Starters



Enclosed Starters for the Compressor Market



ESW & PESW

WEG enclosed magnetic starters for Compressor applications.

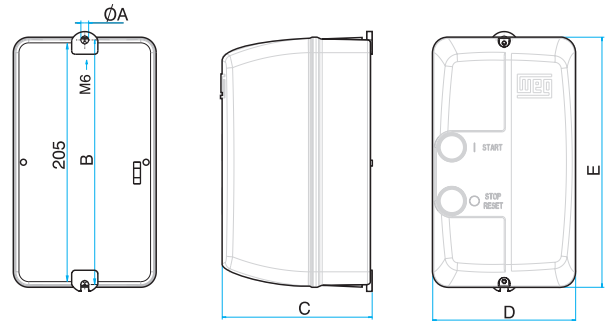
WEG non-combination magnetic starters use WEG CWB series UL listed, HP rated, IEC contactors and overloads factory installed in a Nema 1 or Nema 4X enclosure. These starters come pre-wired for automatic pressure switch operation and are also available with a selector switch for On/ Auto use. Available from 1/4 to 25 HP, they are designed for years of heavy duty operation.

Max. UL Horsepower		Setting	Coil Voltage	Single - Phase Starters			
115v	230v			ESWS NEMA 1	BOX	PESWS NEMA 4/4X	BOX
				Catalog Number		Catalog Number	
N/A	1/10	1.2-1.8	120	ESWS-B9D15E-RM24	M05	PESWS-B9D15E-RM58	05
			208-240	ESWS-B9V24E-RM24		PESWS-B9V24E-RM58	
N/A	1/6	1.8-2.8	120	ESWS-B9D15E-RM25	M05	PESWS-B9D15E-RM59	05
			208-240	ESWS-B9V24E-RM25		PESWS-B9V24E-RM59	
1/8	1/3	2.8-4.0	120	ESWS-B9D15E-RM26	M05	PESWS-B9D15E-RM60	05
			208-240	ESWS-B9V24E-RM26		PESWS-B9V24E-RM60	
1/4	1/2	4.0-6.3	120	ESWS-B9D15E-RM27	M05	PESWS-B9D15E-RM61	05
			208-240	ESWS-B9V24E-RM27		PESWS-B9V24E-RM61	
1/3	1	5.6-8.0	120	ESWS-B9D15E-RM28	M05	PESWS-B9D15E-RM62	05
			208-240	ESWS-B9V24E-RM28		PESWS-B9V24E-RM62	
1/2	1-1/2	7.0-10	120	ESWS-B9D15E-RM29	M05	PESWS-B9D15E-RM63	05
			208-240	ESWS-B9V24E-RM29		PESWS-B9V24E-RM63	
1/2	2	8.0-12.5	120	ESWS-B12D15E-RM30	M05	PESWS-B12D15E-RM64	05
			208-240	ESWS-B12V24E-RM30		PESWS-B12V24E-RM64	
3/4	2	10-15	120	ESWS-B18D15E-RM31	M05	PESWS-B18D15E-RM65	05
			208-240	ESWS-B18V24E-RM31		PESWS-B18V24E-RM65	
1	3	11-17	120	ESWS-B18D15E-RM32	M05	PESWS-B18D15E-RM66	05
			208-240	ESWS-B18V24E-RM32		PESWS-B18V24E-RM66	
1-1/2	3	15-23	120	ESWS-B25D15E-RM33	M05	PESWS-B25D15E-RM67	05
			208-240	ESWS-B25V24E-RM33		PESWS-B25V24E-RM67	
2	5	22-32	120	ESWS-B32D15E-RM34	M05	PESWS-B32D15E-RM68	05
			208-240	ESWS-B32V24E-RM34		PESWS-B32V24E-RM68	
3	7-1/2	32-40	120	ESWS-B38D15E-RM35	M05	PESWS-B38D15E-RM69	05
			208-240	ESWS-B38V24E-RM35		PESWS-B38V24E-RM69	

Max. UL Horsepower		Setting	Coil Voltage	Three - Phase Starters			
230v	460v			ESWS NEMA 1	BOX	PESWS NEMA 4/4X	BOX
				Catalog Number		Catalog Number	
N/A	3/4	1.2-1.8	208-240	ESW-B9V24E-R24	M05	PESW-B9V24E-R58	05
			480	ESW-B9D39E-R24		PESW-B9D39E-R58	
1/2	1	1.8-2.8	208-240	ESW-B9V24E-R25	M05	PESW-B9V24E-R59	05
			480	ESW-B9D39E-R25		PESW-B9D39E-R59	
3/4	2	2.8-4.0	208-240	ESW-B9V24E-R26	M05	PESW-B9V24E-R60	05
			480	ESW-B9D39E-R26		PESW-B9D39E-R60	
1-1/2	3	4.0-6.3	208-240	ESW-B9V24E-R27	M05	PESW-B9V24E-R61	05
			480	ESW-B9D39E-R27		PESW-B9D39E-R61	
2	5	5.6-8.0	208-240	ESW-B9V24E-R28	M05	PESW-B9V24E-R62	05
			480	ESW-B9D39E-R28		PESW-B9D39E-R62	
3	5	7.0-10	208-240	ESW-B9V24E-R29	M05	PESW-B9V24E-R63	05
			480	ESW-B9D39E-R29		PESW-B9D39E-R63	
3	7-1/2	8.0-12.5	208-240	ESW-B12V24E-R30	M05	PESW-B12V24E-R64	05
			480	ESW-B12D39E-R30		PESW-B12D39E-R64	
5	10	11-17	208-240	ESW-B18V24E-R32	M05	PESW-B18V24E-R66	05
			480	ESW-B18D39E-R32		PESW-B18D39E-R66	
7-1/2	15	15-23	208-240	ESW-B25V24E-R33	M05	PESW-B25V24E-R67	05
			480	ESW-B25D39E-R33		PESW-B25D39E-R67	
10	20	22-32	208-240	ESW-B32V24E-R34	M05	PESW-B32V24E-R68	05
			480	ESW-B32D39E-R34		PESW-B32D39E-R68	
10	25	32-40	208-240	ESW-B38D15E-R35	M05	PESW-B38V24E-R69	05
			480	ESW-B38V24E-R35		PESW-B38D39E-R69	
15	25	32-40	208-240	ESW-40V24E-R35	M06	PESW-40V24E-R35	06
			480	ESW-40V47E-R35		PESW-40V47E-R35	
15	30	32-50	208-240	ESW-50V24E-R38	M06	PESW-50V24E-R38	08
			480	ESW-50V47E-R38		PESW-50V47E-R38	
20	40	40-57	208-240	ESW-65V24E-R39	M06	PESW-65V24E-R39	08
			480	ESW-65V47E-R39		PESW-65V47E-R39	
25	50	40-57	208-240	ESW-80V24E-R41	M06	PESW-80V24E-R41	08
			480	ESW-80V47E-R41		PESW-80V47E-R41	

DIMENSIONS - PESW

SIZE 05 mm(in)	SIZE 06 mm (in)	SIZE 08 mm (in)	SIZE 10 mm (in)
øA = 5.5 (0.2165)	øA = 6.5 (0.3)	øA = 6.0 (0.2)	øA = 7.0 (0.3)
B = 219.0 (8.622)	B = 205 (8.1)	B = 275 (10.8)	B = 355 (14.0)
C = 112 (4.4331)	C = 126 (5.0)	C = 143 (5.6)	C = 167 (6.6)
D = 114.0 (4.4882)	D = 120 (4.7)	D = 180 (7.1)	D = 250 (9.9)
E = 217.5 (8.544)	E = 210 (8.3)	E = 280 (11.0)	E = 360 (14.2)



Provision for cable gland fitting	Standard		
	Top	Bottom	Back
Size 04	2 x 1/2" - 3/4" PG13.5	2 x 1/2" - 3/4" PG13.5	4 X 1/2" PG13.5
Size 06		2 x 1/2" and 3/4"	ø22mm (0.9in)
Size 08	2 x 3/4" and 1"	2 x 3/4" and 1"	-
Size 10	2 x 3/4" and 1"	2 x 3/4" and 1"	-
	1 x 1" and 1 1/4"	1 x 1" and 1 1/4"	-

DIMENSIONS - ESW

Provision for cable gland fitting	Standard			
	Top	Bottom	Side	Back
Box M04	2x (1/2" or 3/4")	2x (1/2" or 3/4")	4x (1/2" or 3/4")	2x (1/2" or 3/4")
	1x (3/4" or 1")	1x (3/4" or 1")	-	-
Box M06	1x (1/2" or 3/4")	1x (1/2" or 3/4")	3x (1/2" or 3/4")	-
	2x (1" or 1-1/4")	2x (1" or 1-1/4")	4x (1" or 1-1/4")	-
Box M08	1x (1")	1x (1")	1x (1")	1x (1")
	1x (1-1/2")	1x (1-1/2")	4x (3/4")	-



Dimensions (approx. inches)

Enclosed Starters	Enclosure Size			
	BOX	H	W	D
ESW(S) 9, 12, 18, 25, 32	M04	9.5	5.5	5.0
ESW(S) 40, 50, 65, 80	M06	13.0	7.5	5.6
ESW 95, 105	M08	17.8	9.5	6.7



WEG Electric Corp. offers the following products, and more! With a full range of IEC/NEMA Global Certifications and a full line of products, WEG can supply the right solution for your needs anywhere in the world. To learn more about WEG's products and solutions or to locate a Distributor near you, please call 1-800-ASK-4WEG or visit www.weg.net.

Low Voltage Motors,

Single and 3-Phase, 1/8 – 700HP

- General Purpose Motors
- Explosion Proof Motors
- Crusher Duty Motors
- IEC Tru-Metric Motors
- Pump Motors including JP/JM
- P-Base Pump Motors
- Oil Well Pumping Motors
- Pool & Spa Motors
- Brake Motors
- Compressor Duty Motors
- Farm Duty Motors
- Poultry Fan Motors
- Auger Drive Motors
- IEEE 841 Motors
- Stainless Steel Wash Down Motors
- Saw Arbor Motors
- Cooling Tower Motors
- Commercial HVAC Motors
- Pad Mounted Motors
- Vector Duty Motors

Large Electric Motors

- Low Voltage 3-phase motors up to 2,500HP
- Motors up to 70,000HP and 13,200V
- Wound Rotor Systems (including starters) up to 70,000HP and 13,200V
- Synchronous Motors up to 70,000HP and 13,200V
- Explosion proof motors (Ex-d) up to 1,500kW and 11kV
- Ex-n, Ex-e, Ex-p motors

Variable Frequency Drives

- Low Voltage 1/4 to 2500HP, 230V – 480V
- Medium Voltage 500-8000HP
- Multi-pump systems
- NEMA 4X
- Dynamic braking resistors
- Line and load reactors
- Plug and play technology
- Network communications: Profibus-DP, DeviceNet, Modbus-RTU
- PLC functions integrated
- Complete line of options and accessories

Soft Starters

- 3-1500HP
- Oriented start-up
- Built-in bypass contactor
- Universal source voltage (230-575V, 50/60Hz)
- Network communications: Profibus-DP, DeviceNet, Modbus-RTU
- Complete Line of options and accessories
- MV Soft-starter 3.3kV, 41.6kV: up to 3500HP, Withdrawable Power Stacks, & 8x PT100 Temperature monitoring

Controls

- Mini – Contactors
- IEC Contactors
- Thermal Overload Relays
- Manual Motor Protectors
- Molded Case Circuit Breakers
- Smart Relays
- Enclosed Starters: combination & non-combination,
- Pushbuttons & Pilot Lights
- Timing & Motor Protection Relays
- Terminal Blocks

Custom Panels

- Custom configured to your specification.
- NEMA 1, 12, 3R, 4 and 4X cabinets
- Quick delivery of preconfigured drives and soft starters
- UL 508 certified
- Low Voltage (230-460)
- Made in the U.S.A.

Generators

- Brushless Synchronous Generators for diesel gen-sets up to 4,200kVA
- Hydro-generators up to 25,000kVA
- Turbo-generators up to 62,500kVA

Power Transformers

- Built and engineered in North America
- Voltages < 500kV
- Ratings 5-300MVA
- Station class, oil filled, round core, copper windings
- Special configurations and designs available!
- Ask your WEG Sales Representative for details.
- Designed, built, and engineered to ANSI standards.

Custom Solution Package Sales

- WEG can package any of its products for ease of sale! Enjoy a single point of contact for the entire package of products and assistance from quote through after-sales support. Ask your WEG Sales Representative for details.

Please contact your authorized distributor:



WEG Electric Corp.
6655 Sugarloaf Parkway
Duluth, GA 30097
Phone: 1-800-ASK-4WEG
www.weg.net